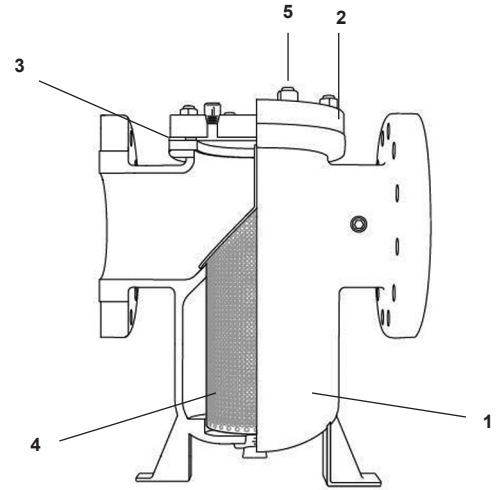


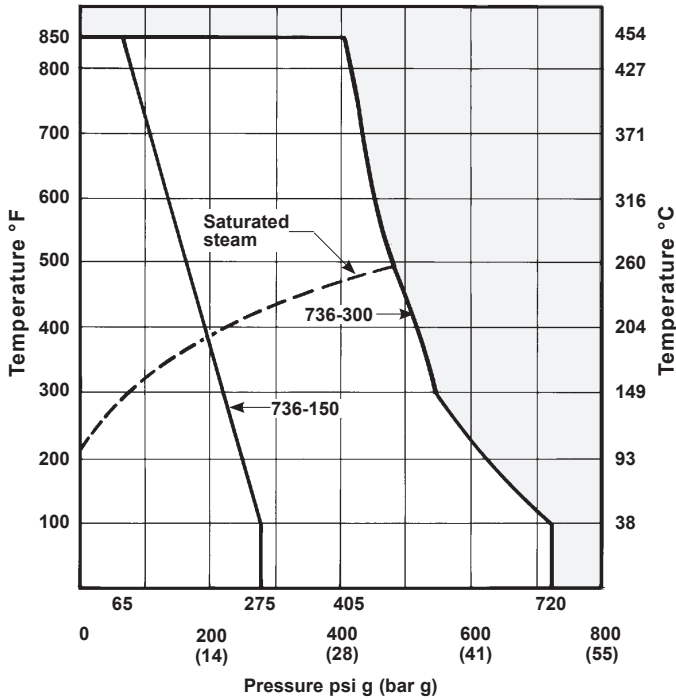


Stainless Steel Basket Strainers 736

Type	736-150	736-300
Sizes	2" to 12"	2" to 8"
Connections	ANSI 150	ANSI 300
Construction	Stainless steel	
Maximum saturated steam pressure	198 psi g	491 psi g
Standard screen		
Steam	2" to 8":	.045 perf
	10" to 12":	.125 perf
Liquid	2" to 4":	.063 perf
	6" and up:	.125 perf



Limiting operating conditions (non-shock)



Referenced standards and codes

Code	Description
ASME/ANSI B16-5	Pipe flanges, flanged fittings and body

*Note: Strainers are not ANSI stamped as standard.

Construction materials

No.	Part	Material	
1	Body	Stainless steel	Type 316 ASTM A351 CF8M
2	Cover	Stainless steel	Type 316 ASTM A351 CF8M
3	Cover gasket	Non-asbestos	
4	Strainer screen	Stainless steel	Type 304 ASTM A240
5	Cover studs	Stainless steel	18-8 Series 300
	Nuts	Stainless steel	18-8 Series 300

Pressure shell design conditions

Pressure/Temperature rating

SS-ASTM A351 GR. CF8M - CLASS 150

WOG:	275 psi @ 100°F
Saturated steam:	150 psi @ 366°F
Maximum liquid:	20 psi @ 1000°F

Pressure/Temperature rating

SS-ASTM A351 GR. CF8M - CLASS 300

WOG:	720 psi @ 100°F
Saturated steam:	300 psi @ 420°F
Maximum liquid:	350 psi @ 1000°F

Stainless steel not recommended for prolonged use above 1000°F

C_v values (GPM)

Size	C _v
1½"	43
2"	43
2½"	86
3"	135
4"	290
6"	780
8"	1600
10"	3250
12"	5200

For water:

$$\text{Pressure drop} = \frac{(\text{GPM})^2}{(\text{Cv})^2}$$

Consult factory for other liquids.

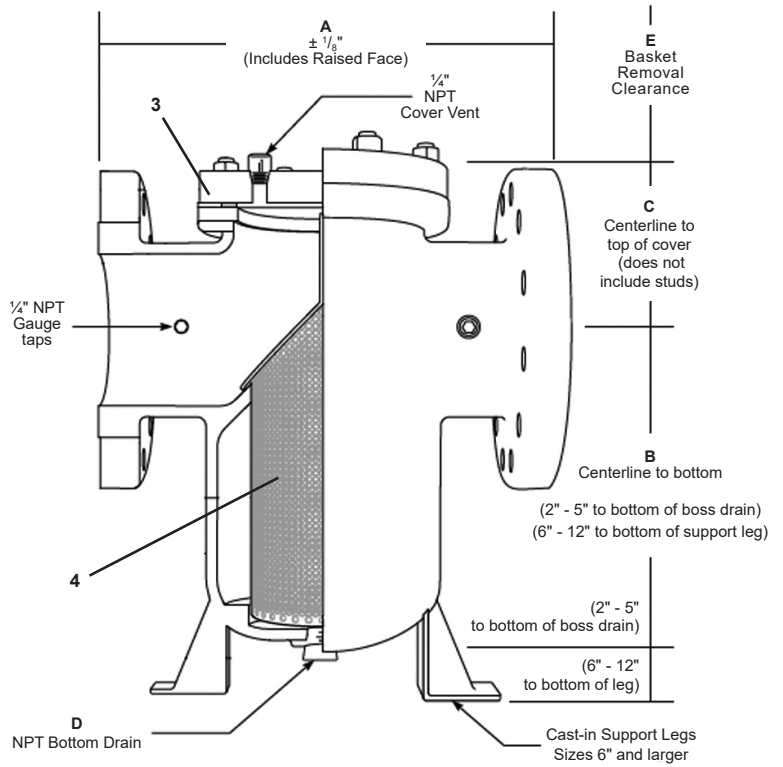
See TI-7-429-US for pressure drops on steam, air and other gases.

Installation

The strainer should be installed with the flow direction as indicated on the body, in a horizontal pipeline. The strainer must be accessible for periodic removal and cleaning of the screen.

Screen	4
Gasket	3

Note: Please provide date code when placing order for spare parts. Contact Technical Support for assistance if needed.



Dimensions (nominal) in inches (and millimeters)

Size	ANSI 150	ANSI 300	ANSI 150	ANSI 300	ANSI 150	ANSI 300	NPT	ANSI 150	ANSI 300	Weight lb/kg	
	A (Face-to-face)		B (Center-line to bottom)		C (Center-line to top)			D	E (Screen removal)		ANSI 150
2"	8.50	8.50	5.88	6.13	5.00	4.91	1/2"		8.00	9.00	24.0
	216	216	150	156	127	125		204	229	10.9	18.1
2 1/2"	8.00	8.68	5.44	6.25	4.75	5.45	3/4"	7.50	10.00	33.0	63.0
	204	221	139	159	121	139		191	254	15	28.5
3"	8.75	9.56	5.25	8.00	5.50	6.08	3/4"	8.50	10.00	38.0	63.0
	223	243	134	204	140	155		216	254	17.2	28.5
4"	11.19	11.88	7.88	8.53	6.13	5.31	1"	11.00	10.00	64.0	108.0
	285	302	201	217	156	135		280	254	29	48.9
6"	13.88	14.75	13.13	12.75	6.75	6.38	1-1/4"	14.50	20.00	128.0	200.0
	353	375	334	324	172	162		369	508	58	90.6
8"	17.38	18.13	16.38	15.63	8.88	8.08	1-1/4"	19.25	20.00	227.0	342.0
	442	461	416	397	226	206		489	508	102.9	155
10"	22.00	n/a	19.38	n/a	10.75	n/a	1 1/2"	22.75	n/a	362.0	n/a
	559	n/a	493	n/a	274	n/a		578	n/a	164	n/a
12"	26.25	n/a	23.75	n/a	13.75	n/a	2"	27.00	n/a	487.00	n/a
	667	n/a	604	n/a	350	n/a		686	n/a	220.7	n/a