

spirax sarco

Low-Profile Pressure Powered Pump™ PPEC

Spirax Sarco Pressure Powered Pump™ is a non-electric pump which transfers high temperature condensate or other liquids from a low point, low pressure or vacuum space to an area of higher pressure or elevation. This self-contained unit uses steam, compressed air or any other suitable pressurized gas as the pumping force. **The standard pressure powered pump will handle liquids from 0.9 to 1.0 specific gravity.**

Body Style	Iron	Steel	316 Stainless Steel
PMO	125 psig		
Sizes	1" & 1-1/2"		
Connections	NPT		
Construction	Cast Iron Body,	Cast Steel Body	Cast Stainless Steel Body
	Stainless Steel Internals, Bronze Check Valves Stainless Steel Ch.valves	Stainless Steel Internals, Stainless Steel Check Valves	
Options	BSP Connections,		S.W. & BSP Connections,
	Pump modified to handle liquids down to 0.65 specific gravity		Pump modified to handle liquids down to 0.65 specific gravity

Operating Characteristics

Pump discharge per cycle – 4.0 gal (15.14 l)
Maximum instantaneous discharge rate – 30 gpm (1.9 l/s)
Steam Consumption – 3 lbs. of steam per 1000 lbs. of liquid pumped.
Air consumption – 100 SCF per 1000 lbs. of liquid pumped.

Accessories

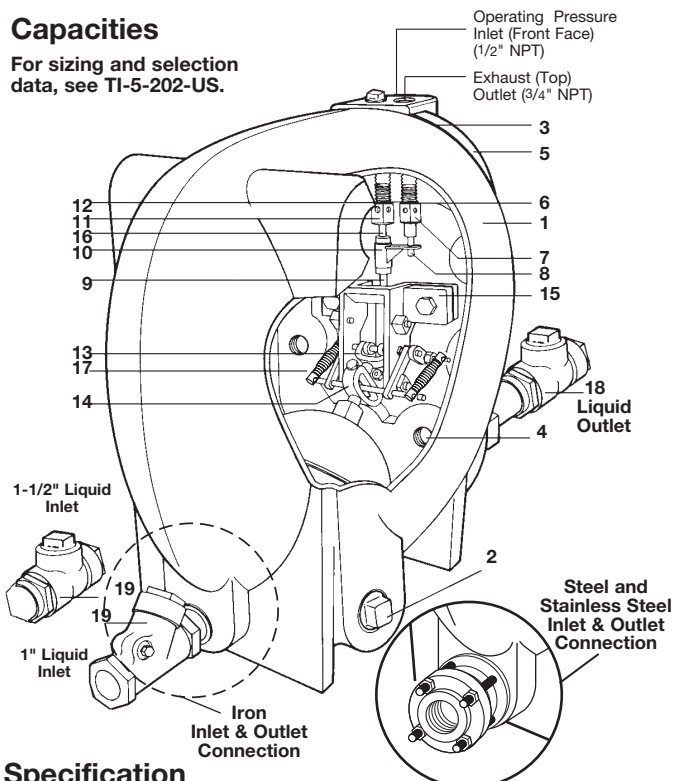
Gauge glass with brass cocks for iron pumps, steel cocks for steel pumps, and stainless steel cocks for stainless steel pumps; Pump insulation cover.

Construction Materials

No.	Body Style	Part	Material		
1	Iron Steel 316 SS	Body	Cast Iron Cast Steel Cast 316 Stainless Steel		
		ASTM A126 CL B			
		ASTM A216 WCB	ASTM A351 CF8M		
2	Iron Steel 316 SS	Plug 3/8"	Forged Steel		
		Plug 1/2"	Forged Steel		
		Plug 1/2"	Forged 316 Stainless Steel		
3	All	Cover Gasket	Graphite		
4	Iron Steel 316 SS	Cover Screws	Steel Steel Stainless Steel		
		5	Iron Steel 316 SS	Cover	Iron Steel Stainless Steel
		ASTM A126 CL B	ASTM A216 WCB	ASTM A351 CF8M	
6	All	Exhaust Valve Seat Gasket	Stainless Steel		
7	All	Exhaust Valve Seat	Stainless Steel		
8	All	Exhaust Valve Head	Stainless Steel		
9	All	Push Rod	Stainless Steel		
10	All	Valve Head Actuator	Cast Stainless Steel		
11	All	Inlet Valve Seat	Stainless Steel		
12	All	Inlet Valve Seat Gasket	Stainless Steel		
13	All	Push Rod Actuator	Stainless Steel		
14	All	Float & Arm	Stainless Steel		
15	All	Mechanism Casting	Cast Stainless Steel		
		Screws 1/2" – 13 x 1-1/4	Stainless Steel		
16	All	Inlet Valve	Stainless Steel		
17	All	Spring	Inconel		
18	All	Lift Check Valve (outlet)	Bronze with bronze disc		
		Wafer Check Vlv (outlet)	Austenitic stainless steel		
		1" Swing Check Vlv (inlet)	Bronze with teflon disc		
19	All	1-1/2" Lift Check Vlv (inlet)	Bronze with bronze disc		
		1" & 1-1/2" Wafer Check Vlv (inlet)	Austenitic stainless steel		

Capacities

For sizing and selection data, see TI-5-202-US.



Limiting Operating Conditions

Max. Operating Pressure (PMO) 125 psig (9 barg)
Minimum motive pressure required: 5 psig (0.34 barg)

Specific Gravity of pumped liquid - 0.9 to 1.0
Specific Gravity of pumped liquid options - 0.89 to 0.8 & 0.79 to 0.65
Filling head recommended above pump is 6" (152 mm) See TIS 5.202

Pressure Shell Design Condition

PMA	Iron	125 psig /0-450°F	9 barg/0-232°C
Max. allowable pressure	Steel	285 psig /0-650°F	19 barg/343°C
	316 SS	220 psig /0-400°F	15 barg/204°C

TMA	Iron	450°F/0-125 psig	232°/0-9 barg
Max. allowable temperature	Steel	750°F/240 psig	399°C/16 barg
	316 SS	850°F/180 psig	454°C/12 barg

Note: Consult factory for PMA and TMA when using gauge glass.

For increased service life, operate pump with motive pressure 15-20 psig above pump back pressure.

Local regulation may restrict the use of this product below the conditions quoted. Limiting conditions refer to standard connections only.

In the interests of development and improvement of the product, we reserve the right to change the specification.

Installation

For generic hook-up sketch, see TI-5-202-US. Full details are given in IM-5-200-US, which accompanies the product.

TI-5-218-US 3.17

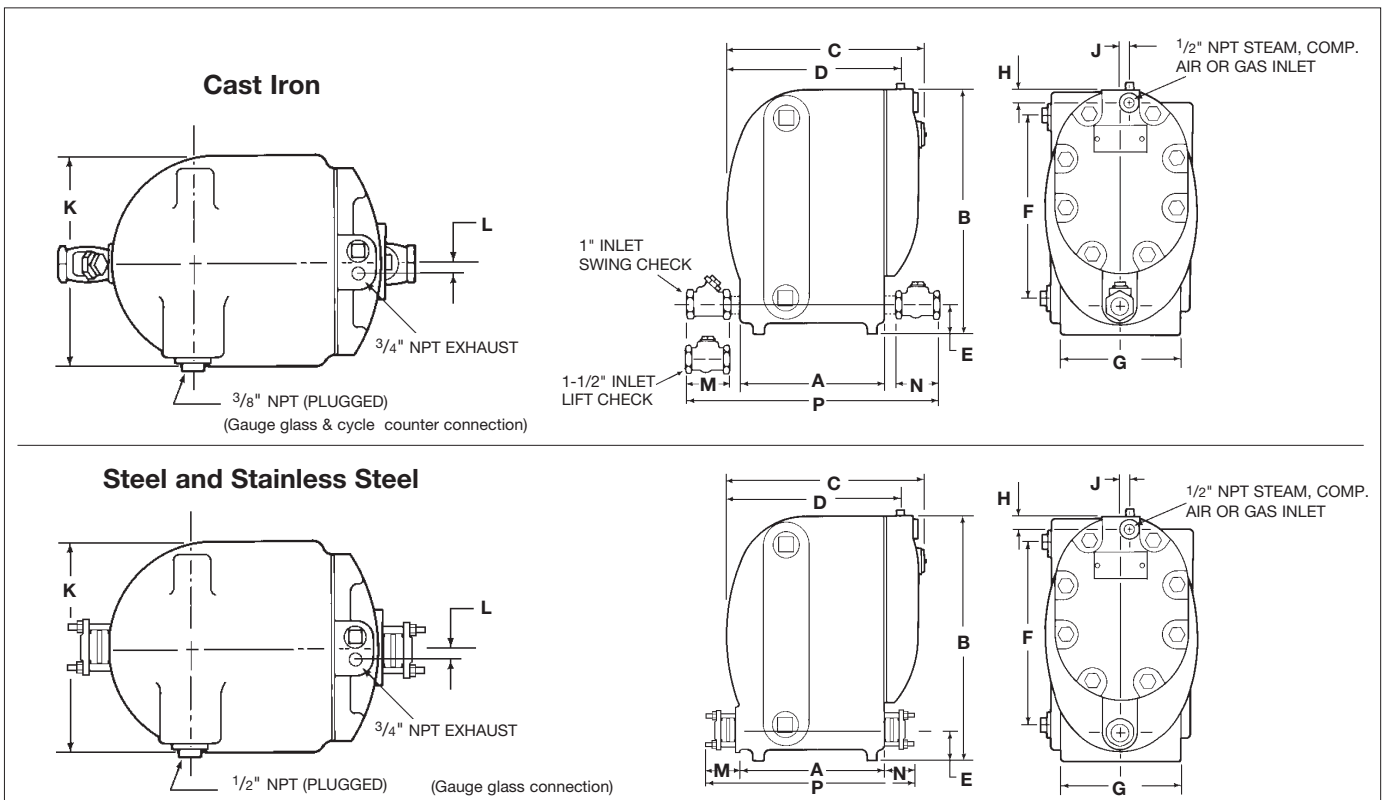
Low-Profile Pressure Powered Pump™ PPEC

Dimensions (nominal) in inches and millimeters

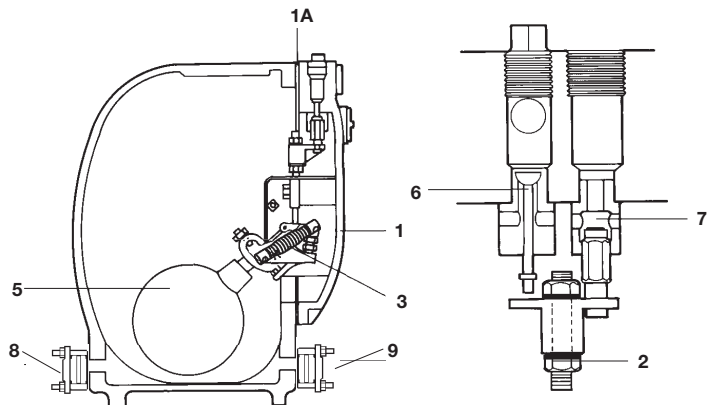
Size	Style	A	B	C	D	E	F	G	H	J	K	L	M	N	P	Pump with Check Valve Package*
1"	Iron	11.0	18.9	14.6	13.1	2.1	14.0	9.0	1.1	.6	11.5	.6	3.6	3.4	20.3	154 lb
	Brz Ch.valve	279	480	371	333	53	356	229	29	16	292	16	91	86	516	70 kg
1-1/2"	Iron	11.0	18.9	14.6	13.1	2.1	14.0	9.0	1.1	.6	11.5	.6	4.3	4.3	23.1	155 lb
	Brz Ch.valve	279	480	371	333	53	356	229	29	16	292	16	108	108	587	70 kg
1"	Iron	11.0	18.9	14.6	13.1	2.8	14.0	9.0	1.1	.6	11.5	.6	3.3	3.3	19.4	154 lb
	SS Ch.valve	279	480	371	333	71	356	229	29	16	292	16	84	84	493	70 kg
1-1/2"	Iron	11.0	18.9	14.6	13.1	2.8	14.0	9.0	1.1	.6	11.5	.6	4.8	4.8	23.8	155 lb
	SS Ch.valve	279	480	371	333	71	356	229	29	16	292	16	121	121	605	70 kg
1"	Steel	11.7	19.6	14.6	13.1	2.8	14.0	9.0	1.1	.6	11.6	.6	2.1	2.1	15.9	166 lb
		297	498	371	333	70	356	229	29	16	294	16	54	54	405	75 kg
1-1/2"	Steel	11.7	19.6	14.6	13.1	2.8	14.0	9.0	1.1	.6	11.6	.6	2.7	2.7	17.1	171 lb
		297	498	371	333	70	356	229	29	16	294	16	69	69	434	78 kg
1"	316 SS	11.7	19.6	14.6	13.1	2.8	14.0	9.0	1.1	.6	11.6	.6	2.1	2.1	15.9	166 lb
		297	498	371	333	70	356	229	29	16	294	16	54	54	405	75 kg
1-1/2"	316 SS	11.7	19.6	14.6	13.1	2.8	14.0	9.0	1.1	.6	11.6	.6	2.7	2.7	17.1	171 lb
		297	498	371	333	70	356	229	29	16	294	16	69	69	434	78 kg

Note: Cover/Mechanism withdrawal distance – 12" - 305 mm
Iron Cover/Mechanism assembly – 35 lb (16 kg)

* For gauge glass assembly on cast iron unit, add 5 lbs (2.3 kg).
For gauge glass assembly on steel or stainless steel unit, add 23 lbs (10.4 kg).



Cover only for PPEC	1
Cover Gasket for PPEC	1A
Push rod repair kit for PPEC	2
Spring Assembly for PPEC	3
Float only for PPEC	5
Inlet Valve Head,	6
Seat & Gasket for PPEC	
Exhaust Valve Head, Seat & Gasket for PPEC	7
Mechanism Rebuild Kit (Not Shown) See IM-5-203/3	
Bronze Inlet Check Valve for PPEC	8
Bronze Outlet Check Valve for PPEC	9
Stainless Steel Water Check Valve	8 / 9
Cover & Complete Mechanism Assembly for PPEC	



TI-5-218-US 3.17