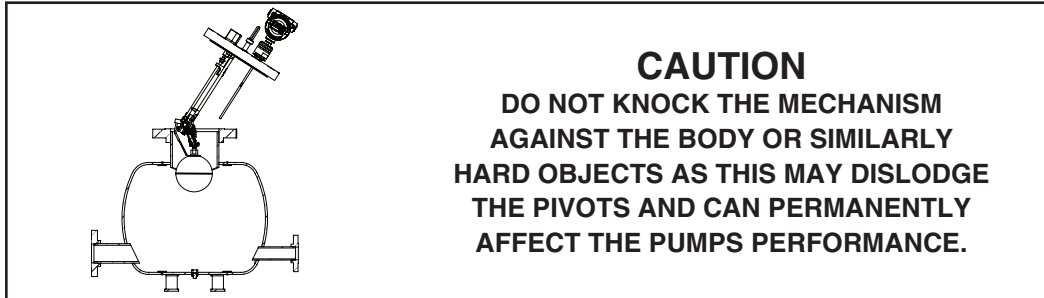


PTF - HP Pivotrol Pump[®] patent pending Featuring Reliable PowerPivot[®] Technology



CAUTION
DO NOT KNOCK THE MECHANISM AGAINST THE BODY OR SIMILARLY HARD OBJECTS AS THIS MAY DISLODGE THE PIVOTS AND CAN PERMANENTLY AFFECT THE PUMPS PERFORMANCE.

Safety Information

Safe operation of these products can be guaranteed only if they are properly installed, commissioned, used and maintained by qualified personnel (see point 11 on this document) in compliance with the operating instructions. General installation and safety instructions for pipeline and plant construction, as well as the proper use of tools and safety equipment, must also be complied with.

1. Intended use

Referring to the Installation and Maintenance Instructions, Nameplate and Technical Information Sheet, check that the product is suitable for the intended use/application. The products listed below comply with the requirements of the European Pressure Equipment Directive 97/23/EC and carry the **CE** mark when so required. The products fall within the following Pressure Equipment Directive categories:

Product	Group 2 Gases	
	Iron	Steel
PTF-HP	N/A	2

- I) The products have been specifically designed for use on steam, air and inert industrial gases which are in Group 2 of the above mentioned Pressure Equipment Directive. The product's use on other fluids may be possible but, if this is contemplated, Spirax Sarco should be contacted to confirm the suitability of the product for the application being considered.
- II) Check material suitability, pressure and temperature and their maximum and minimum values. If the maximum operating limits of the product are lower than those of the system in which it is being fitted, or if malfunction of the product could result in a dangerous overpressure or overtemperature occurrence, ensure a safety device is included in the system to prevent such over-limit situations.
- III) Determine the correct installation situation and direction of fluid flow.

- IV) Spirax Sarco products are not intended to withstand external stresses that may be induced by any system to which they are fitted. It is the responsibility of the installer to consider these stresses and take adequate precautions to minimise them.
- V) Remove protective covers from all connections before installation.

2. Access

Ensure safe access and if necessary a safe working platform (suitably guarded) before attempting to work on the product. Arrange suitable lifting gear if required

3. Lighting

Ensure adequate lighting, particularly where detailed or intricate work is required.

4. Hazardous liquids or gases in the pipeline

Consider what is in the pipeline or what may have been in the pipeline at some previous time. Consider; flammable materials, substances hazardous to health, extremes of temperature.

5. Hazardous environment around the product

Consider; explosion risk areas, lack of oxygen (e.g. tanks, pits), dangerous gases, extremes of temperature, hot surfaces, fire hazard (e.g. during welding), excessive noise, moving machinery.

6. The system

Consider the effect on the complete system of the work proposed. Will any proposed action (e.g. closing isolation valves, electrical isolation) put any other part of the system or any personnel at risk? Dangers might include isolation of vents or protective devices or the rendering ineffective of controls or alarms. Ensure isolation valves are turned on and off in a gradual way to avoid system shocks.

7. Pressure systems

Ensure that any pressure is isolated and safely vented to atmospheric pressure. Consider double isolation (double block and bleed) and the locking or labelling of closed valves. Do not assume that the system has depressurised even when the pressure gauge indicates zero. Allow internal pressure to equal atmospheric pressure and its surface temperature to reach room temperature before attempting any maintenance on steam systems.

8. Temperature

Allow time for temperature to normalise after isolation to avoid danger of burns.

9. Tools and consumables

Before starting work ensure that you have suitable tools and/or consumables available. Use only genuine Spirax Sarco replacement parts.

10. Protective clothing

Consider whether you and/or others in the vicinity require any protective clothing to protect against the hazards of, for example, chemicals, high/low temperature, radiation, noise, falling objects, and dangers to eyes and face.

11. Permits to work

All work must be carried out or be supervised by a suitably competent person. Installation and operating personnel should be trained in the correct use of the product according to the Installation and Maintenance Instructions. Where a formal 'permit to work' system is in force it must be complied with. Where there is no such system, it is recommended that a responsible person should know what work is going on and, where necessary, arrange to have an assistant whose primary responsibility is safety. Post 'warning notices' if necessary.

12. Handling

Manual handling of large and/or heavy products may present a risk of injury. Lifting, pushing, pulling, carrying or supporting a load by bodily force can cause injury particularly to the back. You are advised to assess the risks taking into account the task, the individual, the load and the working environment and use the appropriate handling method depending on the circumstances of the work being done.

13. Residual hazards

In normal use the external surface of the product may be very hot. If used at the maximum permitted operating conditions the surface temperature of some products may reach temperatures in excess of 450°F. Many products are not self-draining. Take due care when dismantling or removing the product from an installation (refer to "Maintenance Instructions").

14. Freezing

Provision must be made to protect products which are not self draining against frost damage in environments where they may be exposed to temperatures below the freezing point.

15. Disposal

Unless otherwise stated in the Installation and Maintenance Instructions, this product is recyclable and no ecological hazard is anticipated with its disposal providing due care is taken.

16. Returning Products

Customers and stockists are advised that under EC Health, Safety and Environment Law, when returning products to Spirax Sarco they must provide information on any hazards and the precautions to be taken due to contamination residues or mechanical damage which may present a health, safety or environmental risk. This information must be provided in writing including Health and Safety data sheets relating to any substances identified as hazardous or potentially hazardous.

Operating Pressure Range 5 to 300 psig (.34 to 20.7 barg)

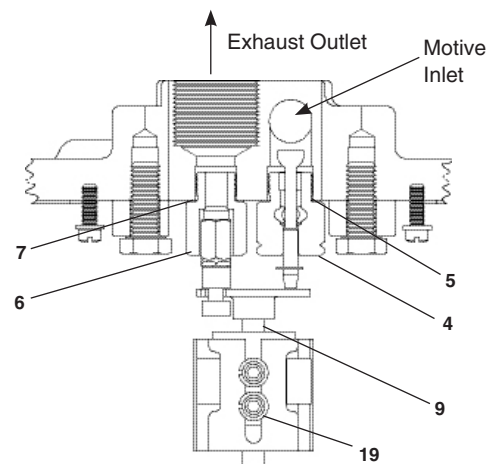
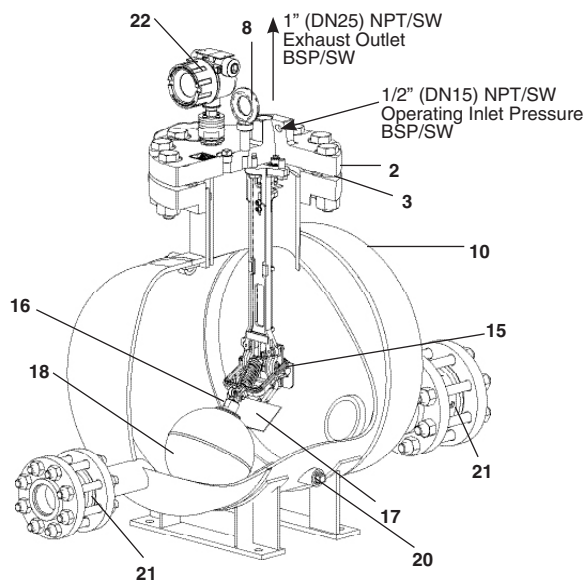


Figure 1

How The Pivotrol Pump® Operates

1. In the normal position before start up the float (18) is at its lowest position with the steam inlet valve (4) is closed, the exhaust valve (6) is open.
2. When liquid flows, by gravity, through the inlet check valve (21) in to the pump body, the float (18) will become buoyant and rise.
3. As the float (18) continues to rise the float arm assembly (14) is engaged which increases the compression in the spring (13). When the float (18) has risen to its upper tripping position the energy in the spring is released instantaneously causing the float arm assembly (14) to snap upwards over center moving the push rod (9) upwards to simultaneously open the steam inlet valve (4) and close the exhaust valve (6).
4. Steam will now flow through the steam inlet valve (4) and develop a pressure within the body forcing the liquid out through the discharge check valve (21). The inlet check valve (21) will be closed during the discharge cycle.
5. As the liquid level in the pump body lowers so does the float's (18) position. Before the float (18) reaches its lowest position the float arm assembly (14) is engaged increasing the compression in the spring (13). When the float (18) is at its lower tripping position in the body the energy in the spring (13) is released instantaneously causing the float arm assembly (14) to snap over center downward moving the push rod (9) down causing the steam inlet valve (4) to close and exhaust valve (6) to open simultaneously.
6. Liquid will again flow through the inlet check valve (21) to fill the pump body and the cycle will be repeated.

Installation — Vented Systems (Fig. 2)

Vent to atmosphere. Vent to be piped to a safe location such that there is no risk to personnel. Vent head recommended if vent not piped to a pit or similar location.

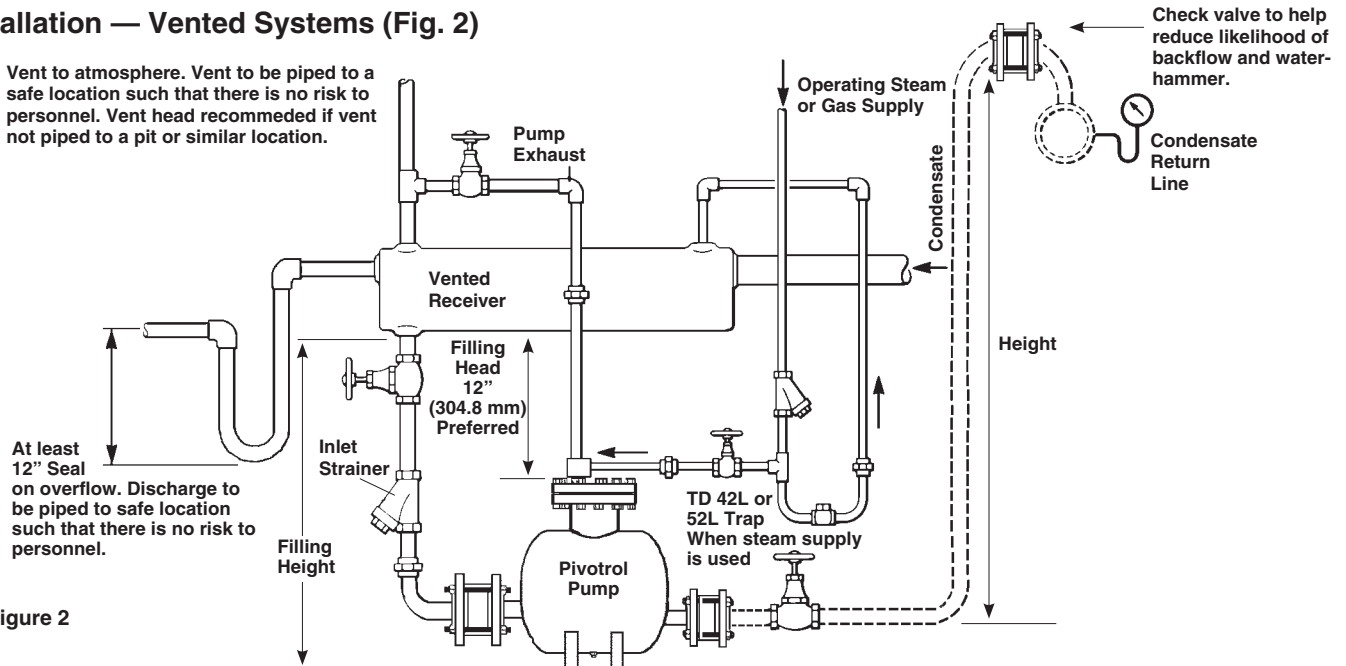


Figure 2

Recommended installation of Pivotrol® Pump when fitted with a reservoir or vented receiver. In an “open” system flash steam must be vented or condensed ahead of pump inlet. Application details will dictate which of the following options will be necessary to accomplish this.

Caution: Before installation or any maintenance is performed, ensure that all condensate, steam, air or gas lines are closed to prevent personal injury.

It is highly recommended by Spirax Sarco that an adequately sized overflow is fitted to all condensate receivers. This should be considered best practice and overflows should only be excluded from installations in exceptional circumstances. Discharge from both overflows and vent pipes MUST be piped to a safe location, such that there is no risk to personnel. In the event of pump or system malfunction or overload, very hot condensate may be discharged from the overflow, or the vent pipe, or both. Where the vent pipe is not piped to a pit, or similar safe location, the use of a vent head to reduce the chance of entrained hot condensate spraying out of the vent is recommended.

Overview Connection — Overflow piping must be used on a vented system. Over-flow connections are required to ensure that in the event of pump or system malfunction, condensate will run in a controlled manner, from the condensate receiver to a safe location, such as a drain (subject to temperature and local regulations) or to an alternative safe location. The overflow piping must be a ‘U’ bend water seal which has a 12” minimum depth. Once primed on start-up the water seal is self-filling and should be piped to a suitable drain. The addition of the overflow provides a safety mechanism ensuring the pressure within the receiver does not increase. The overflow is also a tool to diagnose system problems. In the event of the overflow spilling fluid the operator

is immediately made aware of a system problem. This could include failed traps feeding the package failed pump and changes in system loads and overloaded receiver.

Pump or system malfunction which could cause the receiver to overflow, can occur for many reasons. These including, loss of motive steam due to blockage or incorrect operation, mechanical failure of the pump mechanism or associated check valves, blockage of the condensate inlet strainer or closure of the pumped return line and system shutdowns.

Over-flows will normally be a minimum of 1 1/2 “ (DN40) in diameter, but may need to be larger for high capacity units such as packaged PTF4, or where the length of over flow pipe run, between receiver and discharge point, is more than 2 meters (6 ft.). A general “rule of thumb” (based on a 2 m (6 ft.) pipe run and a head of 0.6 m (2 ft.).

Condensate loads from zero to 5000 l/hr. (zero to 11000 lb. /hr.) use 1½”

Condensate loads from 5000 l/hr. to 10000 l/hr. (11000 to 22000 lb. / hr.) use 2”

Condensate loads from 10000 to 18000 l/hr. (22000 to 39600 lb. /hr.) use 3”

Normally over-flow connections will be fitted with a “loop seal” arrangement or a suitably sized float trap, to prevent steam escaping via the over-flow connection.

1. Install the pump physically below the receiver to be drained with the exhaust connection vertically upwards. Pump should be installed with the recommended filling head (the vertical distance between the top of the pump and the bottom of the receiver) as shown in Fig. 2. For other filling head variations, see the capacity table on TI-5-030-US.

Recommended Maximum Filling Head: 60" (1524 mm) Standard Filling Head: 12" (304.8 mm) Minimum Filling Head: 0" (0 mm)

Limiting Operating Conditions

Filling Head Requirements		Filling Head Above Pump Cover	Filling Height From base of Pump
Standard recommended	PTF-HP	12" (305mm)	42.8" (1087mm)
Max filling head	PTF-HP	60" (1524mm)	90.8" (2306mm)
Min filling head	PTF-HP	0" (0mm)	30.8" (782mm)
Max Number of Cycles per minute = 6			
Specific gravity of pumped liquid options = 0.88 to 1.0			

2. To prevent equipment flooding during the pump discharge stroke, a vented receiver should be installed in a horizontal plane ahead of the pump as shown in Figure 2. For proper receiver sizing, refer to table 1. All inlet line fittings must be fully ported.

Vented Receivers

To drain condensate from single or multiple sources in an "open" system, a vented receiver should be installed in a horizontal plane ahead of the pump. Sufficient volume is needed above the filling head level to accept the condensate reaching the receiver during the pump discharge stroke. More importantly, the receiver must be sized to allow sufficient area for complete flash steam separation from the condensate. The chart below shows proper vented receiver sizing (per criteria set forth in the A.S.H.R.A.E. Handbook) based on the amount of flash steam present. By sizing the receiver as shown below, there will be sufficient volume for condensate storage and sufficient area for flash steam separation. The receiver can be a length of large diameter pipe or a tank.

A receiver overflow piping should be installed as shown in Fig. 2 and piped to a suitable drain. The piping must form a loop type water seal at least 12" (304.8 mm) deep immediately after the receiver.

Flash Steam Up to	Pump Size—up to 3" x 2"		Vent Line Diameter
	Diameter	Length	
75 pph (34 kgh)	3" (DN80)	30" (762)	1-1/2" (DN40)
150 pph (68 kgh)	4" (DN100)	30" (762)	2" (DN50)
300 pph (36 kgh)	6" (DN150)	36" (915)	2-1/2" (DN65)
600 pph (272 kgh)	8" (DN200)	36" (915)	3" (DN80)
900 pph (408 kgh)	10" (DN250)	36" (915)	4" (DN100)
1200 pph (544 kgh)	12" (DN300)	36" (915)	5" (DN125)
2000 pph (907 kgh)	16" (DN400)	36" (915)	6" (DN150)
3000 pph (1360 kgh)	24" (DN600)	60" (1524)	8" (DN200)

Table 1

3. Connect the vented receiver to the inlet check valve on the pump. Connect the discharge to the return main or other installation point. For best performance, horizontal runs immediately ahead of the inlet check valve should be kept to a minimum. Connect the discharge to the return main or other installation point. **Where the return line rises to a high level directly after leaving the pump a second check valve should be fitted at the highest point, either in the horizontal or vertical run, to prevent water from falling back on the outlet check valve of the pump and reducing its service life. This prevents waterhammer in the condensate return line.**

Note: **To achieve rated capacity and maintain the pumps warranty, each pump must be installed with the check valves as supplied by Spirax Sarco Inc, except at the inlet on a sump pit application as shown in fig 9.**

4. Connect the operating medium (steam, air or gas) supply inlet in the cover. Supply main should have a strainer and steam trap (steam service) or drain trap (air or gas service) installed upstream of the supply inlet. The steam trap / drain discharge should be piped into the receiver ahead of the pump for steam systems. **For increased service life operate the pump with motive pressures of 15 to 20 psig (1 to 1.38 bar) above the pump back pressure, while ensuring the maximum required pump capacity is still achieved.**

Note: *When available motive pressure exceeds 200 psig (13.8 bar), a Spirax Sarco pressure reducing valve is required to reduce pressure to the pump. The PRV should be located as far from the pump as possible. For best operation, motive pressure should be reduced to the minimum required to overcome pump back pressure and achieve the desired capacity. A safety relief valve should be installed at the connection provided in the pump cover or in the motive supply piping.*

5. Any horizontal runs in the exhaust line should be pitched so that the line is self-draining. The exhaust line should be piped, unrestricted, to atmosphere as shown in Figure 2.

Installation — Closed Loop Systems (Figs. 3 & 4)

A closed-loop installation is one in which the exhaust line of the pump is piped back (pressure equalized) to the reservoir being drained.

Caution: Before installation or any maintenance is performed, ensure that all steam, condensate, air or gas lines are closed to prevent personnel injury.

1. Install the pump physically below the equipment being drained with the exhaust connection vertically upwards. Pump should be installed with the recommended filling head (the vertical distance between the top of the pump and the bottom of the reservoir) as shown in Fig. 3. For other filling head variations, see Capacity Table on TI-5-030-US

Recommended Maximum Filling Head: 60" (1524 mm) Standard Filling Head: 12" (305 mm) Minimum Filling Head: 0" (0 mm)

Limiting Operating Conditions

Filling Head Requirements		Filling Head Above Pump Cover	Filling Height From base of Pump
Standard recommended	PTF-HP	12" (305mm)	42.8" (1087mm)
Max filling head	PTF-HP	60" (1524mm)	90.8" (2306mm)
Min filling head	PTF-HP	0" (0mm)	30.8" (782mm)
Max Number of Cycles per minute = 6			
Specific gravity of pumped liquid options = 0.88 to 1.0			

2. To prevent equipment flooding during the pump discharge stroke, a reservoir pipe should be installed in a horizontal plane ahead of the pump as shown in Fig. 3. For proper reservoir sizing, refer to "Inlet Reservoir Piping" table 2 shown on this page. All inlet line fittings must be fully ported. If desired, overflow piping can be installed using a properly sized float and thermostatic trap. The trap inlet should be located at the maximum allowable water level, at or near the top of the reservoir, and it should discharge to a suitable drain.
3. For best performance, horizontal piping runs immediately ahead of the inlet check valve should be kept to a minimum. Connect the discharge to the return main or other installation point. **Where the return line rises to a high level directly after leaving the pump a second check valve should be fitted at the highest point, either in the horizontal or vertical run, to prevent water from falling back on the outlet check valve of the pump and reducing its service life. This prevents waterhammer in the condensate return line.**

Note: To achieve rated capacity, and maintain the pumps warranty, pump must be installed with check valves as supplied by Spirax Sarco, Inc.

4. Connect the operating medium (steam only) supply to the motive supply inlet in the cover. Supply main should have a strainer and steam trap installed upstream of the supply inlet. The steam trap discharge should be piped to the downstream piping (Non-flooded).

Note: When available motive pressure exceeds 200 psig (13.8 bar), a Spirax Sarco pressure reducing valve is required to reduce pressure to the pump. The PRV should be located as far from the pump as possible. For best operation, motive pressure should be reduced to the minimum required to overcome backpressure and achieve desired capacity. A safety relief valve should be installed at the connection provided in the pump cover or in the motive steam supply piping.

5. Exhaust line must be piped, unrestricted, to the top of the reservoir in order to equalize all pressures and ensure condensate drains by gravity. On vacuum systems the exhaust line may be connected to the steam space being drained. A thermostatic air vent should be installed at the highest point of the exhaust line to vent all non-condensibles during start-up. Any horizontal runs in the exhaust line should be pitched so that the line is self-draining.
6. If at any time the backpressure against the pump is less than the pressure in the equipment being drained, a properly sized float and thermostatic trap must be installed between the pump and discharge check valve as shown in Figure 4.

Inlet Reservoir Piping

To drain condensate from a single piece of equipment in a "closed system", a reservoir should be installed in a horizontal plane ahead of the pump. Sufficient reservoir volume is needed above the filling head level to accept condensate reaching the pump during the discharge stroke. The chart below shows minimum reservoir sizing, based on condensate load, needed to prevent equipment flooding during the pump discharge stroke. The reservoir can be a length of large diameter pipe or a tank shown in Table 2.

Liquid	Pump Size—3" x 2"								
	Pipe Size								
Lb. per Hr.	1-1/2"	2"	3"	4"	6"	12"	16"	20"	24"
500 or less	2'								
1000	3'	2'							
1500	5'	3'							
2000	6'	4'	2'						
3000		6'	3'						
4000		8'	3.5'	2'					
5000		10'	4.5'	2.5'					
6000			5.5'	3'					
7000			6'	3.5'					
8000			7'	4'					
9000			8'	4.5'	2'				
10,000			9'	5'	2.2'				
11,000			10'	5.5'	2.4'				
20,000						10'	7'	4'	
30,000							9'	6'	4'

Table 2

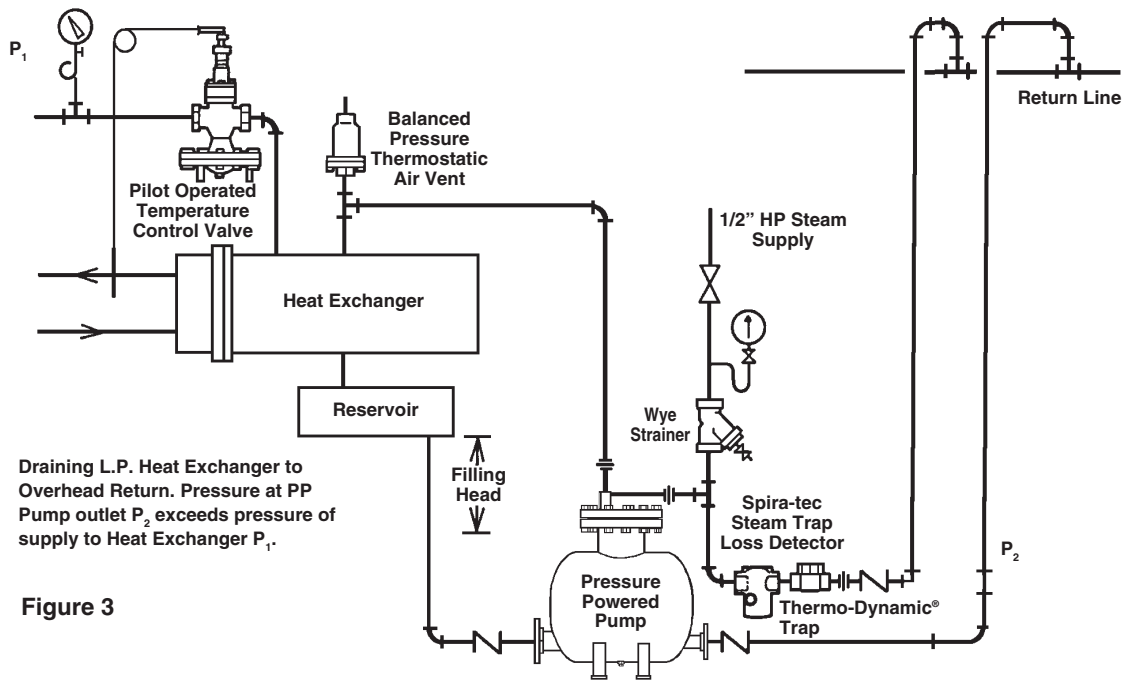
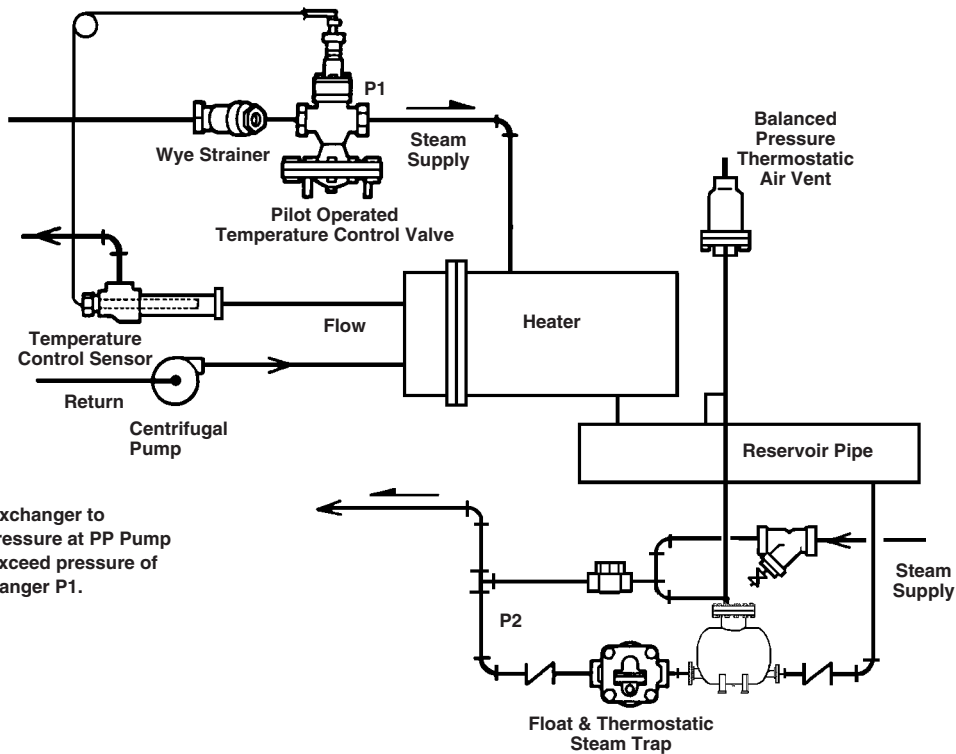


Figure 3



Draining L.P. Heat Exchanger to Overhead Return. Pressure at PP Pump outlet P2 does not exceed pressure of supply to Heat Exchanger P1.

Figure 4

Installation—Multiple Pressure Powered Pumps™

To ensure even wear and extended service life of each of the pumps in a multiple pump set the pumps should not be staged so that a primary pump operates continuously and the secondary pump seldom operates. Each pump should be piped to ensure even operation of each pump. When piping multiple pumps into a single return line an additional check valve should be fitted in the single return line to reduce the likelihood of waterhammer in the return line due to high flowrates and velocities induced during multiple pump discharge cycles.

Startup Procedure (All Hookups)

1. Slowly open supply (steam, air or gas) to provide pressure at the PP Pump inlet valve. Check that trap/drain on motive line is operational.
2. Open gate valves in the PP Pump inlet and discharge lines.
3. Open valve(s) ahead of unit allowing condensate to enter the receiver/reservoir and fill the PP Pump body. Pump will discharge when full.
4. Observe operation for any abnormalities. PP Pump(s) should cycle periodically with an audible exhaust at the end of the pumping cycle. If any irregularities are observed, recheck installation instructions for proper hookup. Consult factory if necessary.
5. If overflow piping has been provided, check that a water seal has been established to prevent any steam from being vented during normal operation. Prime overflow piping if necessary.

Maintenance: Inspection & Replacement.

CAUTION:

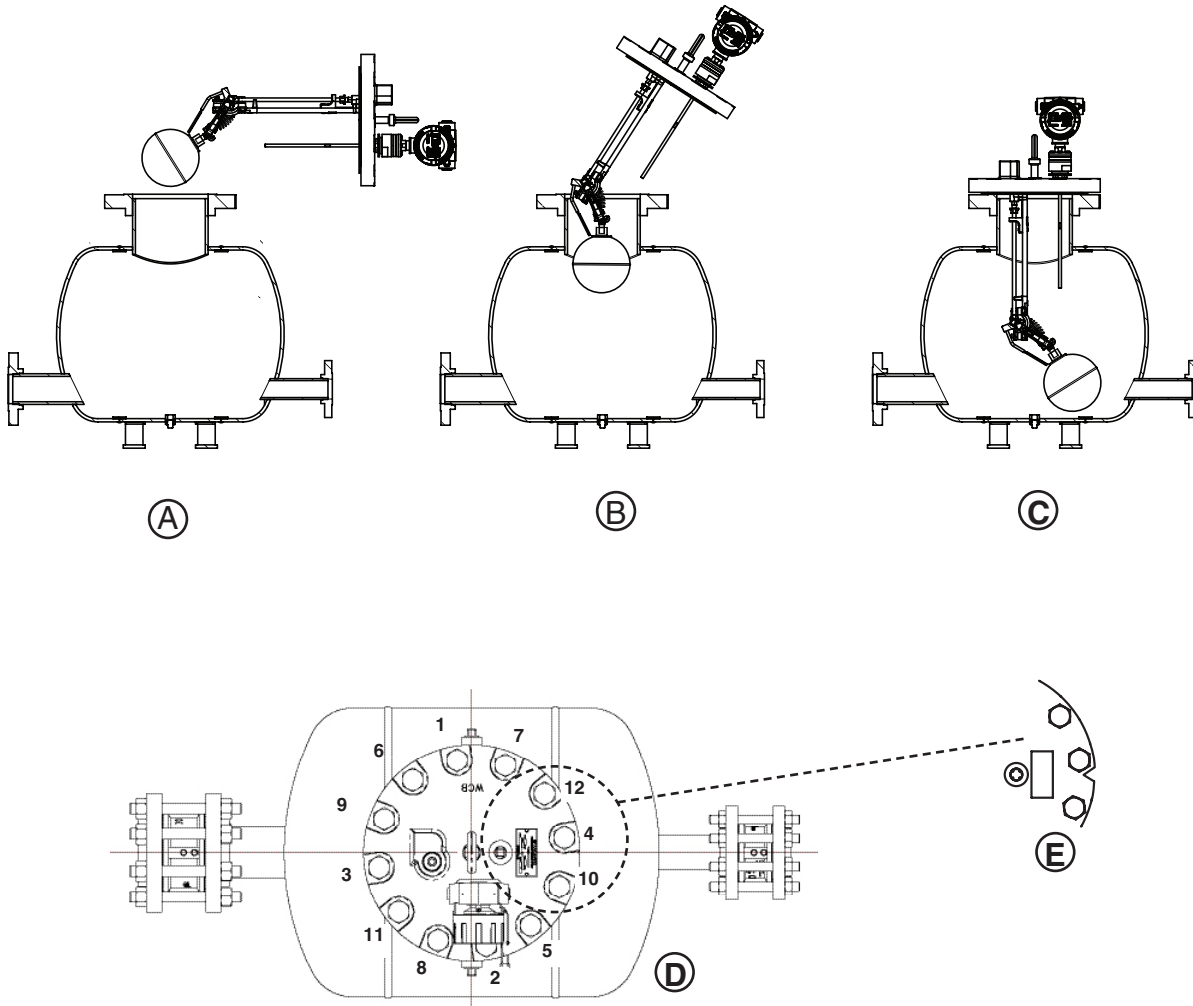
Before removing the cover and mechanism assembly, be sure the pump is completely isolated and relieved of any internal pressure to prevent personal injury. Motive supply, exhaust / tie-back, condensate inlet and discharge lines should all be closed prior to performing any work on the pump. Also ensure any hot parts have cooled to prevent risk of injury from burns. Use caution when removing cover and gasket. Gasket contains thin stainless steel reinforcement that may cause cuts to the skin. Care should be taken to prevent personal injury from the strong snapping action.

1. Break and disconnect all connections to the cover. Remove cover bolts and lift the cover and mechanism assembly from the body, noting the cover orientation.
2. Visually inspect the mechanism to verify that it is free of dirt and scale and that the float and mechanism moves freely.

NOTE:

Each mechanism assembly is factory set and tested. No adjustment to the mechanism should be made. If the mechanism assembly does not function correctly the entire mechanism should be returned to the factory for replacement under the warranty terms.

3. To re-assemble, reverse the above procedure noting the following points.
 - a. When installing the cover and mechanism in tight spaces the mechanism should be held horizontally as shown in diagram A.
 - b. The float should be inserted into the pump body first, carefully ensuring the cycle counter probe and paddle do not clash with the body, per diagram B. **Special attention must be made when fitting the cover and mechanism assembly. Do not knock the mechanism against the body or similarly hard object as this may dislodge the pivots and can permanently affect the pumps performance.**
 - c. As the mechanism is inserted into the pump body the mechanism should be held vertically and gently lowered to its final resting position. The cover must be orientated so the "V" cast in to the pump cover lines up with the body casting "part line" as indicated in diagrams D & E.
4. Assemble cover bolts and torque to 300-320 ft/lbs (406-434 mm) in a cross pattern as shown in diagram E.



Pressure Powered Pump™ Troubleshooting Checklist

If a correctly sized Pressure Powered Pump does not operate properly, an incorrect hookup is suspect in new installations. For existing installations where the pump operates occasionally or not at all, the cause is often a change in the system supply or back pressure conditions beyond the original design parameters. With the system conditions and problem symptoms determined, check the following in turn and correct as necessary.

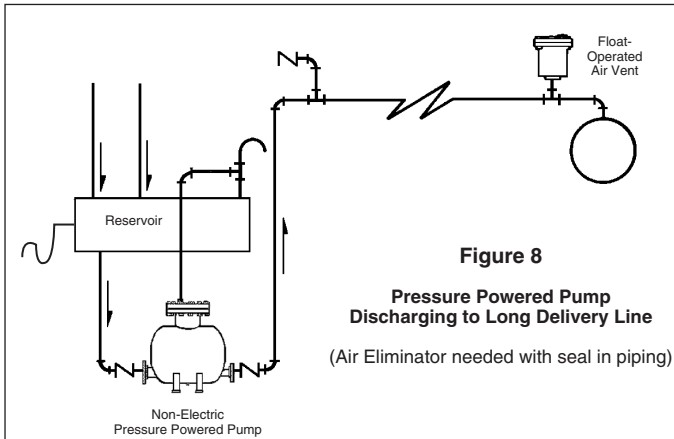
Caution:

Installation and troubleshooting should be performed by qualified service personnel. Before breaking any connections of the pump or piping system every effort should be made to assure that internal pressure has been relieved and that the motive supply line is shut off to prevent inadvertent discharge of the pump. When breaking any connection, piping/bolts should be removed slowly so that if the line is under pressure, this fact will be apparent before completely removing the pipe or component. Always relieve pressure before breaking any joint.

Symptom	Cause	Check and Cure
1. Pump fails to operate on startup.	1. a) Motive supply closed. b) Condensate inlet line closed. c) Condensate discharge line closed. d) Motive pressure insufficient to overcome backpressure. e) Check valves(s) installed in wrong direction. f) Pump air-locked.	1. a) Open valve(s) to supply motive pressure to pump. b) Open all valves to allow condensate to reach pump. c) Open all valves to allow free discharge from pump to destination. d) Check motive pressure and static backpressure. Adjust motive pressure to 10-15 psi (0.689-10.34 bar) higher than static backpressure. e) Verify proper flow direction and correct, if required. f) On vented system, assure that vent line is unrestricted to atmosphere and self-draining to the pump or receiver. On a closed system, isolate the pump from the pressurized space being drained. (Exhaust tie-back line closed.) Break exhaust connection at pump cover. Keep personnel clear of exhaust connection. If pump begins to cycle, air locking has occurred. Recheck that exhaust tie-back is in accordance with the installation instructions. Install a thermostatic air vent at a high point in the exhaust line. Assure that the equalizer line is self-draining.
2. Supply line/equipment flooded, but pump appears to cycle normally (periodic audible exhaust observed). Remove check valve & visually inspect, body and plate faces, hinge and spring.	2. a) Pump undersized. b) Insufficient filling head. c) Insufficient motive pressure to achieve rated capacity. d) Restriction in condensate inlet line. e) Inlet check valve stuck open (debris).	2. a) Verify rate capacity per TIS 5.030 capacity table. Increase check valve size or install additional pump as required. b) Verify required filling head per TIS 5.030. Lower pump to achieve required filling head. c) Check motive pressure setting and maximum backpressure during operation. Compare to capacity table of TIS 5.030. Increase motive pressure as required to meet load conditions. d) Verify that fully ported fittings are used. Blowdown the strainer, if fitted. Check that all valves are fully open. e) Isolate inlet check valve and relieve line pressure. Clean seating surfaces and reinstall or replace, if necessary.
3. Supply line/equipment flooded, and pump has stopped cycling (audible periodic exhaust not observed).	3. a) Discharge line closed or blocked. b) Discharge check valve stuck closed. c) Insufficient motive pressure.	3. a) Check motive pressure and static back-pressure (at pump discharge). If equal, a closed or blocked discharge line is suspected. Check all valves downstream of pump to assure an unobstructed discharge. b) After checking per 3(a), isolate discharge check valve and relieve line pressure. Remove check valve & visually inspect body and plate faces, hinge and spring. Clean seating surfaces and reinstall or replace, if necessary. c) If motive pressure is below static backpressure, increase motive pressure setting to 10-15 psig (0.689-1.034 bar) above static backpressure. Do not exceed rated pressure limits of equipment. For steps 3(d) through 3(g) on page 7—With exhaust/tie-back line isolated from the equipment being drained (close-loop systems), break the exhaust/tie-back connection at the pump cover and—

Symptom	Cause	Check and Cure
<p>Important Safety Note: For steps (d) through (g) it is necessary to break the exhaust/tie-back line at the pump exhaust connection. On closed loop systems, care should be exercised to assure that the pump is isolated (motive supply, condensate inlet and discharge, and exhaust/tie-back line all closed) and that case pressure is relieved prior to breaking this connection to avoid injury to personnel. Also, under fault conditions, it is possible that hot condensate may run out of the exhaust connection when broken for both closed loop and vented systems. This possibility should be taken into consideration when performing these steps to avoid scalding of personnel or water damage to nearby equipment.</p>	<p>d) Motive inlet valve leaking and/or worn.</p> <p>e) Mechanism Faults i) Broken spring ii) Ruptured float</p> <p>f) Exhaust/tie-back causing vapor lock (vented or closed loop).</p> <p>g) Inlet check valve stuck closed.</p>	<p>d) Slowly open motive supply line, leaving the condensate inlet and discharge lines closed. Observe the exhaust connection for steam or air leakage. If leakage is observed, an inlet valve problem is indicated. Isolate pump, remove cover and mechanism assembly and visually inspect. Replace inlet valve and seat assembly.</p> <p>e) With motive line open, slowly open condensate inlet line to the pump, allowing pump to fill and observe exhaust connection. Keep personnel clear of exhaust! If condensate runs out exhaust connection, a mechanism fault is clearly indicated. Isolate pump by shutting off motive supply and condensate inlet, remove cover and mechanism assembly, and visually inspect. Examine springs and float for obvious defects. Stroke mechanism and check for any source of binding or increased friction. Repair and/or replace all defects observed.</p> <p>f) If mechanism is heard to trip and no fluid is observed running out the exhaust connection, slowly open the discharge line from the pump and observe operation. Keep personnel clear of exhaust connection! If pump cycles normally, a fault in the exhaust/tie-back line is suspected. Recheck the exhaust/tie-back piping layout for compliance with the installation instructions. Exhaust/tie-back line must be self-draining to prevent vapor locking the pump.</p> <p>g) If mechanism is not heard to trip and fluid is not observed running from the exhaust connection, it is suspected that the fault lies in the condensate inlet piping. Assure that all valves leading to the pump have been opened. If so, this indicates that the inlet valve is stuck closed. Isolate the pump and check valve and relieve line pressure. Visually inspect the head, seat and stem. Clean seating surfaces and reinstall or replace, if necessary. Reinstall exhaust/tie-back connection and open line.</p>
<p>4. Chattering or banging in return main after pump discharges.</p>	<p>4. a) Vacuum created at pump outlet after discharge because of acceleration/deceleration of large water slug in return main (usually results from long horizontal run with multiple rises and drops).</p> <p>b) Pump "blow-by".</p>	<p>4. a) Install a vacuum breaker at the top of the lift (at high point in return line). For pressurized return systems and air eliminator may be required downstream of the vacuum breaker. (See Fig. 8).</p> <p>b) Check condensate inlet pressure and static backpressure at the pump discharge. If the inlet pressure equals or exceeds the static backpressure, a "blow through" problem is suspected. On vented systems, check for leaking traps discharging into the condensate inlet line which would increase inlet line pressure. Replace any faulty traps. On closed loop systems, if condensate inlet pressure can exceed static backpressure under normal operation (i.e. boost in equipment operating pressure via a modulating control valve or significant decrease in static return main pressure), a pump trap combination is required. The pump trap combination will prevent passage of steam into the return main and allow the pump to cycle normally when condensate is present (See Fig. 4)</p>
<p>5. Vent line discharging excessive flash steam (vented applications only).</p>	<p>5. a) Faulty steam traps discharging live steam into condensate inlet line (See also 4(b), Pump "Blow-By").</p> <p>b) Excessive (over 50 lb/hr, 22.7 kgh) flash steam being vented through pump.</p> <p>c) Exhaust valve stuck or worn.</p>	<p>5. a) Check for leaking traps discharging into condensate return. Repair or replace faulty traps. (See also 4(b), Pump "Blow-By").</p> <p>b) Vent receiver ahead of pump.</p> <p>c) Isolate pump and remove cover and mechanism assembly. Remove exhaust head and seat assembly. Visually inspect seating surface. Clean and reinstall or replace, if worn.</p>

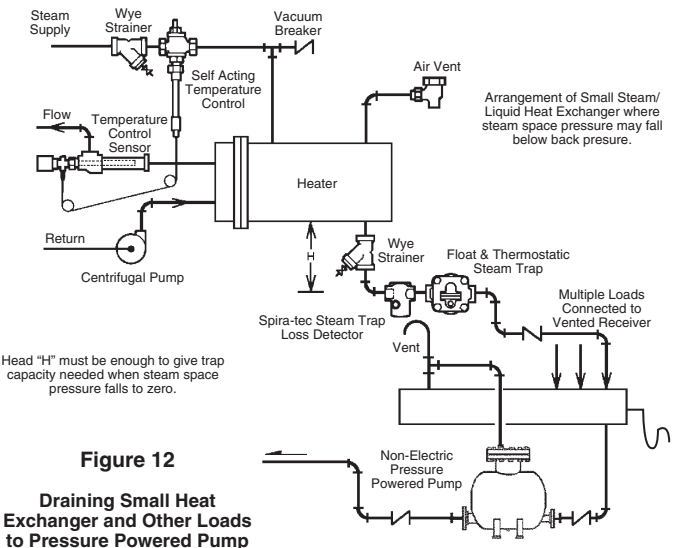
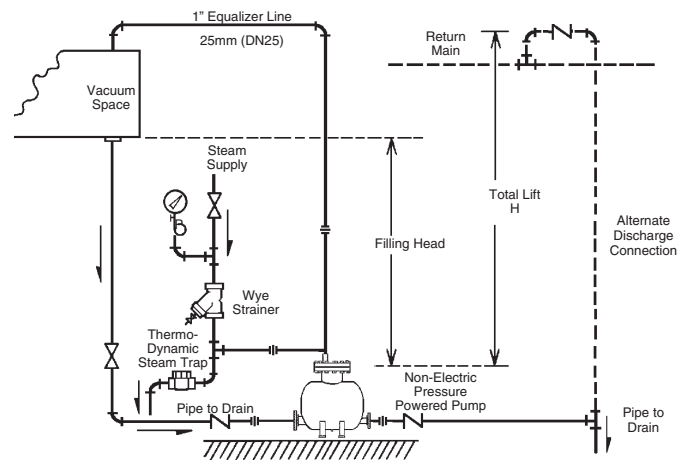
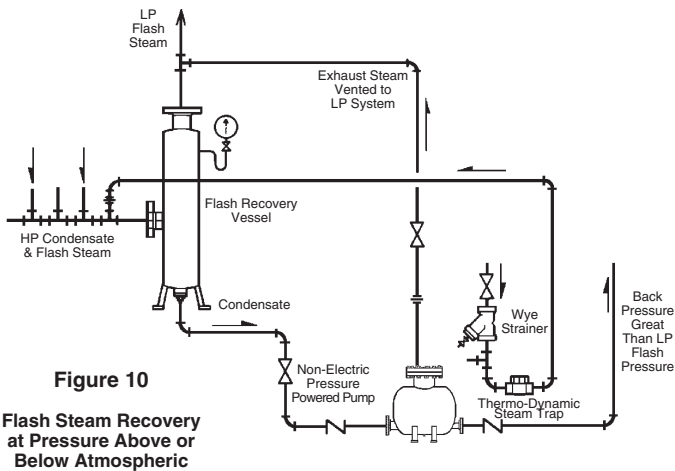
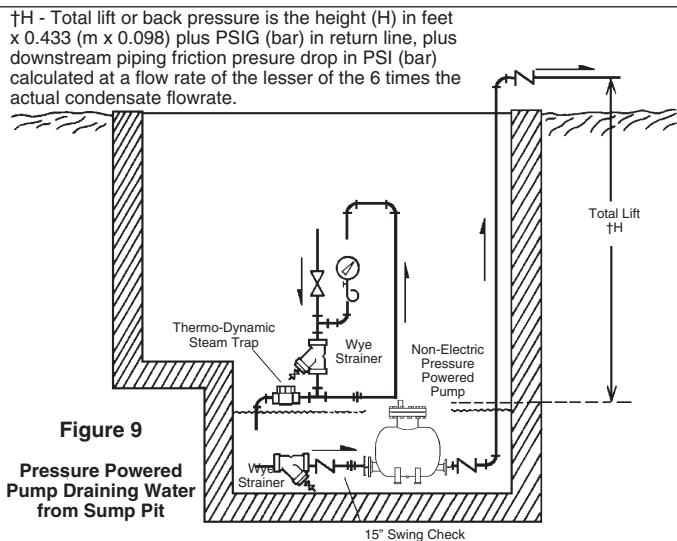
Other Typical Hook-up Sketches



The hook-up sketches shown do not necessarily represent recommended arrangements for specific service conditions; but rather serve only to illustrate the variety of applications where the pressure-powered pump can be utilized. Design requirements for each application should be evaluated for the best condensate recovery arrangement tailored to your specific needs.

For use of the pressure powered pump in hook-ups other than those described previously, and for any additional information you may require, contact Spirax Sarco Applications Engineering Department, toll free:

1-800-833-3246



Spirax Sarco Technical Support Department
Toll Free at: 1-800-833-3246

spirax sarco

SPIRAX SARCO, INC. • 1150 NORTHPOINT BLVD. • BLYTHEWOOD, SC 29016
PHONE 803-714-2000 • Fax 803-714-2222
www.spiraxsarco.com/us