



TI-P403-22  
 AB Issue 5

## Probe Flanges for TDS Conductivity Probes

### Description

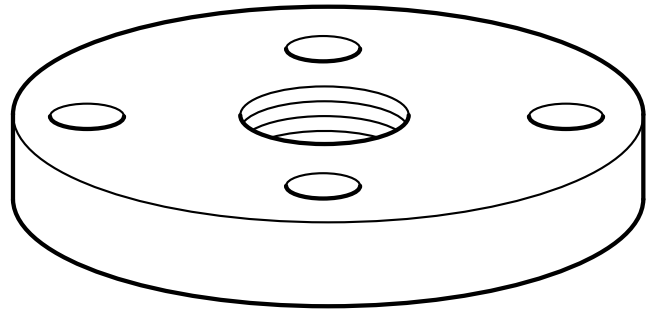
Probe flanges are used to install Spirax Sarco TDS conductivity probes directly into a boiler where a probe elbow is not used. They are tapped 2" BSP and spot-faced.

### Limiting conditions

For maximum working pressures and temperatures please refer to the relevant flange standard.

### Materials

Flanges to EN 1092	Carbon steel BS 1501 Pt 1-161 Gr. 360
Flanges to BS 10 Table F and H	Carbon steel BS 1501-151 Gr. 360
	Carbon steel BS 1503-161 Gr.A or equivalent



### Available types

Flange standard	EN 1092		BS 10	
	PN16	PN40	Table F	Table H
Flange size	Part No.	Part No.	Part No.	Part No.
DN15 (½")	4032460	4032460	4032460	4032491
DN20 (¾")	4032461	4032461	4032461	4032491
DN25 (1")	4032462	4032462	4032492	4032492
DN32 (1¼")	4032463	4032463	4032493	4032493
DN40 (1½")	4032464	4032464	4032494	4032494
DN50 (2")	4032465	4032465	4032465	4032465
DN80 (3")	4032467	4032467	4032497	4032497

**Note:** For EN 1092 PN25 use PN40.

### How to order example:

1 off Spirax Sarco DN20 TDS probe flange to the following standard:  
 EN 1092 PN40. Part No. 4032461.