


spirax sarco

STAPS

Wireless Receiver/Repeater version for use with a STAPS Steam Trap Monitoring System

Description

The STAPS wireless receiver/repeater  version is specifically designed for use with the STAPS wireless steam trap monitoring system, within hazardous areas.

In conjunction with the STAPS head units and PC software, the STAPS receiver/repeater, monitors steam trap operation to help ensure optimum plant performance.

Certification and Approvals

EMC Emissions and immunity:

- Emissions class B and Industrial immunity.
- EN 61326-2-1: 2006
- EN 61326-2-3: 2006

Hazardous area approvals

IECEx certification and ATEX intrinsic safety certification.

Complies with FCC rules CFR 47 (1st October 2011).

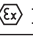
Safety to IEC/EN 61010-1 2001 (second edition).

CSA 22.2

IECEx certification and equipment protection level

Gas	Ex d IIC T4 Gb
Dust	Ex tb IIIC T135°C Db
Tamb	-20°C to +70°C
Standards used	IEC 60079-0, IEC 60079-1 and IEC 60079-31
Certificate number	IECEx SIR 14.0070X

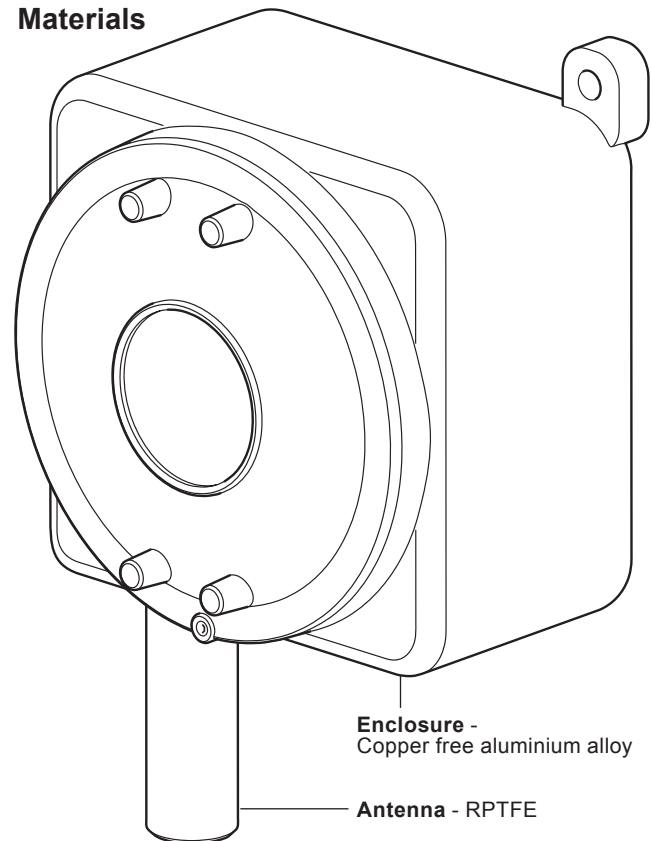
European certification

ATEX	Flame proof  II 2 GD
Gas	Ex d IIC T4 Gb
Dust	Ex tb IIIC T135°C Db
Tamb	-20°C to +70°C
Standards used are flame proof to:	EN 60079-0, EN 60079-1 and EN 60079-31

Technical information

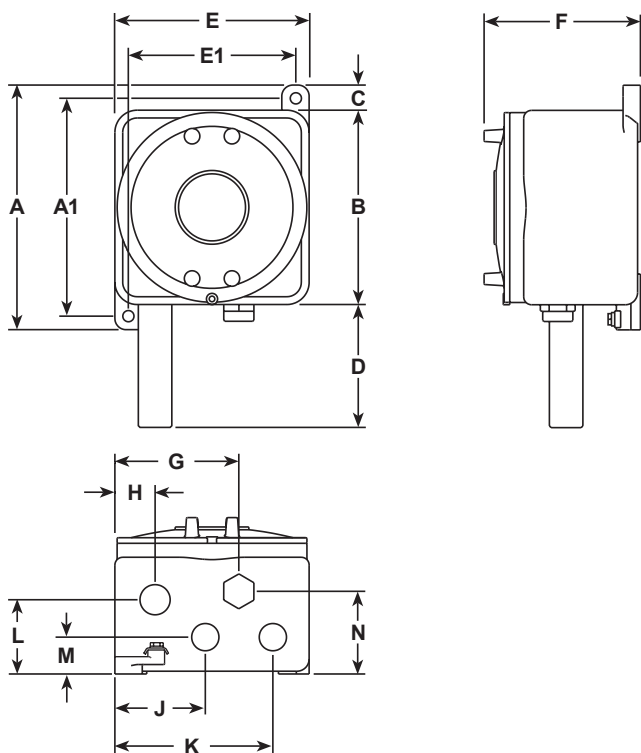
Mains powered	60 to 264 Vac, 47 to 63 Hz
Current	0.7 A, 115 Vac
Maximum altitude	3 000 m (0.7 bar atmospheric)
Ambient temperature range	-20 to +70°C
Maximum relative humidity	95%
Enclosure rating	IP66 (Excluding external power supply)
Input/Output (I/O)	IEE 802.15 2.4 GHz RJ45 port
Operating modes	Receiver or repeater

Materials



Dimensions/weights (approximate) in mm and kg

A	A1	B	C	D	E	E1	F	G	H	J	K	L	M	N	Weight
210	195	174	20	110	174	150	140	111	36	81	141.5	66.5	33	71.5	4.5 kg



Safety information, installation and maintenance

For full details see the Installation and Maintenance Instructions (IM-P014-05) supplied with the product.

Disposal

This product is recyclable. No ecological hazard is anticipated with the disposal of this product, provided due care is taken.

Spare parts

The spare parts available are shown in solid outline. Parts drawn in broken line are not supplied as spares.

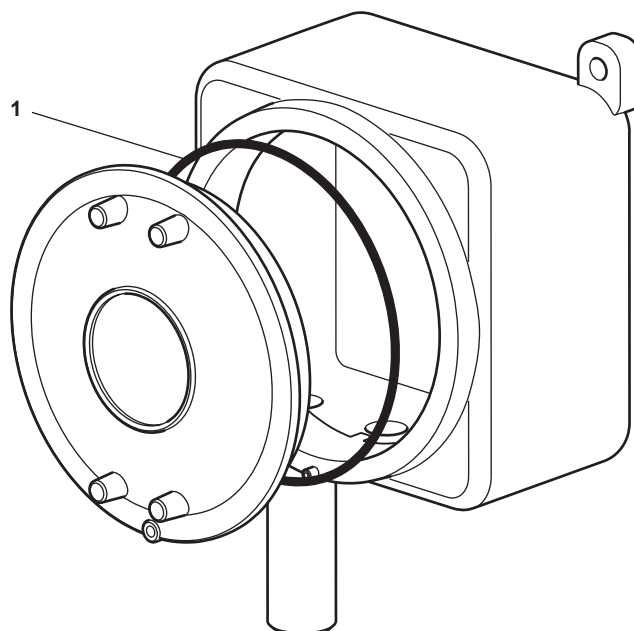
Available spare

Enclosure 'O' ring	1
--------------------	---

How to order spares

Always order spares by using the description given in the column headed 'Available spare'.

Example: 1 - Enclosure 'O' ring for a STAPS receiver/repeater Ex version.



How to order

Example: 1 - STAPS receiver/repeater Ex version for use with a STAPS wireless steam trap monitoring system.