



PN600 Series Pneumatic Controllers

Description

The PN600 series pneumatic controllers provide temperature or pressure control providing a 0.2 bar to 1 bar output signal with proportional (plus manual reset) or proportional plus integral control action. An optional stainless steel pocket type W30S is available for use with temperature sensors.

The range of pneumatic controllers can be used in conjunction with PN5000 and PN6000 series linear actuators and PP4 pneumatic positioners.

Available types

Temperature control

Model	Control function	Scale range
662-T5-M5*	Proportional (+ Manual reset)	0 - 100 °C
662-T5-M5	Proportional (+ Manual reset)	50 - 150 °C
662-T5-M5*	Proportional (+ Manual reset)	25 - 125 °C
662-T5SY-M5	Proportional (+ Manual reset)	25 - 125 °C
663-T5-M5*	Proportional + Integral	0 - 100 °C
663-T5-M5	Proportional + Integral	50 - 150 °C
663-T5-M5*	Proportional + Integral	25 - 125 °C
663-T5SY-M5	Proportional + Integral	25 - 125 °C

T5 = Nitrogen filled sensing bulb and capillary

SY = Sensing bulb for sterile applications

M5 = 5 metres capillary tube (*Option of 10 metres - Suffix 'M10')

Pressure control

622	Proportional (+ Manual reset)	0 - 7 bar
622	Proportional (+ Manual reset)	0 - 20 bar
623	Proportional + Integral	0 - 7 bar
623	Proportional + Integral	0 - 20 bar

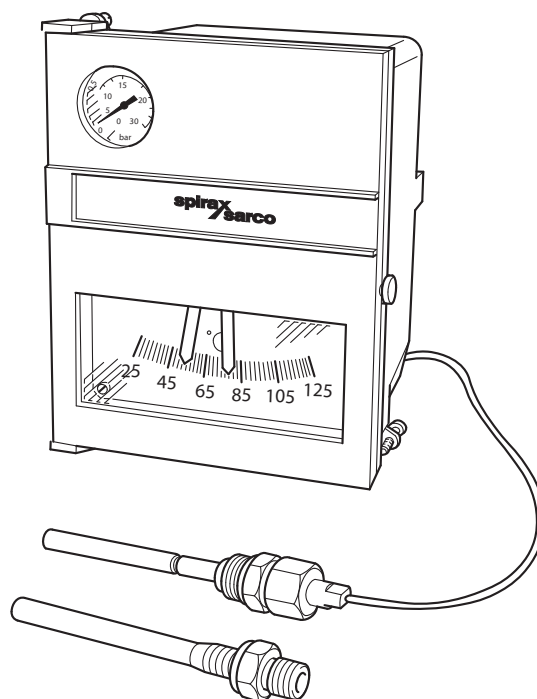
Other options available include:-

Pneumatic receiver for 0.2 to 1 bar (or 3 to 15 psi g) input signal.
 Electromechanical receiver for 4-20 mA, 0-10 Vdc, RTD Pt100 or thermocouple input signal.

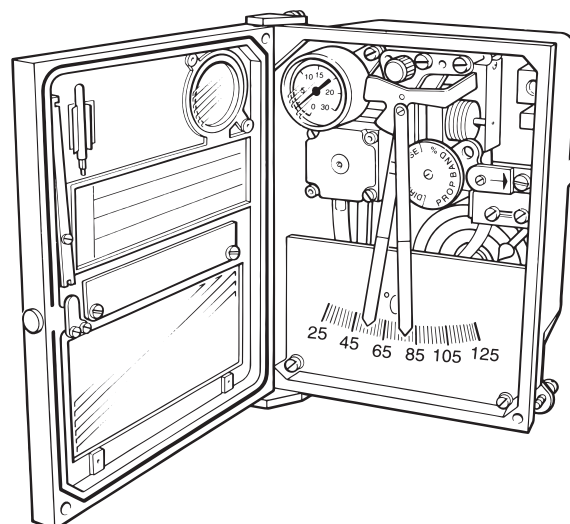
Other scale ranges available:-

Pressure (bar) Scale span options up to 0 to 500 bar

Temperature (°C) Scale span options for:-
 50, 75, 100, 150, 200, 300 and 400 °C



Optional pocket type W30S



Measuring elements

Pressure

Bourdon tube	AISI 316L stainless steel
Connection	¼" BSP
Maximum pressure	+25% of scale range

Temperature

	AISI 316L stainless steel
Bulb and capillary	- Cylindrical bulb for liquids - Sanitary bulb for sterile applications (Option available with spiral bulb for air/gas)
Bulb connection	¾" BSP
	5 metres
Capillary length	10 metres (in some ranges) (Other options available)
Max. measured temperature	+25% of scale range

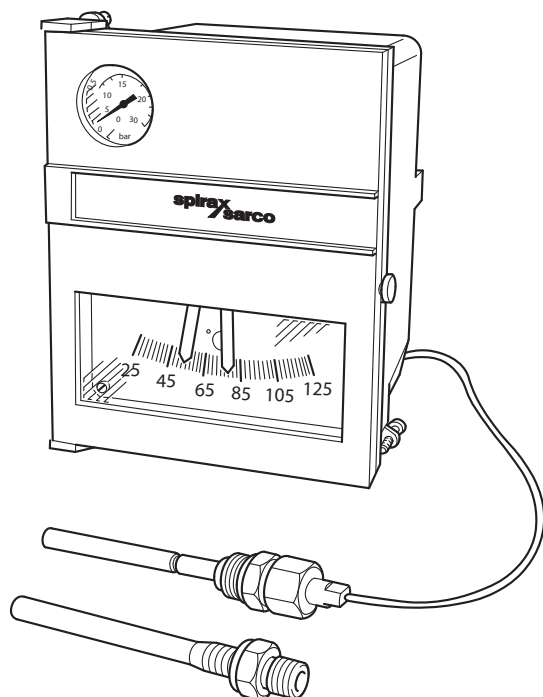
Pocket - Type W30S (optional)

Material	AISI 316L	Stainless steel
Connection	½" BSP	
Maximum pressure	PN40	

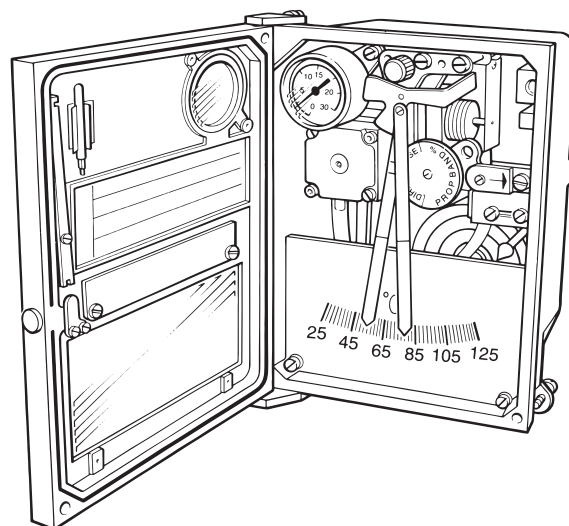
Technical data

Controller

Enclosure rating	IP54 (Standard) IP55 (Optional)
Scale length	100 mm
Pointers	Measured value - black Set point - red
Gauges	Output signal pressure (bar/psi g)
Control mode	Proportional (5-200% of scale range) Integral (0.1 to 20 repeats per minute)
Output signal	0.2 - 1 bar
Control action	Direct or reverse action - Field reversible
Set point adjustment	Manual adjustment
Accuracy	1% of range span
Sensitivity	0.2% of range span
Repeatability	0.5% of range span
Linearity	0.5% of range span
Air supply	1.4 bar
Air consumption	0.2 Nm ³ /h (average)
Air connections	¼" NPT
Ambient temperature limits	-15 °C to 65 °C
Mounting	Wall or flush panel mounted
Weight	3.5 kg



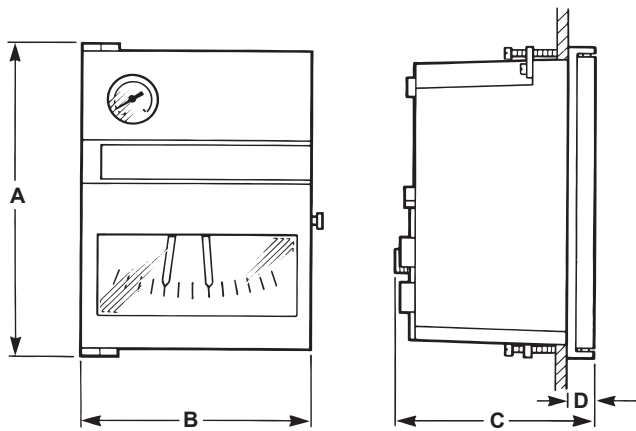
Optional pocket type W30S



Dimensions (mm)

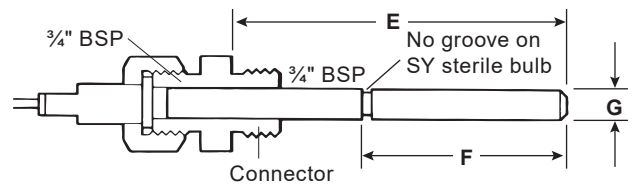
Controller

A	B	C	D
202	144	136	17



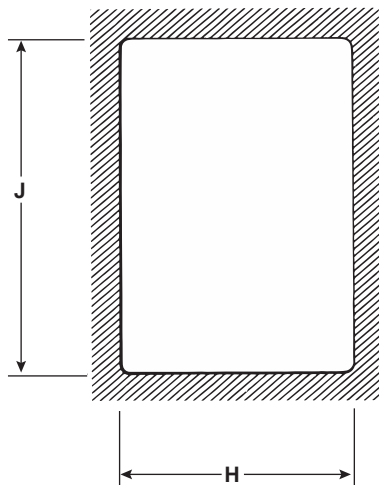
Temperature sensing bulb

E	F	G
200	120	13



Panel mounting cut-out

H	J
16	188



Pocket

K	L
16	210

