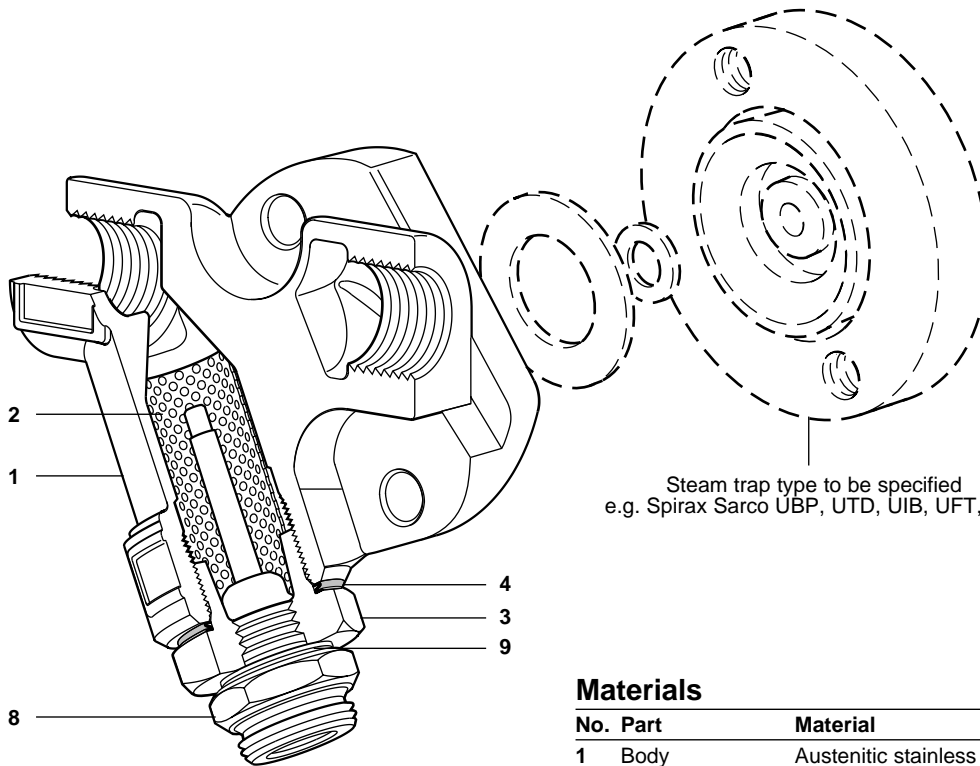




Cert. No. LRQ 0963008

ISO 9001

IPC20 and IPC21 Pipeline Connectors with Integral Spiratec Sensors



SS1 sensor shown

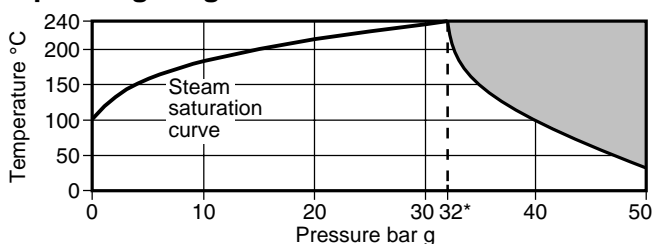
Materials

No.	Part	Material
1	Body	Austenitic stainless steel ASTM A 351 CF8
2	Strainer screen	Austenitic stainless steel (0.8 mm perforations) 316L
3	Strainer cap	Austenitic stainless steel AISI 303
4	Cap gasket	Stainless steel BS 1449 304 S16
8	Sensor	Stainless steel ASTM A582 416
9	Sensor gasket	Stainless steel

Limiting conditions

Body design conditions	ANSI/ASME Class 300 (PN50)
PMA - Maximum allowable pressure	50 bar g
TMA - Maximum allowable temperature	240°C
PMO - Maximum operating pressure	32 bar g
TMO - Maximum operating temperature	240°C
Designed for a maximum cold hydraulic test pressure of 76 bar g	

Operating range



The product must not be used in this region.

* PMO Maximum operating pressure recommended for saturated steam service.

Description

The **IPC20** is a pipeline connector with integral strainer and Spiratec sensor for use with UTD52L, UTD52H, UTD30L, UTD30H, UBP21 and UBP32 steam traps.

The **IPC21** is a pipeline connector with an integral strainer and Spiratec sensor for use with UIB30, UIB30H, UFT14 and UFT32 steam traps.

Both the **IPC20** and **IPC21** can be fitted with the following sensor options:

SS1 sensor - for detection of steam leakage.

WLS1 sensor with diode - for use with R16C monitor to detect steam wastage and waterlogging.

WLS1 sensor without diode - for use with R1C to detect steam wastage and waterlogging.

Standards

These products fully comply with the requirements of the European Pressure Directive 97/23/EC.

Certification

These products are available with certification to EN 10204 2.2. **Note:** All certification/inspection requirements must be stated at the time of order placement.

Sizes and pipe connections

Condensate inlet/outlet DN15, 20 and 25
Screwed BSP, NPT
Socket weld ends to ANSI B 16.11/BS 3799 Class 3000.

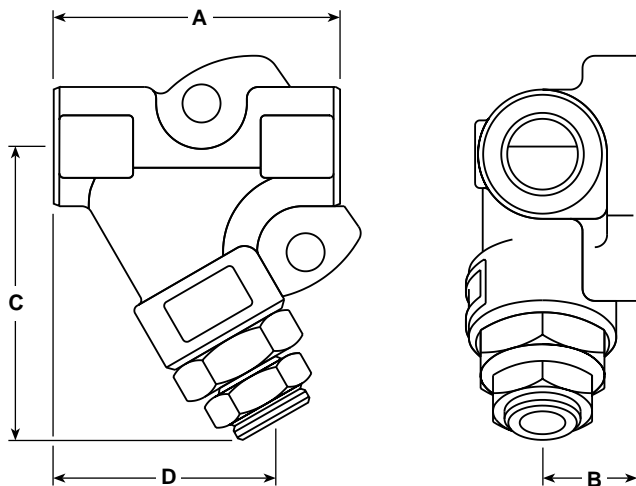
K_v values

Size	DN15	DN20	DN25
K _v	1.1	1.1	1.1

For conversion: C_v (UK) = K_v x 0.963 C_v (US) = K_v x 1.156

Dimensions/weights (approximate) in mm and kg

Size	A	B	C	D	Weight
½"	81	24	127	58	1.20
¾"	89	24	127	64	1.30
1"	99	25	132	69	1.50



Safety information, installation and maintenance

For full details see the Installation and Maintenance Instructions (IM-P128-11) supplied with the product.

General information

There are two criteria which must be satisfied to ensure that the swivel connector trap will operate correctly and ensure effective condensate removal:

- The IPC20 and IPC21 must be installed in a horizontal pipeline with the sensor at the bottom.
- The connection face for the swivel connector steam trap must always be in the vertical plane unless stated on relevant steam trap Installation and Maintenance Instructions.

After installation it is recommended that the pipeline connector is insulated to minimise radiated heat losses and to protect personnel from burn risk.

Detailed instructions regarding welding socket weld versions are provided with the product.

Disposal

This product is recyclable. No ecological hazard is anticipated with disposal of this product providing due care is taken.

How to order

Example: 1 off ½" Spirax Sarco IPC21 pipeline connector with socket weld connections fitted with an integral strainer screen and SS1 Spiratec sensor for steam wastage detection.

Spare parts

The spare parts available are detailed below. No other parts are supplied as spares.

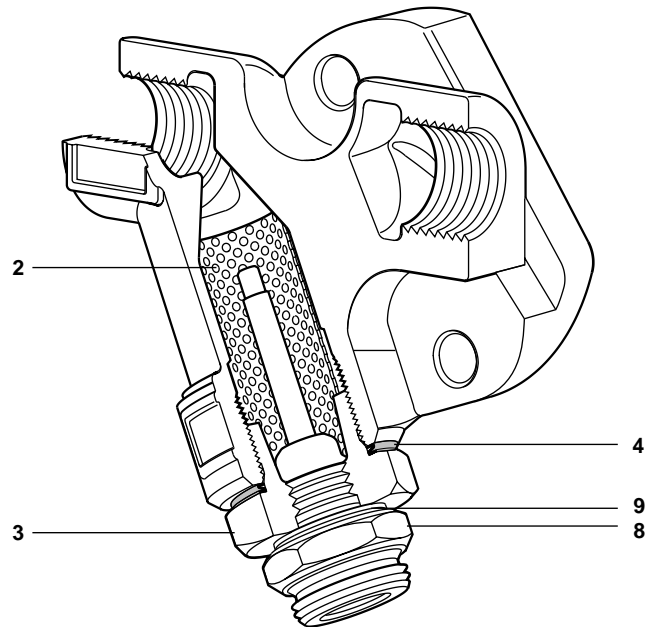
Available spares

Strainer screen and gasket	2, 4
Sensor and sensor gasket	8, 9



How to order spares

Always order spares using the description given in the column headed 'Available spares' and state the size and model number.

Example: 1 - Strainer screen and gasket for the ½" IPC20 connector.



Recommended tightening torques

Item	 or mm		N m
3	32 A/F	M28 x 1.5P	170 - 190
8	24 A/F		50 - 55