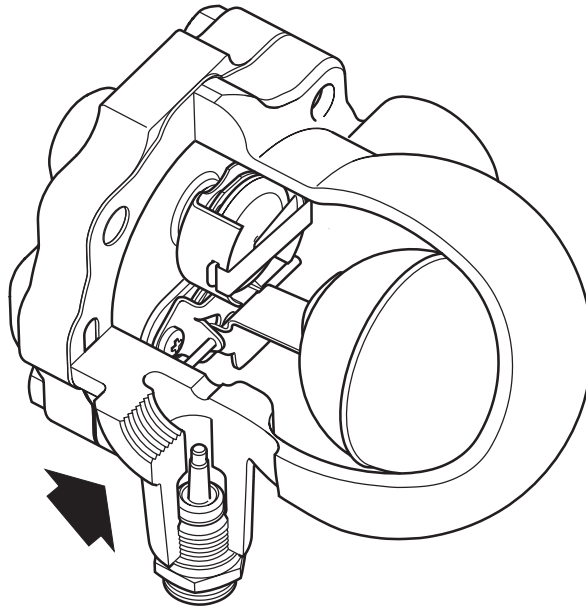




IFTGS14

Ball Float Steam Trap with Integral Spiratec Sensor




Description

The IFTGS14 is a maintainable ball float steam trap with integral automatic air venting facility. It is available with horizontal connections and has a stainless steel body and an electroless nickel plated SG iron cover offering increased resistance to erosion. The IFTGS14 can be simply integrated into all existing Spiratec monitoring systems.

Available options

SS1	Sensor to detect steam leakage only.
WLS1	Sensor to detect waterlogging and steam leakage.
WLS1 and Diode pack	Sensor to detect waterlogging and steam leakage for use with R16C steam trap monitor.

Standards

The product fully complies with the requirements of the EU Pressure Equipment Directive/UK Pressure Equipment Regulations and carries the  mark when so required.

Certification

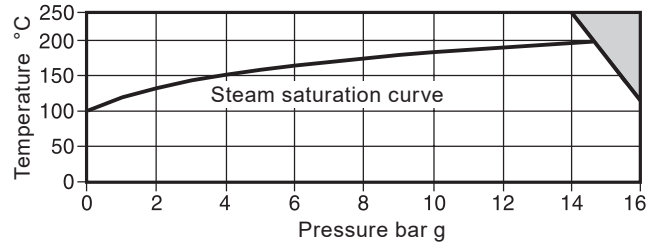
This product is available with a manufacturers Typical Test Report.

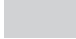
Note: All certification/inspection requirements must be stated at the time of order placement.

Sizes and pipe connections

½" and ¾" screwed BSP or NPT.

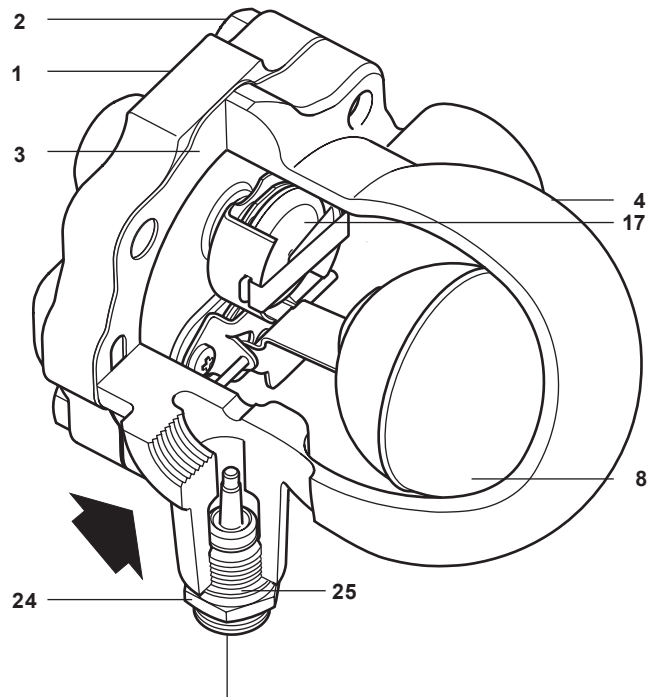
Pressure/temperature limits (ISO 6552)



 The product **must not** be used in this region.

Body design conditions		PN16
PMA	Maximum allowable pressure	16 bar g @ 120 °C
TMA	Maximum allowable temperature	250 °C
Minimum allowable temperature		-10 °C
PMO	Maximum operating pressure for saturated steam service	14.6 bar g
TMO	Maximum operating temperature	250 °C @ 13.8 bar g
Minimum operating temperature		0 °C
		IFTGS14-4.5
ΔPMX	Maximum differential pressure	4.5 bar
		IFTGS14-10
		10 bar
		IFTGS14-14
		14 bar

Materials



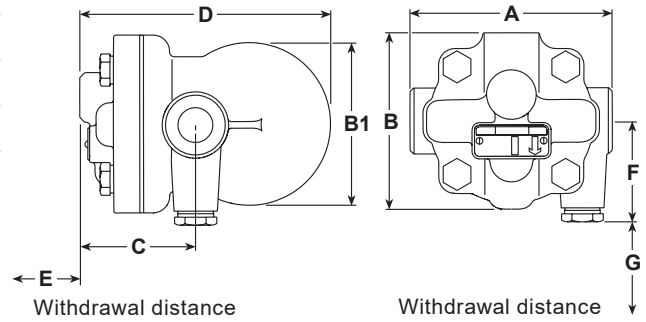
Note: The IFTGS14 is supplied with a steel plug (27, not shown) in the sensor adaptor, remove and fit sensor on site.

No.	Part	Material	
1	Body	Austenitic stainless steel	EN 10213-4 (1.4308) ASTM A351 CF8
2	Cover bolts	Steel	
3	Cover gasket	Reinforced exfoliated graphite	
4	Cover	Electroless nickel plated SG iron	DIN 1693 GGG 40
5 *	Valve seat	Stainless steel	
6 *	Valve seat gasket	Stainless steel	
7 *	Pivot frame assembly screws	Stainless steel	
8	Ball float and lever	Stainless steel	
10 *	Pivot frame	Stainless steel	
11 *	Pivot pin	Stainless steel	
17	Air vent assembly	Stainless steel	
18	Air vent seat gasket	Stainless steel	
20 *	Gasket	Stainless steel	
24	Sensor	Stainless steel	
25	Sensor gasket	Stainless steel	
27	Blanking plug (not shown)	Steel	

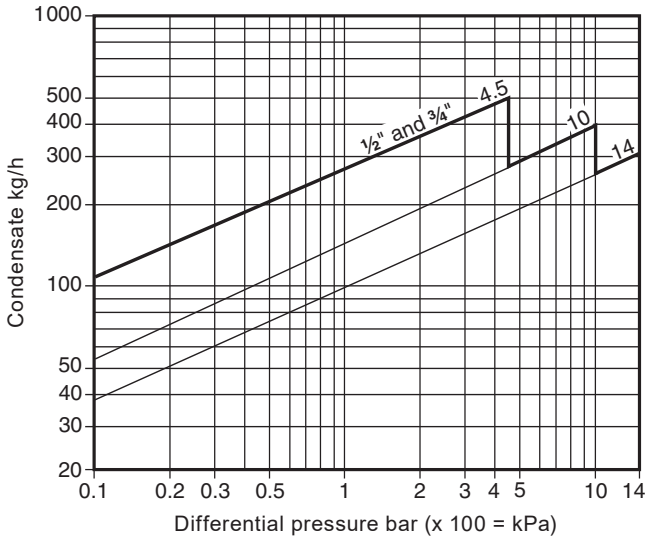
* **Note:** Items 5, 6, 7, 10, 11 and 20 are shown more clearly in the Spare parts section.

Dimensions/weights (approximate) in mm and kg

Size	A	B	B1	C	D	E	F	G	Weight
½"	121	107	96	70	151	105	60	130	3.6
¾"	121	107	96	70	151	105	60	130	3.6



Capacities



Note: Capacities shown are based on discharge at steam saturation temperature. When discharging sub-cooled condensate the air vent provides extra capacity. Under start-up conditions the thermostatic air vent will be open, and will provide additional condensate capacity to the main valve assembly. On 4.5 bar units this will provide a minimum of 50% increased capacity above the hot condensate figures shown. On 10 and 14 bar units this will be a minimum increase of 100% on the published capacity. For full details see TI-S02-28.

Safety information, installation and maintenance

For full details see the Installation and Maintenance Instructions (IM-P145-12) supplied with the product.

Installation note

The IFTGS14 is supplied with a blanking plug in the sensor adaptor: The sensor is to be fitted on site.

The IFTGS14 must be installed with the direction of flow as indicated on the cover, and with the float arm in a horizontal plain so that it rises and falls vertically. The IFTGS14 has been designed for use in a right to left flow direction when viewed from the name-plate end, however, it can also be installed in a left to right orientation, by simply rotating the complete trap through 180°.

Caution: Ensure that adequate distance is allowed for removal of the body and internals in the event of maintenance. See 'Dimensions/weights' for withdrawal distances.

Disposal

This product is recyclable. No ecological hazard is anticipated with the disposal of this product providing due care is taken.

Spare parts

The spare parts available are shown in solid outline. Parts drawn in a grey line are not supplied as spares.

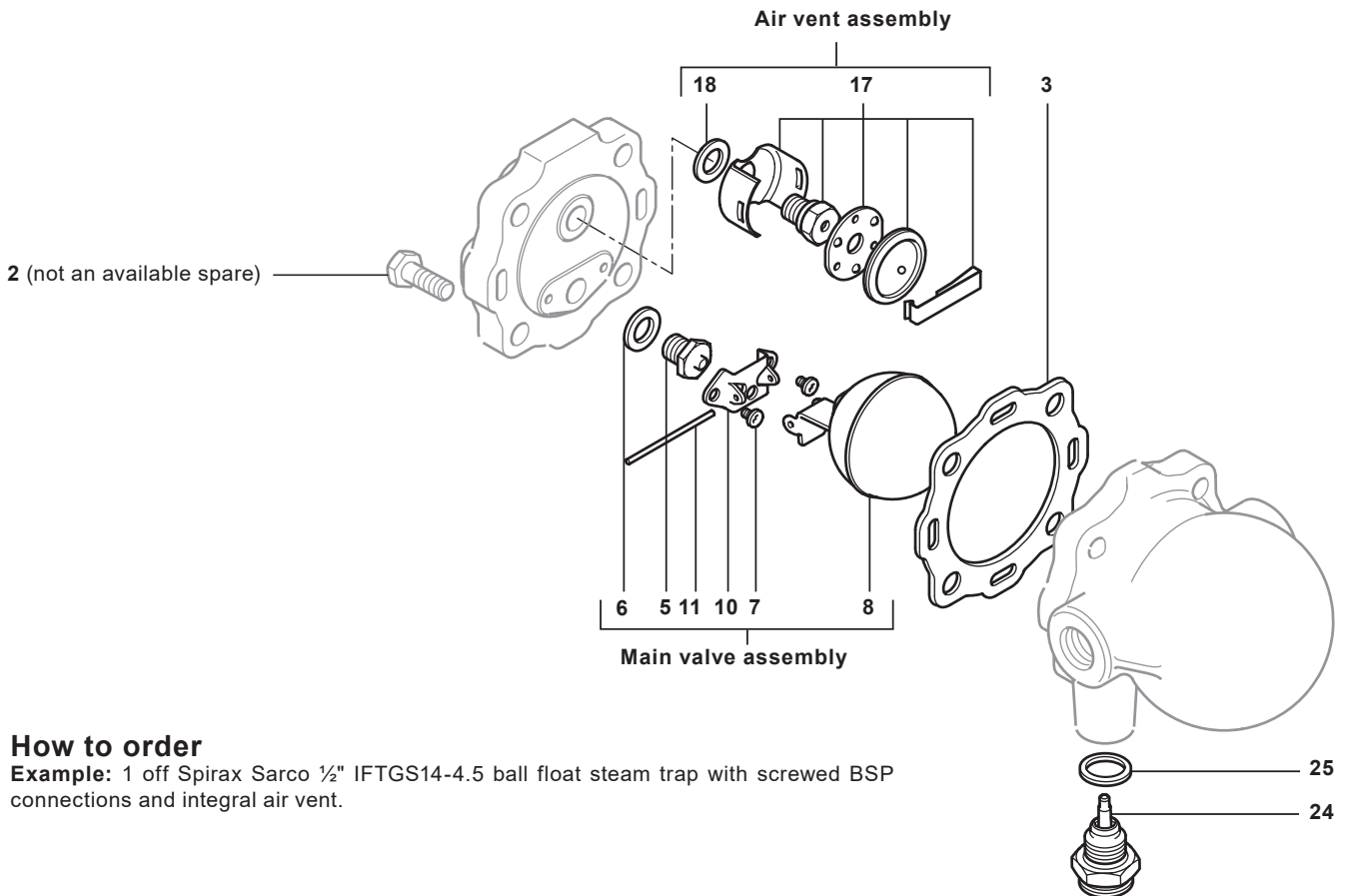
Available spares

Maintenance kit	3, 5, 6, 7 (2 off), 8, 10, 11, 17, 18
Main valve assembly	3, 5, 6, 7 (2 off), 8, 10, 11
Air vent assembly	3, 17, 18
Sensor and sensor gasket	24, 25
Cover gasket (packet of 3)	3

How to order spares

Always order spares by using the description given in the column headed 'Available spares' and state the size, type of trap and pressure range.

Example: 1 - Maintenance kit for a Spirax Sarco ½" IFTGS14-10 ball float steam trap.





Blanking plug 27 not shown

How to order

Example: 1 off Spirax Sarco ½" IFTGS14-4.5 ball float steam trap with screwed BSP connections and integral air vent.

Recommended tightening torques

Item		or mm		N m
2	17 A/F		M10 x 30	47 - 50
5	17 A/F			50 - 55
7	Pozidrive		M4 x 6	2.5 - 3.0
9	17 A/F			50 - 55
24	24 A/F			50 - 56
27	22 A/F			50 - 56