

spirax sarco

IF2M, IF2AM and IF2DM

Monnier

TI-P504-11
 CH Issue 2



International Compressed Air Filters

Description

The IF Monnier international range of filters provides high quality compressed air (free from liquid and solid contaminants) for general purpose pneumatic systems.

Available types:

IF2M Only available with a metal bowl and having a manual drain.

IF2AM Having a pilot operated automatic drain.

IF2DM Having a semi-automatic dump valve with quick action manual override.

Principal features:

- Internal and external high quality black anodised finish.
- Large filter element for long life and low pressure drop.
- Shrouded whirl disc for efficient separation.
- 5 micron large surface area element.
- Options of metal bowl with sight level.

Optional extras

For further technical information regarding the following options see below:

- Metal bowl with/without sight glass.
- Bowl guard.

Sizes and pipe connections

¼", ⅜" and ½" screwed BSP (BS 21 - Rp).

Operating limit

Maximum working pressure	Polycarbonate bowl	10 bar g
	Metal bowl	17 bar g
Maximum working temperature	Polycarbonate bowl	50°C
	Metal bowl	80°C

Materials

No.	Part	Material
1	Bowl	Polycarbonate or aluminium (anodised)
2	Head	Anodised aluminium
3	Element 5 µm	Melamine impregnated cellulose
4	'O' rings	Nitrile rubber
5	Auto-drain	Plastic



IF2DM shown

Optional extras

Metal bowl
with sight level



Bowl guard

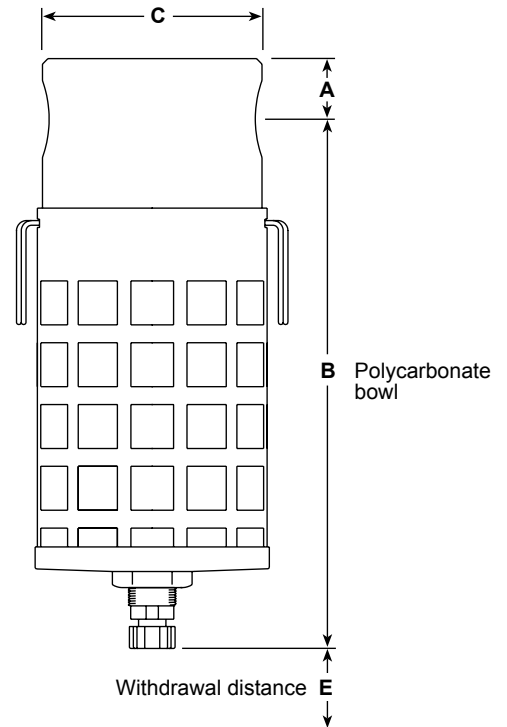
In the interest of safety Spirax Sarco recommend that a bowl guard should be fitted to polycarbonate bowls - see the 'Warning' under 'Safety information, installation and maintenance'.



Dimensions/weights (approximate) in mm and kg

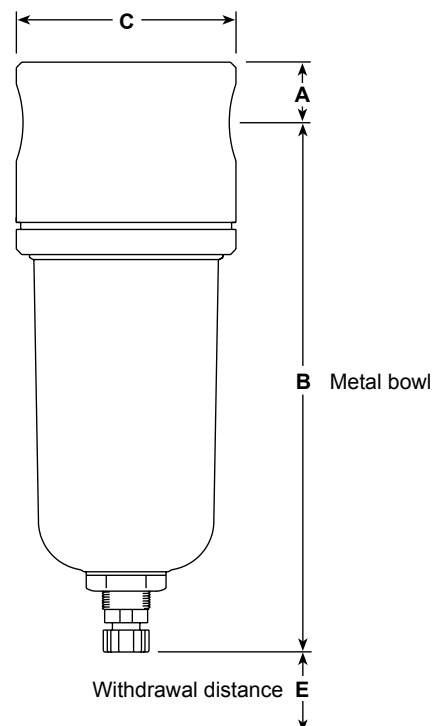
Polycarbonate bowl

Unit	A	B	C	E	Weight
IF2AM	17	152	64	55	0.463
IF2DM	17	152	64	55	0.670



Metal bowl

Unit	A	B	C	E	Weight
IF2M	17	152	64	39	0.606
IF2AM	17	152	64	39	0.626
IF2DM	17	152	64	39	0.670

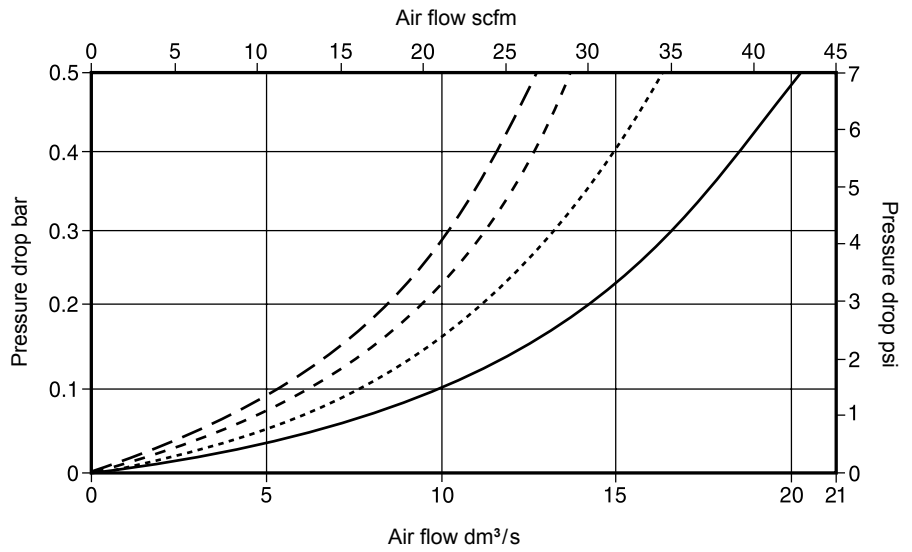


Capacities

5 µm element

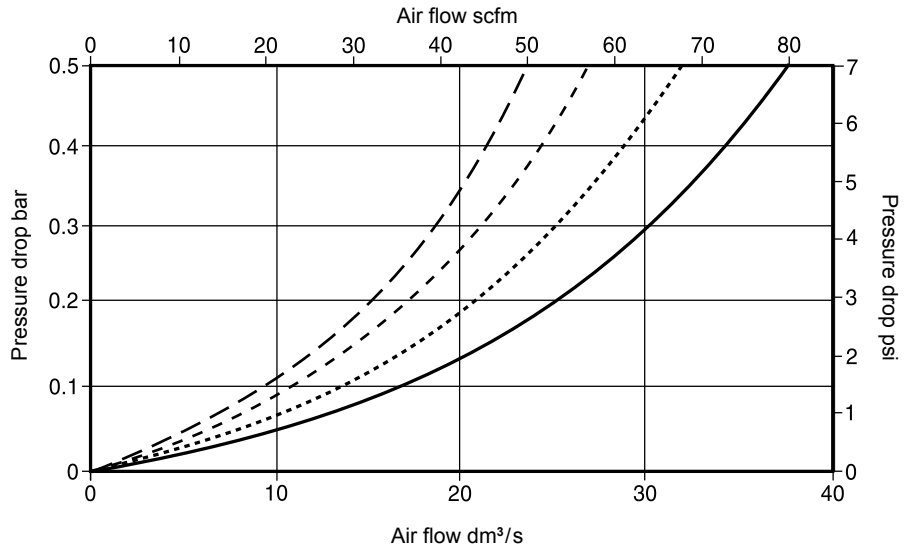
1/4"

- 1.6 bar g (23 psi g)
- - - 2.5 bar g (36 psi g)
- 4.0 bar g (58 psi g)
- 6.3 bar g (91 psi g)



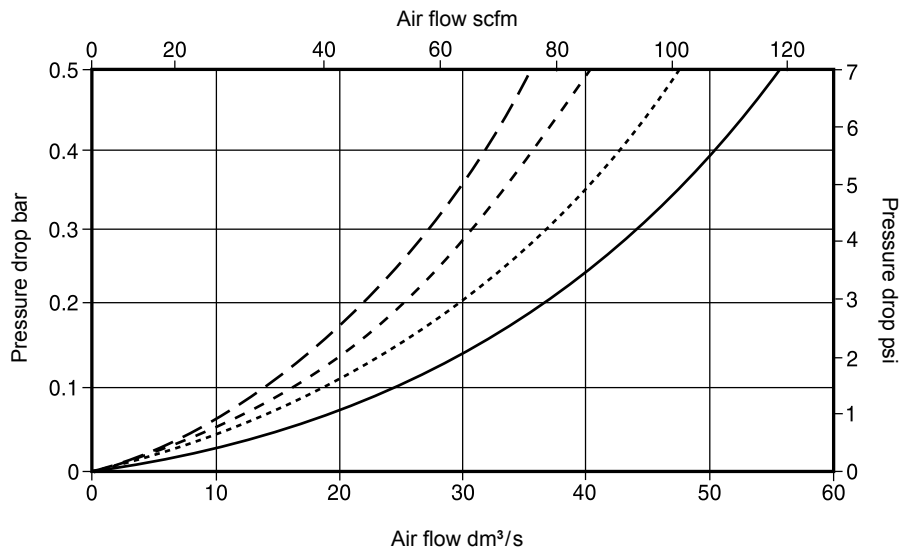
3/8"

- 1.6 bar g (23 psi g)
- - - 2.5 bar g (36 psi g)
- 4.0 bar g (58 psi g)
- 6.3 bar g (91 psi g)



1/2"

- 1.6 bar g (23 psi g)
- - - 2.5 bar g (36 psi g)
- 4.0 bar g (58 psi g)
- 6.3 bar g (91 psi g)



Principle of operation

Monnier air line filters are built to ensure solid and liquid contaminants are removed from compressed air. All Monnier filters are engineered with the exclusive Whirl-Away design which creates high centrifugal force with low pressure drop. The whirling action forces all liquids and solids against the bowl wall causing them to run down below the quiet-zone baffle where they can be drained out. The air then flows through the elements where the smaller particles are removed and the filtered air passes downstream. The leak proof drain valve has an 'O' ring seal that can be opened and closed without tools.

Safety information, installation and maintenance

For full details see the Installation and Maintenance Instructions (IM-P504-12) supplied with the product.

Warning:

Polycarbonate bowls are attacked by phosphate ester fluids, solvents, paint thinners and carbon tetrachloride. These and similar substances should never be allowed to come into contact with the bowl. Certain synthetic and standard compressor lubricating oils also contain additives harmful to polycarbonate and, where there is any doubt we recommend, in the interests of safety, that a metal bowl or a bowl guard should be fitted.

Installation note:

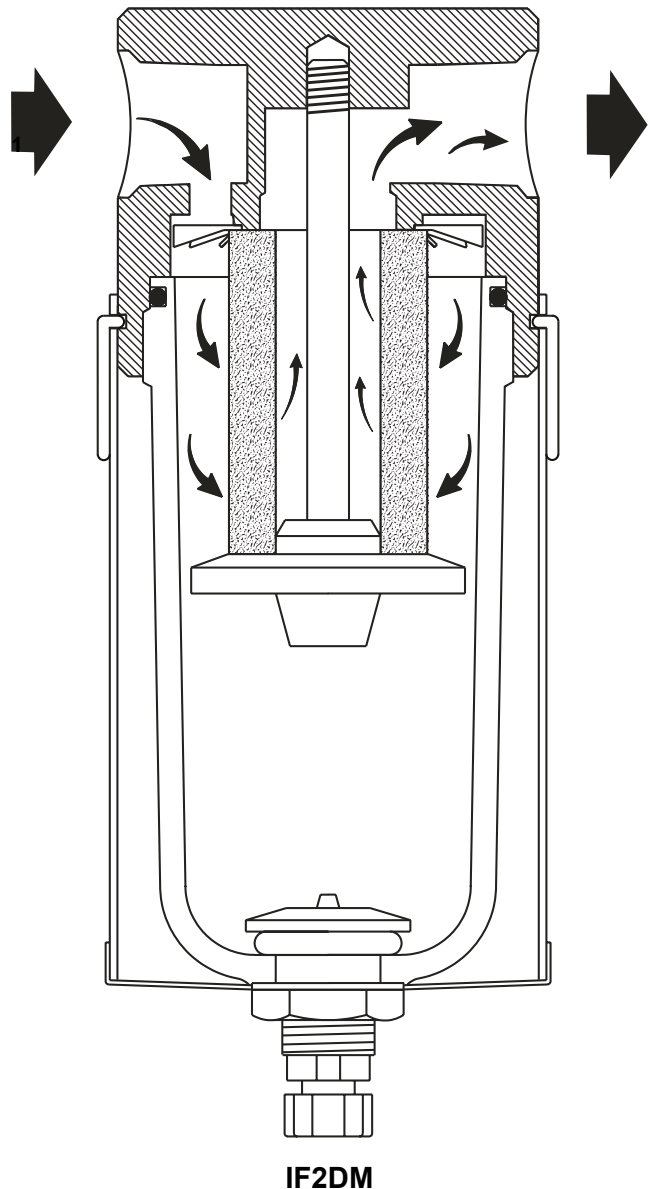
Fit into a horizontal pipeline with the air flow in the direction of the arrow and the bowl vertically downwards, as close as possible to the equipment it is protecting.

How to order

Example: 1 off IF2AM Monnier international compressed air filter having a female ½" screwed BSP (BS 21 - Rp) connection.

Note 1: The product will be supplied with a 5 µm element and polycarbonate bowl as standard. If a metal bowl is required (with or without sight level) it must be clearly specified on the order. The IF2M manual drain is available with metal bowl only.

Note 2: If any optional extras are required, they must be clearly specified on the order.



Spare parts

The spare parts available are detailed below. No other parts are supplied as spares.

Available spares

Bowl assembly including the appropriate drain - state polycarbonate or metal (with or without sight level)	A, B
Element set (packet of 3 of each) 5 µm	B, C
Auto-drain (IF2AM only)	Not shown

How to order spares

Always order spares by using the description given in the column headed 'Available spares' and state the size and type of unit.

Example: 1 off Polycarbonate bowl assembly for a ½" IF2DM Monnier international compressed air filter.

Metal bowl with sight level

(Standard for the IF2M)

