



Cert. No. LRQ 0963008

ISO 9001

# spirax sarco

## Electrical Enclosures - General Purpose - Plastic

TI-P402-29  
AB Issue 6

### Description

Spirax Sarco general purpose plastic electrical enclosures are supplied with a tinted transparent cover and DIN mounting rail as standard. They are suitable for housing either one or two Spirax Sarco controllers. The enclosure rating is to IP67. The maximum ambient temperature is 40°C.

### Installation

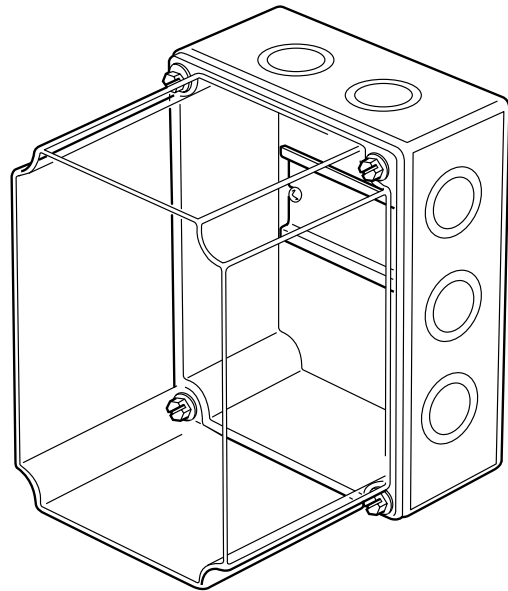
The enclosure can be screwed directly to a vertical surface, using the holes located outside the gasketed area. There are pre-pressed knockouts in the base for Pg 13.5 to Pg 16 or Pg 21 cable glands.

### Materials

Grey glass-filled polycarbonate base with tinted transparent polycarbonate cover.

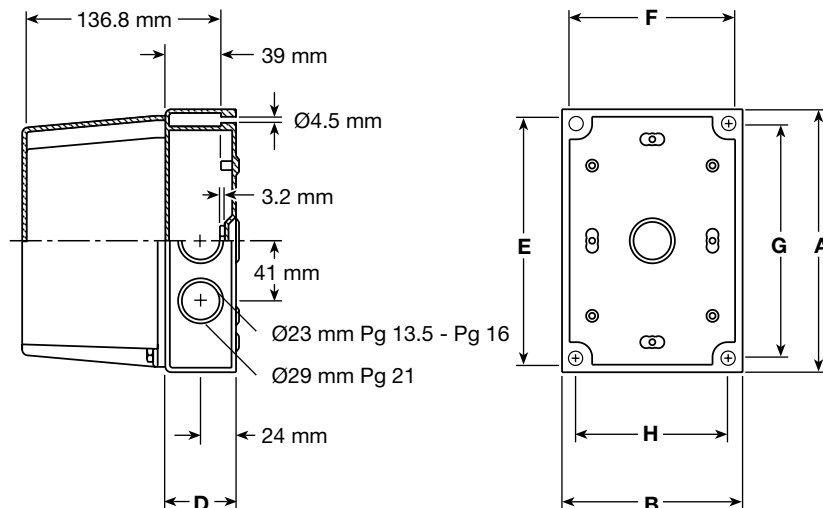
### How to order example

1 off Spirax Sarco single plastic electrical enclosure.



### Dimensions (approximate) in millimetres

	A	B	C	D	E	F	G	H
Single enclosure	175	125	100	50	167	117	157	107
Double enclosure	255	180	100	50	245	170	237	163



Supplied complete with symmetrical rail to DIN 46277-3

Fastening of enclosure to wall with screws

