



## DCV10 Stainless Steel and DCV10C Carbon Steel Centrally Guided Disc Check Valves

### Description

The **DCV10** (cast stainless steel) and **DCV10C** (zinc plated cast carbon steel) are wafer pattern disc check valves that have been designed to be sandwiched between flanges for use with pumps and general cycling applications. They are suitable for use on a wide range of fluids for applications in process lines, hot water systems, steam and condensate systems etc. The centrally guided design ensures improved life span of the unit plus more reliability when compared to traditional disc check valves. These disc check valves will ensure correct flow of condensate and other suitable fluids whilst also preventing reverse flow - maintaining production and profit at all times.

**Standards:** Designed in accordance with BS EN 14341:2006. This product fully complies with the requirements of the EU Pressure Equipment Directive/UK Pressure Equipment (Safety) Regulations and carries the **CE** mark when so required.

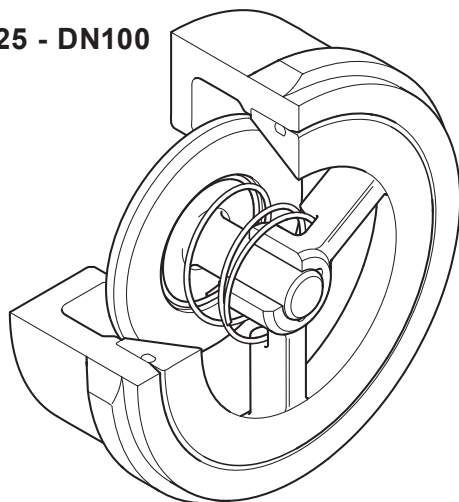
**Shut-off:** Shut-off conforms to EN 12266-1:2003 Rate F.

**Certification:** This product is available with certification to EN 10204 3.1.

**Note:** All certification/inspection requirements must be stated at the time of order placement.

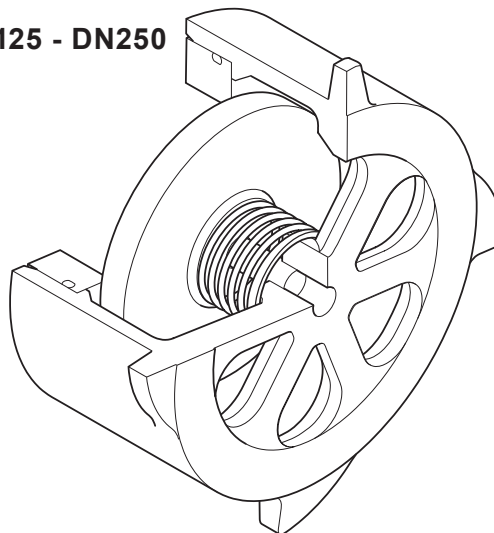
### DCV10

DN25 - DN100



### DCV10 and DCV10C

DN125 - DN250



### Sizes and pipe connections

**Sizes:** DN25, DN32, DN40, DN50, DN65, DN80, DN100, DN125, DN150, DN200 and DN250

**The PN rated design** fits between the following flanges:

DN25 - DN100	EN 1092 PN25, PN16, PN40, JIS/KS 10K and JIS/KS 20K
DN125 - DN250	EN 1092 PN25, PN16, PN40 and JIS/KS 20K

**The ASME Class 300 design** fits between the following flanges: ASME B 16.5 Class 150 and Class 300.

**Face-to-face dimensions** are in accordance with EN 558 Series 49 for the DN125 - DN200 size range and EN 558 Series 52 for the DN250.

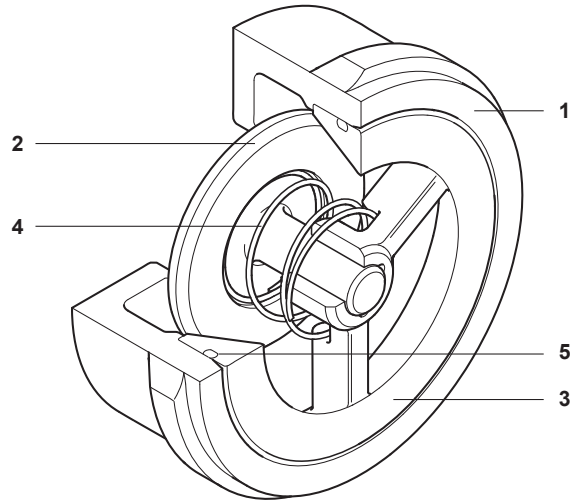
## Materials

# DCV10

## DN25 - DN100

No.Part	Material		
1 Body *	PN	Austenitic stainless steel	1.4308
	ASME	Austenitic stainless steel	A351 CF8
2 Disc		Austenitic stainless steel	A276 316L
		Austenitic stainless steel	AISI 316L
3 Spider		Martensitic stainless steel	BS 3146-2 ANC2
4 Spring		Stainless steel	BS 2056 316 S42
5 Gaskets		Reinforced exfoliated graphite	

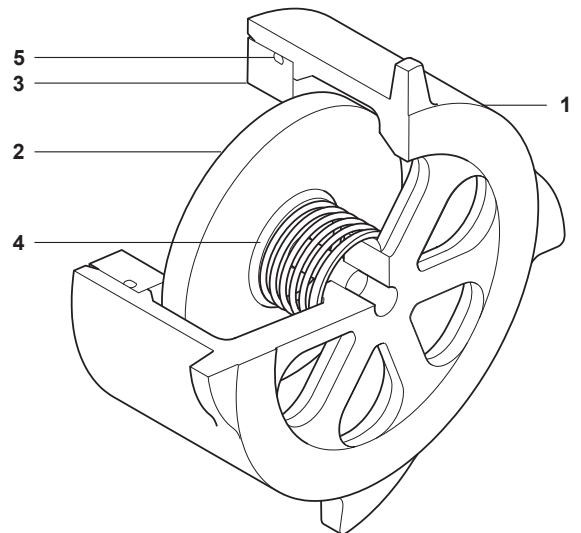
\* For DN32 and DN65 Material Austenitic stainless steel 1.4401 - 316L



# DCV10 and DCV10C

## DN125 - DN250

No.Part	Material		
1 Body	DCV10	PN	Austenitic stainless steel 1.4308
		ASME	Austenitic stainless steel A351 CF8
	DCV10C	PN	Carbon steel 1.0619+N
		ASME	Carbon steel A216 WCB
2 Disc	PN	Austenitic stainless steel 1.4308	
	ASME	Austenitic stainless steel A351 CF8	
3 Seat	PN	Austenitic stainless steel 1.4308	
	ASME	Austenitic stainless steel A351 CF8	
4 Spring		Stainless steel 316L	
5 Gaskets		Reinforced exfoliated graphite	



## K<sub>v</sub> values

Size	DN25	DN32	DN40	DN50	DN65	DN80	DN100	DN125	DN150	DN200	DN250
K <sub>v</sub>	10.8	10.8	26	43	43	80	130	188	213	432	735

For conversion:

$$C_v \text{ (UK)} = K_v \times 0.963$$

$$C_v \text{ (US)} = K_v \times 1.156$$

## Opening pressures in mbar

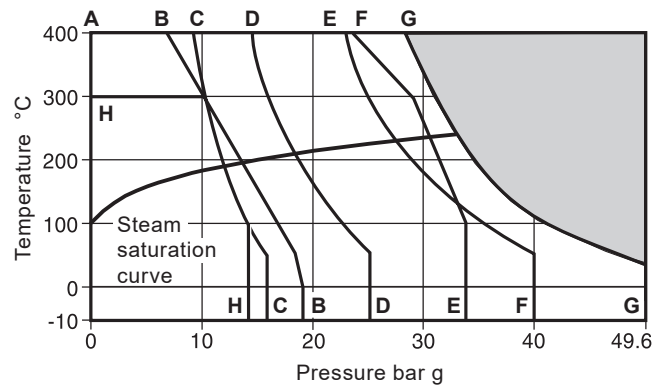
Differential pressures with zero flow.

→ Flow direction

DN	DN25	DN32	DN40	DN50	DN65	DN80	DN100	DN125	DN150	DN200	DN250
↑	25.0	25	28.0	29.0	29	31.0	33	44	46	48.5	54
→	22.5	22.5	24.5	24.5	24.5	25.5	27	32	33	34	37
↓	20.0	20	20.0	20.0	20	30.0	20	20	20	20	20

## Pressure/temperature limits

### DCV10 DN25 - DN100



The product **must not** be used in this region.

**A - B** Flanged ASME Class 150.

**A - C** Flanged EN 1092 PN16.

**A - D** Flanged EN 1092 PN25.

**A - E** Flanged JIS/KS 20K.

**A - F** Flanged EN 1092 PN40.

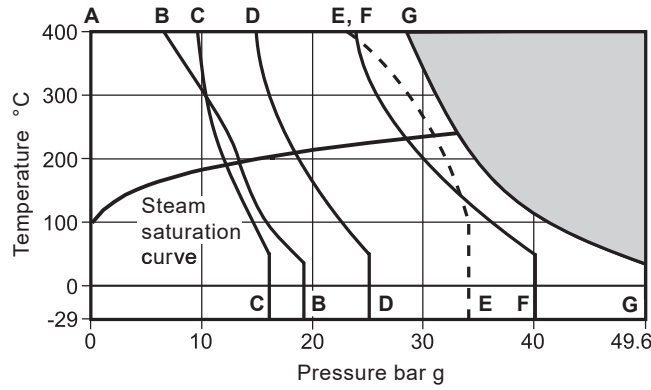
**A - G** Flanged ASME Class 300.

**H - H** Flanged JIS/KS 10K.

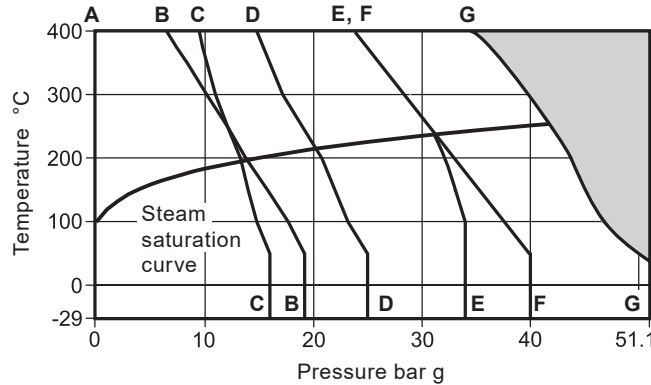
Body design condition		PN40 or ASME Class 300
PMA Maximum allowable pressure	PN40	40 bar g @ 50 °C
	ASME Class 300	49.5 bar g @ 38 °C
TMA Maximum allowable temperature	PN40	400 °C @ 23.8 bar g
	ASME Class 300	400 °C @ 28.4 bar g
Minimum allowable temperature		-10 °C
PMO Maximum operating pressure	PN40	40 bar g @ 50 °C
	ASME Class 300	49.5 bar g @ 38 °C
TMO Maximum operating temperature	PN40	400 °C @ 23.8 bar g
	ASME Class 300	400 °C @ 28.4 bar g
Temperature limits		-10 °C to +400 °C
Minimum operating temperature		-10 °C
Designed for a maximum cold hydraulic test pressure of:	PN40	60 bar g
	ASME Class 300	74.4 bar g

## Pressure/temperature limits

### DCV10 DN125 - DN250



### DCV10C DN125 - DN250



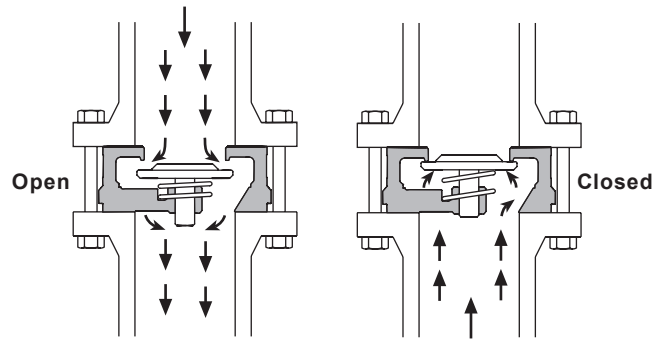
The product **must not** be used in this region.

- A - B Flanged ASME Class 150.
- A - C Flanged EN 1092 PN16.
- A - D Flanged EN 1092 PN25.
- A - E Flanged JIS/KS 20K.
- A - F Flanged EN 1092 PN40.
- A - G Flanged ASME Class 300.

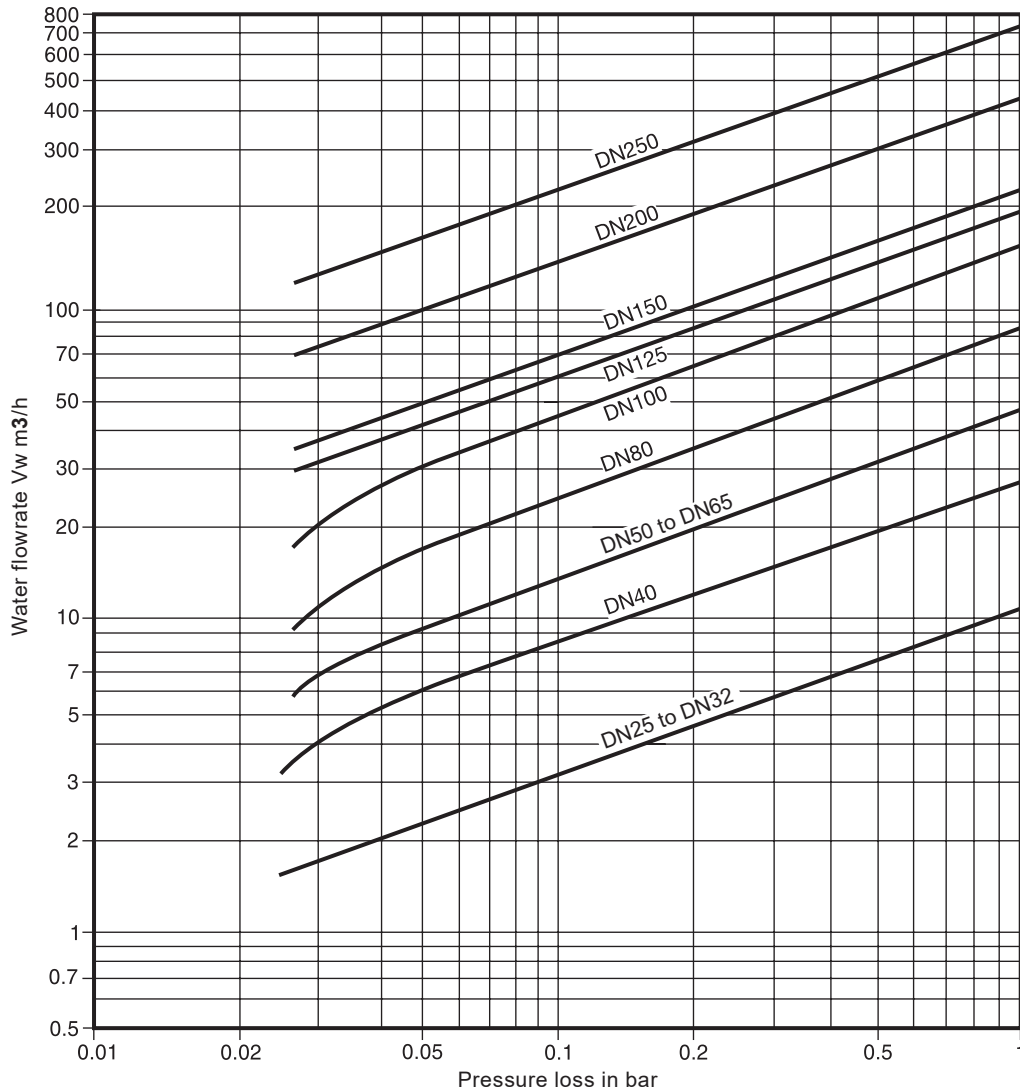
Body design condition		PN40 or ASME Class 300
PMA Maximum allowable pressure	DCV10	49.6 bar g @ 38 °C
	DCV10C	51.1 bar g @ 38 °C
TMA Maximum allowable temperature	DCV10	400 °C @ 28.4 bar g
	DCV10C	400 °C @ 34.7 bar g
Minimum allowable temperature		-29 °C
PMO Maximum operating pressure for saturated steam service	DCV10	33 bar g @ 241 °C
	DCV10C	42 bar g @ 255 °C
TMO Maximum operating temperature	DCV10	400 °C @ 28.4 bar g
	DCV10C	400 °C @ 34.7 bar g
Temperature limits		-29 °C to +400 °C
Minimum operating temperature		-29 °C
Designed for a maximum cold hydraulic test pressure of:		77 bar g

## Principle of operation

The DCV10 and DCV10C are opened by the pressure and flow of condensate and are closed by the pressure of the spring when the flow ceases and before reverse flow occurs.



## Pressure loss diagram



Pressure loss diagram with open valve at 20 °C. The values indicated are applicable with horizontal flow. With vertical flow, insignificant deviations occur only within the range of partial opening.

The curves given in the chart are valid for water at 20 °C. To determine the pressure for other fluids the equivalent water volume flowrate must be calculated and used in the graph.

$$\dot{V}_w = \sqrt{\frac{\rho}{1000}} \times \dot{V}$$

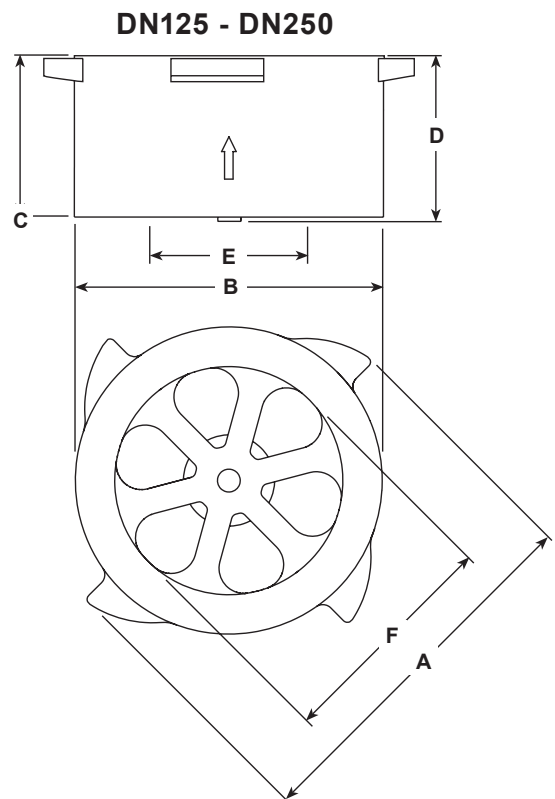
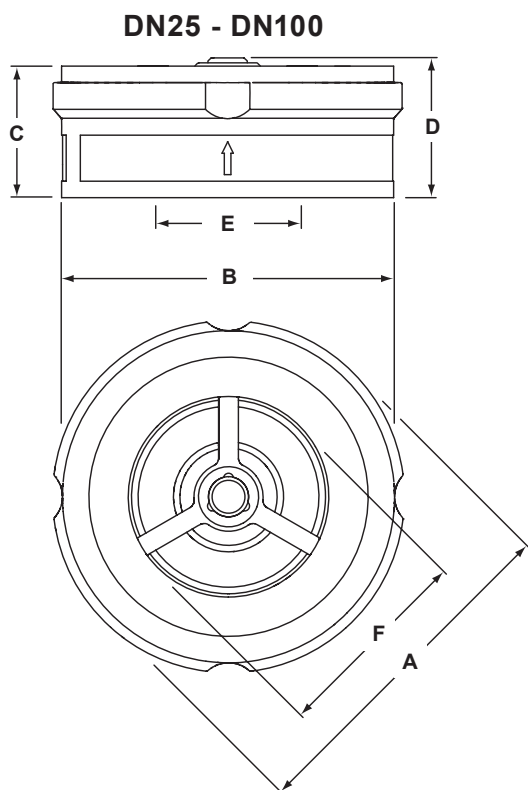
**Where:**  $\dot{V}_w$  = Equivalent water volume flow in l/s or m³/h

$\rho$  = Density of fluid kg/m³

$\dot{V}$  = Volume of fluid l/s or m³/h

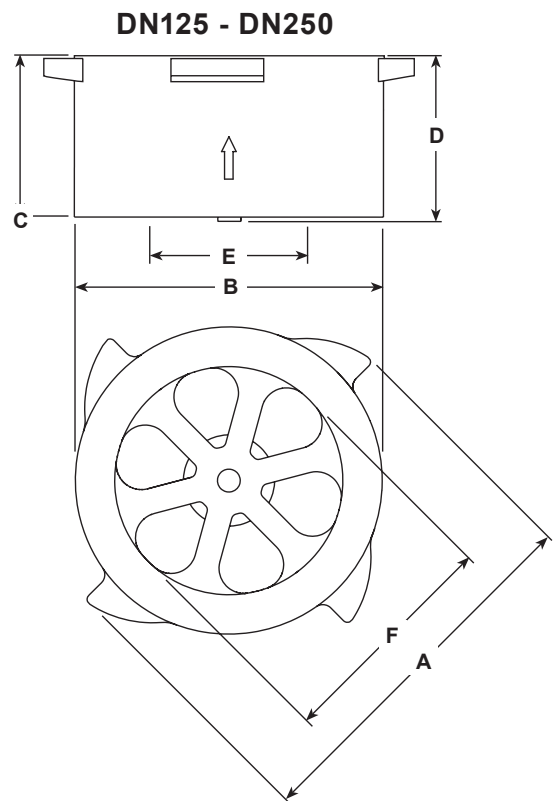
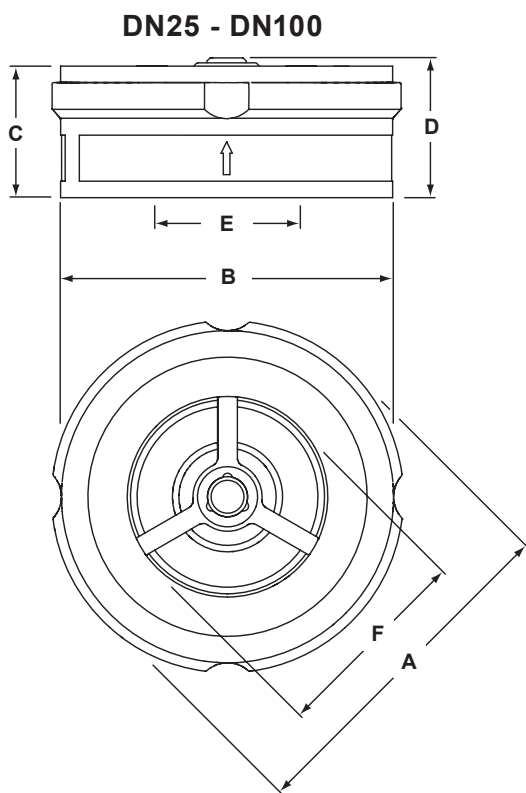
**Dimensions/weights (approximate) in mm and kg**

	Size	A	B	C	D		E	F	Weight
					Open	Closed			
<b>PN40, PN25 and PN16</b>	DN25	71	71	22	31	24	25	34	0.40
	DN32	75	75	28	37	30	32	34	0.7
	DN40	92	86	31.5	44	34	40	49	0.82
	DN50	107	101	40	55	42.5	50	61	1.34
	DN65	115	115	46	61	48.5	65	61	2.34
	DN80	142	131	50	69	53	80	89	2.56
	DN100	178	162	60	81	60	100	100	5.30
	DN125	219	188	90	-	91	117	125	11.00
	DN150	253	214	106	-	106	146	150	16.00
	DN200	325	269	140	-	142.3	183	200	32.00
	DN250	376.5	322	200	-	204	230	250	60.00
	<b>JIS/KS 10K</b>	DN25	71	71	22	31	24	25	34
DN32		75	75	28	37	30	32	34	0.7
DN40		92	86	31.5	44	34	40	49	0.82
DN50		107	101	40	55	42.5	50	61	1.34
DN65		115	115	46	61	48.5	65	61	2.34
DN80		142	131	50	69	53	80	89	2.56



**Dimensions/weights (approximate) in mm and kg (continued)**

	Size	A	B	C	D		E	F	Weight
					Open	Closed			
<b>JIS/KS 20K</b>	DN100	178	162	60	81	60	100	100	5.30
	DN125	219	188	90	-	91	117	125	11.00
	DN150	253	214	106	-	106	146	150	16.00
	DN200	325	269	140	-	142.3	183	200	32.00
	DN250	376.5	322	200	-	204	230	250	60.00
<b>ASME Class 150 and ASME Class 300</b>	DN25	70	63	35.5	37.0	35	025	030	0.50
	DN40	95	85.5	45	47.0	45	040	048	0.82
	DN50	108	101.5	56	57.5	56	050	061	1.85
	DN80	146	133	71	71.0	71	080	089	3.50
	DN100	178	162	60	81.0	60	100	100	5.30
	DN125	219	188	90	-	91	117	125	11.00
	DN150	253	214	106	-	106	146	150	16.00
	DN200	325	269	140	-	142.3	183	200	32.00
DN250	376.5	322	200	-	204	230	250	60.00	



## Safety information, installation and maintenance

For full details see the Installation and Maintenance Instructions (IM-P601-33) supplied with the product.

### Installation note:

The DCV10 and DCV10C can be fitted in either a horizontal or vertical line in accordance with the direction of flow arrow on the body.

**Note:** Flanges, bolts (or studs), nuts and gaskets are to be supplied by the installer.

### Disposal:

These products are recyclable. No ecological hazard is anticipated with the disposal of these products providing due care is taken.

### How to order

**Example:** 1 off Spirax Sarco DN80 DCV10 stainless steel check valve to fit between PN16 flanges.

### Spare parts

The DCV10 and DCV10C are non-maintainable disc check valves - There are no available spares.