



CVS10 Sanitary Check Valve with Metal Seat

Description

The CVS10 sanitary in-line spring assisted check valve is manufactured from 316L stainless steel and prevents reverse flow in fluid lines. The CVS10 with metal seat is designed for steam applications or other aggressive applications where a soft seat is not suitable, within the food, medical and pharmaceutical industries.

For water, process fluid and gas applications soft-seated versions with EPDM, Viton or FEP-Silicone seats are available - See Technical Information sheet TI-P029-10 for further data.

Available types and surface finish

CVS10-1 has an internal surface finish of 0.5 micron Ra (within ASME BPE SF1), and external surface finish of 0.8 micron Ra and a metal seat.

CVS10-2 has an electropolished internal surface finish of 0.38 Ra (within ASME BPE SF4), and external surface finish of 0.8 micron Ra and a metal seat.

Standards

- The CVS10 fully complies with the Pressure Equipment Directive (PED).
- The CVS10 is designed in accordance with ASME-BPE.

Standard shut-off

The standard shut-off of the CVS10 with metal seat conforms to EN 12266-1: 2003 Rate D.

Certification:

- EN 10204 3.1 material certification.
- Typical surface finish certificates.

Note: All certification inspection requirements must be stated at time of order placement.

Packaging

Packaging for this product is conducted in a clean environment segregated from other non stainless steel products, and in accordance with ASME BPE. Inlet and outlet connections are capped and the product is sealed in a plastic bag prior to boxing.

Sizes and pipe connections

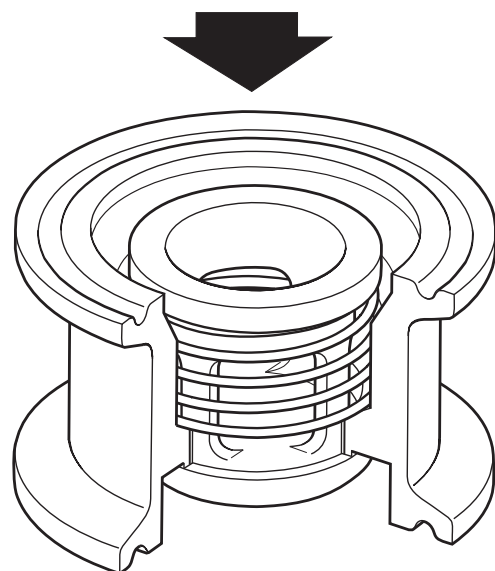
1/2", 3/4", 1", 1 1/2" and 2" to ASME BPE available as standard.

DN15 to DN50 to DIN 32676 available as standard.

Sanitary clamp:

- ASME BPE clamp.
- Sanitary clamp to DIN 32676.

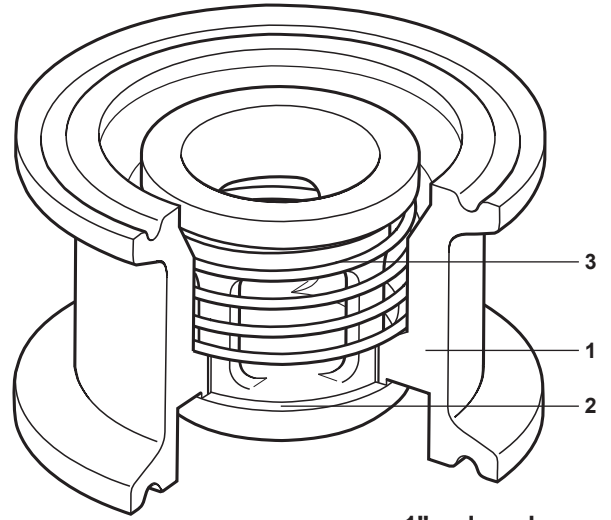
Note: Alternative connections and sizes are available on request.



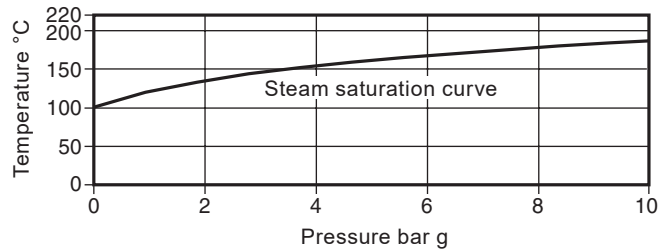
1" valve shown

Materials

No.	Part	Material
1	Body	Stainless steel 316L
2	Valve head	Stainless steel 316L
3	Spring	Stainless steel 316



Pressure/temperature limits

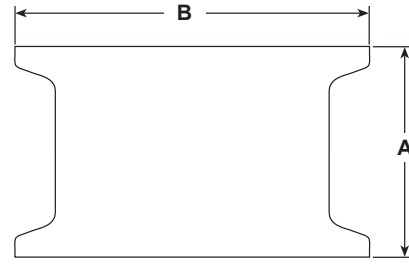


Body design conditions	PN10
PMA Maximum allowable pressure	10 bar g @ 220 °C
TMA Maximum allowable temperature	220 °C @ 10 bar g
Minimum allowable temperature	-254 °C
PMO Maximum operating pressure for saturated steam service	10 bar g
TMO Maximum operating temperature	220 °C @ 10 bar g
Minimum operating temperature	0 °C
Designed for a maximum cold hydraulic test pressure of:	15 bar g

Dimensions/weights (approximate) in mm and kg

Sanitary clamp

Size	A	B		Weight
		ASME	DIN	
1/2"	40	25.0	34.0	0.5
3/4"	40	25.0	34.0	0.5
1"	25	50.5	50.5	0.6
1 1/2"	30	50.5	50.5	0.9
2"	35	64.0	64.0	1.2



K_v values

Size	1/2"	3/4"	1"	1 1/2"	2"
K _v	2	2	4	8	18

For conversion:

$$C_v \text{ (UK)} = K_v \times 0.963$$

$$C_v \text{ (US)} = K_v \times 1.156$$

Opening pressures

Differential pressure with zero flow in mbar.

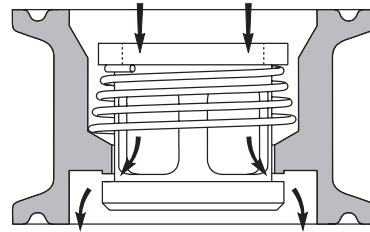
→ Flow direction

Size	1/2"	3/4"	1"	1 1/2"	2"
→	35	35	35	35	35
↑	39	39	39	39	39
↓	31	31	31	31	31

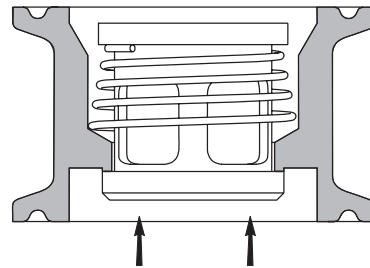
Operation

The valve is opened by the pressure of the fluid. When fluid flow stops the spring closes the valve before reverse flow can occur.

Valve open



Valve closed



Safety information, installation and maintenance

For full details see the Installation and Maintenance Instructions (IM-P029-11) supplied with the product.

How to order

Example: 1 off Spirax Sarco 1" CVS10-1 sanitary check valve with metal seat, ASME BPE sanitary clamp connections, and having an internal surface finish of 0.5 micron Ra (20 micro inch). Complete with certification dossier.

Spare parts

There are no spare parts available for this product