

## Spiratec ITS Integral Sensor Chamber Installation and Maintenance Instructions

### Description

The Spiratec ITS integral sensor chamber is an assembly designed to be fitted into the full range of BPT Y-type steam traps to indicate if the traps are leaking steam. A check can be made manually using a Spiratec Type 40 hand held indicator or automatically by connecting into a Spiratec R16E.

### Available types

ITS-1 for use with BPT21Y steam traps.

### Limiting conditions

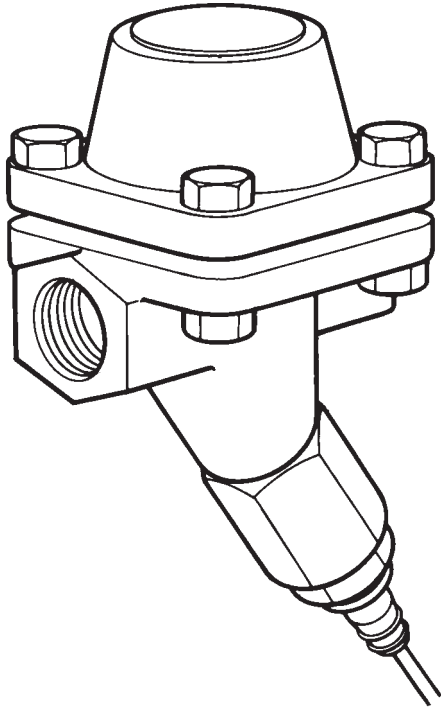
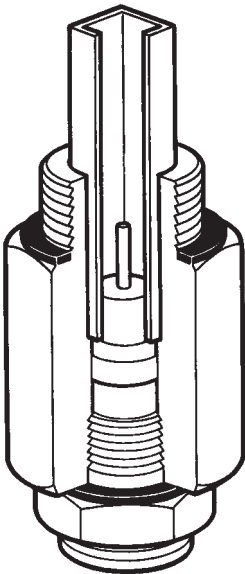
Maximum working conditions 32 bar g at 239°C\*

The sensor chamber should not be fitted when superheated steam conditions can occur at the trap.

**\*Note:** Limiting conditions of the trap to which ITS is fitted are less than this figure. Please refer to detailed instructions supplied with each trap.

### Installation

For optimum operation the ITS sensor chamber should only be fitted into BPT Y-type traps which are installed in horizontal lines with the cover at the top, although vertical installation (with downward flow) is normally acceptable. No other attitude will give acceptable performance.



---

## Spare parts

### Available spare

Sensor and sensor gasket	A, B
--------------------------	------

### Optional extra

Blanking plug - To protect the sensor from dirt.

### How to order spares

Always order spares by using the description given in the column headed 'Available spare'.

**Example:** 1 - Sensor and sensor gasket for ITS-1 integral sensor chamber.

### How to fit the integral sensor chamber

Before attempting to fit integral sensor chamber ensure that the trap is fully isolated.

The strainer cap and cylindrical screen must be removed from the trap, the gasket face cleaned, and the integral sensor chamber may then be fitted in place of the cap/screen.

Orientation of the square tube is not important.

**Note:** Remove the protective cover from the sensor before turning steam on.

### Maintenance of integral sensor

It is recommended that the sensor is removed periodically to inspect / clean the insulation. Any pitting in the insulation indicates the sensor needs changing. Frequency of this inspection will depend upon the conditions of the condensate.

### Recommended tightening torques

ITS-1 assembly	50/56 N m	(33 mm A/F)
Sensor (A)	50/56 N m	(24 mm A/F)

