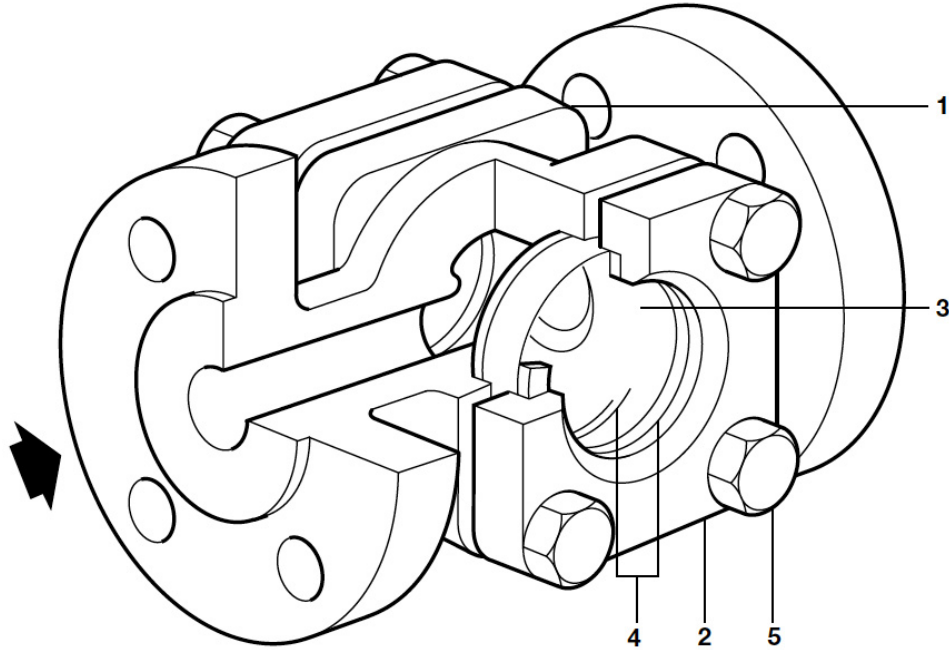




# spirax sarco

TI-D129-02  
BR Rev00

## SGC40 and SGS40 Sight Glasses



### Description

The SGC40 cast carbon steel and SGS40 stainless steel are double window sight glasses having screwed, socket weld, sanitary clamp and flanged connections.

### Standards

These products fully comply with the requirements of the European Pressure Equipment Directive 97 / 23 / EC and carry the **CE** mark when so required.

### Certification

These products are available with a manufacturer's Typical Test Report and if specified certification to EN 10204 3.1. **Note:** All certification / inspection requirements must be stated at the time of order placement.

### Optional extras:

- Visual flow indicator flap to check the flow of the liquid in the pipeline.
- Spring: The visual flow indicator flap can be spring loaded for applications on vertical lines or where there is high flowrates.
- Mica glass protectors for severe applications - When these have been specified the nomenclature becomes SGC40M and SGS40M. Please see table below to identify when Mica glass protectors are to be used.

Application	Glass choice to be used
Steam or > pH9	Mica glass protectors and Borosilicate glass windows
>150°C and > pH7	Mica glass protectors and Borosilicate glass windows
<150°C and < pH7	Borosilicate glass windows only

### Sizes and pipe connections

½", ¾", 1", 1¼", 1½" and 2"

Screwed BSP, NPT and Socket weld.

DN15, DN20, DN25, DN40 and DN50

Sanitary clamp connections to ASME BPE.

DN15, DN20, DN25, DN32, DN40, DN50, DN65, DN80 and DN100  
Flanged EN 1092 PN40, ASME (ANSI) Class 150 and Class 300, JIS/ KS 10 and JIS/KS 20.

Flanged versions have face-to-face dimensions in accordance with EN 558 Series 1.

### Materials

No.	Part	Material
1	Body	<b>SGC40</b> Carbon Steel EN 10213-2 1.0619+N & ASTM A216 WCB
		<b>SGS40</b> Stainless Steel EN 10213-4 1.4308 & ASTM A351-CF8
2	Cover	<b>SGC40</b> Carbon Steel EN 10213-2 1.0619+N & ASTM A216 WCB
		<b>SGS40</b> Stainless Steel EN 10213-4 1.4308 & ASTM A351-CF8
3	Window	Borosilicate glass DIN 7080
4	Gaskets	Reinforced exfoliated graphite
5	Cover bolts	Stainless steel EN ISO 3506-1 A2-70

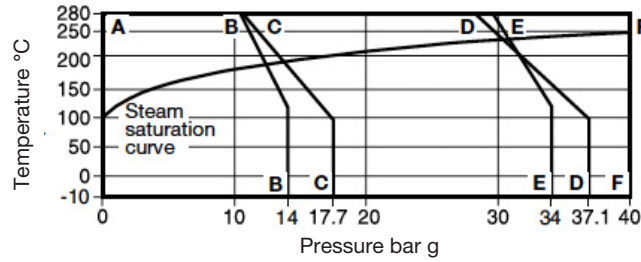
### Materials - Optional extras

Please note that the optional extras listed below are not shown in the above illustration.

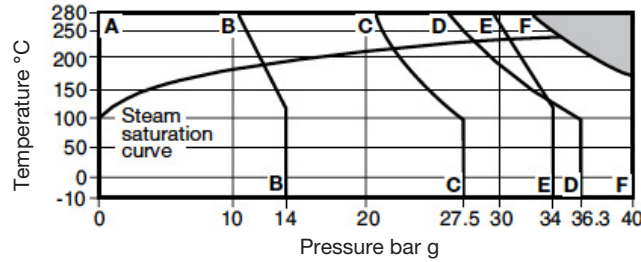
6	Visual flow indicator flap	Stainless Steel
7	Spring	Stainless Steel
8	Glass protectors	Mica

**Pressure / temperature limits**

**SGC40**  
Carbon Steel



**SGS40**  
Stainless Steel



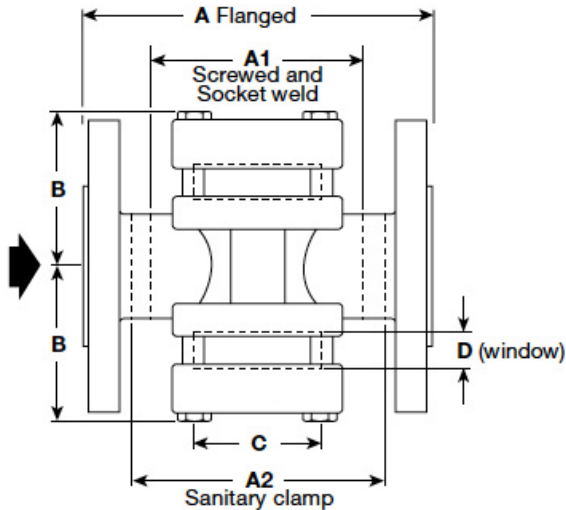
The product must not be used in this region.

- A-B-B** Flanged JIS 10 and KS 10.
- A-C-C** Flanged ASME (ANSI) 150.
- A-D-D** Flanged EN 1092 PN40.
- A-E-E** Flanged JIS 20 and KS 20.
- A-F-F** Screwed BSP, NPT, Sanitary clamp, Socket weld and Flanged ASME (ANSI) 300.

Body design conditions			PN40
PMA	Maximum Allowable Pressure	SGC40	40 bar g @ 280°C
		SGS40	40 bar g @ 178°C
TMA	Maximum allowable temperature	SGC40	280°C @ 40 bar g
		SGS40	280°C @ 32.5 bar g
Minimum allowable temperature			-10°C
		PN40	SGC40 31.3 bar g @ 238°C
			SGS40 28 bar g @ 230°C
PMO	Maximum operating pressure for saturated steam service	ASME (ANSI) 150	SGC40 14 bar g @ 198°C
			SGS40 22.5 bar g @ 220°C
		ASME (ANSI) 300	SGC40 40 bar g @ 250°C
			SGS40 33 bar g @ 240°C
		JIS 10 and KS 10	14 bar g @ 120°C
		JIS 20 and KS 20	34 bar g @ 120°C
TMO	Maximum operating temperature	SGC40	280°C @ 40 bar g
		SGS40	280°C @ 32.5 bar g
Minimum operating temperature			-10°C
<b>Note:</b> For lower operating temperatures consult Spirax Sarco			-10°C
Designed for a maximum cold hydraulic test pressure of:			60 bar g

**Dimensions / weights (approximate) in mm and kg**

Size	A	A1	A2	B	C	D	Flg	Weight Scr SW	Sanitary Clamp
DN15	130	95	120	50	45	10	3.0	2.5	2.5
DN20	150	95	140	50	45	10	4.0	3.0	3.0
DN25	160	95	155	70	63	15	5.0	3.5	4.5
DN32	180	-	-	70	63	15	6.0	4.0	-
DN40	200	-	200	90	80	20	9.0	5.5	6.0
DN50	230	-	230	90	80	20	11.0	7.5	8.0
DN65	290	-	-	130	115	30	28.0	-	-
DN80	310	-	-	150	115	30	37.0	-	-
DN100	356	-	-	160	115	30	43.0	-	-



**Safety information, installation and maintenance**

For full details see the Installation and Maintenance Instructions (IM-P130-29) supplied with the product.

**Warning:**

Under certain conditions corrosive elements in the flow media can affect the inside face of the window, particularly where caustic alkali and hydrofluoric acid are present. Mica glass protectors must be used to protect the glass when the unit is used on steam applications or when the ph is higher than ph9 or when the temperature is above 150°C with a ph greater than ph7. Regular inspection of the glass to check for thinning of the window must be undertaken based on an assessment of your system. If there is evidence of thinning or erosion damage then the window should be replaced immediately. Always wear eye protection when viewing the contents of the sight glass. Reasonable steps should be taken to protect personnel from injury in the unlikely event that the window breaks.

**Installation and maintenance note:**

Apply the appropriate grease to SGS40 stainless steel connections and bolting to avoid cold welding. Sight glasses should have stop valves fitted on both the inlet and outlet. It is imperative that the upstream stop valve is closed first in order to prevent overpressurisation. Sight glasses must be fitted on the outlet side of a steam trap in either a horizontal or vertical pipeline in accordance with the flow arrow on the body. Warning: when the optional visual flow indicator flap is requested for horizontal flow applications the hinge must be placed uppermost otherwise it will not work for the purpose intended. Where the trap is a blast discharge type e.g. thermodynamic, the sight glass must be fitted at least 1 m from the trap. This is to ensure that the glass is not subjected to thermal shock or pressure. Ensure access is available for maintenance purposes.

**Disposal**

The product is recyclable. No ecological hazard is anticipated with disposal of this product providing due care is taken.

**How to order**

Example: 1 off Spirax Sarco DN20 SGS40 sight glass having a stainless steel body, removable toughened glass windows and flanged EN 1092 PN40 connections.

The unit must be supplied complete with the optional 'visual flow indicator flap' and the 'Mica glass protectors'.

**Spare Parts**

The spare parts available are shown in solid outline. Parts drawn in broken line are not supplied as spares.

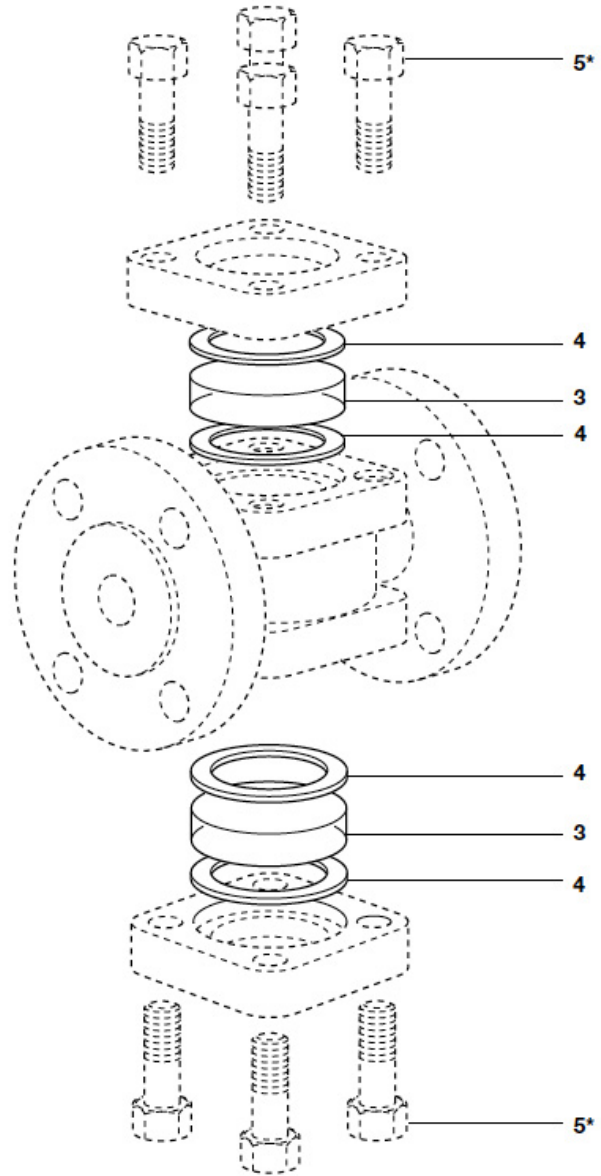
**Available spares**

Set of windows and gaskets	3, 4
Set of gaskets	4
Visual flow indicator flap (not shown)	6
Mica glass protectors (not shown)	8

**How to order spares**

Always order spares by using the description given in the column headed 'Available spares' and state the size and type of the sight glass.

**Example:** 1 off Set of windows and gaskets for a Spirax Sarco SGS40 sight glass.



\* Item 5 is not an available spare.

**Recommended tightening torques**

Item	Size	Qty	Diagram	ou mm	N m
5	DN15 - DN20	8		M10 X 35	12
	DN25 - DN32	8		M21 X 50	28
	DN40 - DN50	8		M12 X 60	38
	DN65 - DN100	8		M16 X 100	132