

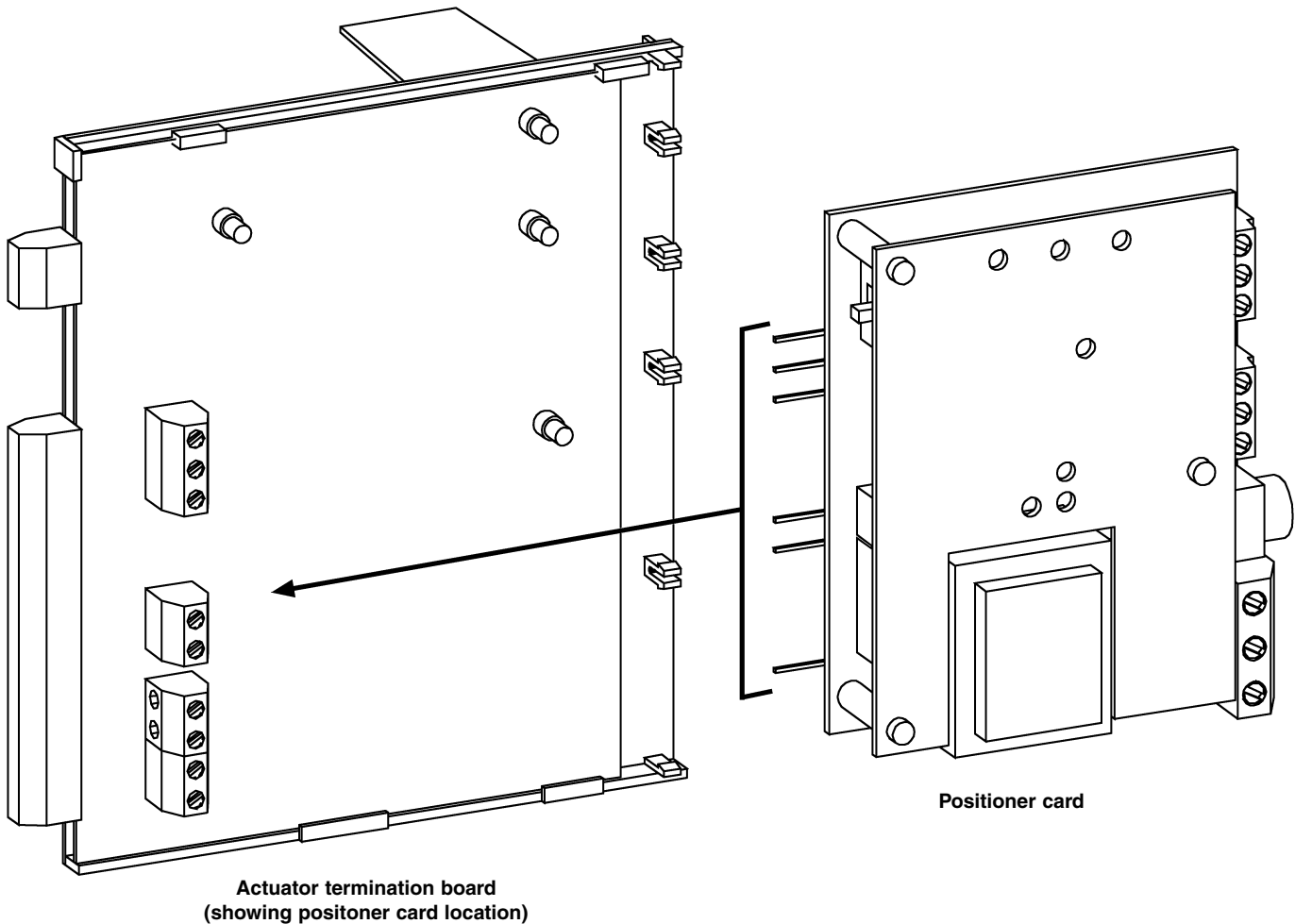
spirax sarco®

Accessories for EL5600 Series Actuator

Available types and technical data

EL5961 - 230 Vac positioner card	Power consumption 1 VA
EL5962 - 115 Vac positioner card	Power consumption 1 VA
EL5963 - 24 Vac positioner card (except for EL5643 and EL5653)	Power consumption 1 VA
EL5964 - 24 Vac positioner card (For EL5643 and EL5653 actuator only)	Power consumption 1 VA
EL5951 - 2 auxiliary limit switches	2 off 5 A 230 Vac including cams, mounting kit, wiring and terminals
EL5952 - Auxiliary feedback potentiometer	1000 ohms including mounting kit and pinion (fitted as standard)
EL5953 - Tandem feedback potentiometer	2 x 1000 ohms including mounting kit and pinion
EL5954 - 115 - 230 V anti-condense heater	
EL5956 - 24 V anti-condense heater	

For information on EL5600 series actuators see TI-P358-07 US and TI-P358-09 US.

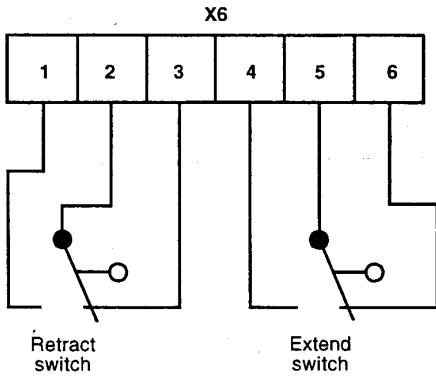


Accessories for EL5600 Series Actuator

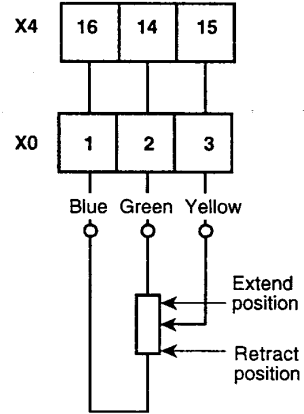
Wiring diagrams

(Note: X0, X4, X5, X6, X8 and X9 refer to termination board location)

EL5951 auxiliary switches

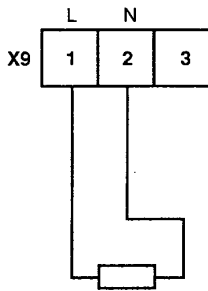


EL5952 feedback potentiometer and EL5953 1st output from tandem potentiometer

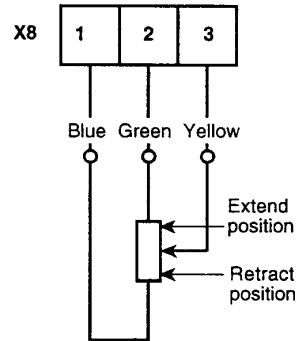


Anti-condense heater

EL5954 110 - 250 V and EL5956 12 - 36 V



EL5953 2nd output from tandem potentiometer



Positioner card layout

Positioners input impedance

Signal	Resistance
2-10 V	50 k Ω
4-20 mA	100 Ω

