

spirax sarco

SGS10 Stainless Steel Sanitary Sight Glass

Description

The SGS10 sanitary sight glass is a full view, full port sight glass suitable for a wide range of high purity applications in the food, medical, and bio-pharmaceutical industries.

The unit is designed in accordance with the 3A's sanitary standards and is manufactured from 316 stainless steel and toughened borosilicate.

Surface finish

Internal surface finish - <0.4 uRa (15 micro inch).

Standards:

- The SGS10 has been designed in full accordance with 3A's sanitary standard 65-00 - design criteria for sight glasses.
- All elastomers used comply with FDA regulation CFR 21 paragraph 177 section 2600.

Certification

This product is available with the following certification:

- EN 10204 3.1 material certifications.
- Certification to 3A's standard No. 65-00 - design criteria for sight glasses.
- Certificate of conformity including internal surface finish.
- Certification of elastomer FDA compliance.

Note: All certification/inspection requirements must be stated at the time of order placement.

Packaging

Packaging for this product is conducted in a clean environment, segregated from other non stainless steel products, and in accordance with the current edition of ASME BPE. Inlet and outlet connections are capped and the product is sealed in a plastic bag or shrink wrapped prior to boxing.

Sizes and pipe connections

1/2", 3/4", 1", 1 1/2" and 2" available as standard.
2 1/2", 3" and 4" are available to special order.

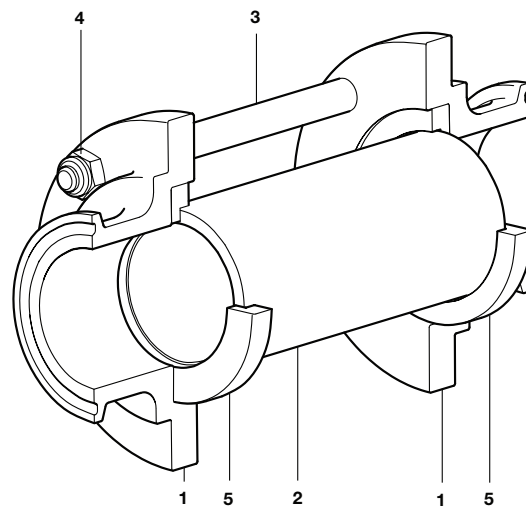
- ASME BPE clamp.

Connections available to special order:

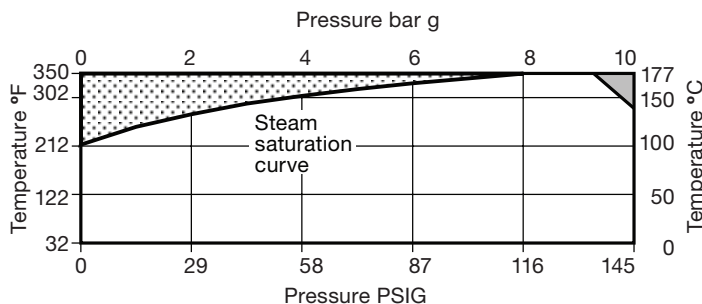
- Sanitary clamp to DIN 32676.

Materials

| No. | Part | Material |
|-----|-----------------------|----------------------------------|
| 1 | Body (sanitary clamp) | Stainless steel 316 |
| 2 | Glass | Borosilicate |
| 3 | Tie rods | Stainless steel 316 |
| 4 | Nuts | Stainless steel 316 |
| 5 | Seals | 1/2" - 3/4" FDA compliant teflon |
| | | 1" - 4" FDA compliant viton |



Pressure/temperature limits



The product **must not** be used in this region.

The product should not be used in this region or beyond its operating range as damage to the internals may occur.

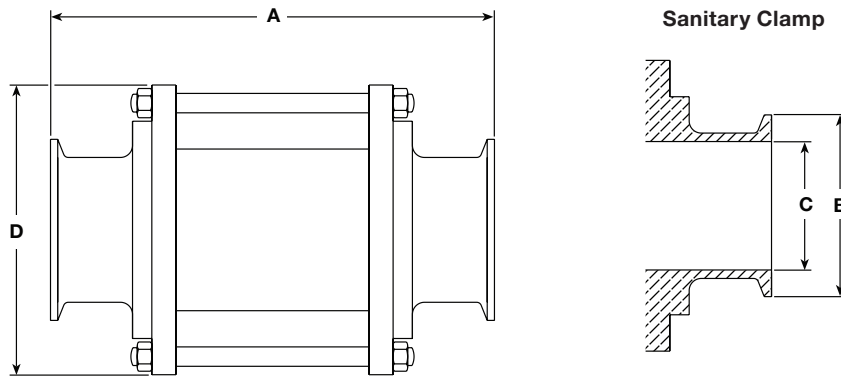
Note: For hygienic/sanitary clamp ends the maximum pressure / temperature may be restricted by the gasket or sanitary clamp used. Please consult Spirax Sarco.

| | |
|---|---------------------------------------|
| Body design conditions | PN10 |
| PMA Maximum allowable pressure | 145 PS1G @ 284°F 10 bar g @ 140°C |
| TMA Maximum allowable temperature | 350°F @ 133 PS1G 177°C @ 9.2 bar g |
| Minimum allowable temperature | -425°F -254°C |
| PMO Maximum operating pressure for saturated steam service | 87 PSIG 6 bar g |
| TMO Maximum operating temperature | 329°F @ 87 PSIG 165°C @ 6 bar g |
| Minimum operating temperature | 32°F 0°C |
| Designed for a maximum cold hydraulic test pressure of 15 bar g | |

Local regulation may restrict the use of this product below the conditions quoted. Limiting conditions refer to standard connections only.
In the interests of development and improvement of the product, we reserve the right to change the specification.

Dimensions (approximate) in inches and mm for ASME BPE units

| Sanitary clamp | | | | | | | | | |
|----------------|--------|-------|--------|-------|--------|------|--------|-------|--------|
| Size | A | | B | | C | | D | | Weight |
| | inches | mm | inches | mm | inches | mm | inches | mm | lbs. |
| 1/2" | 5.2 | 131.4 | 1.0 | 25.2 | 0.4 | 9.4 | 1.9 | 47.0 | 1.0 |
| 3/4" | 5.2 | 131.4 | 1.0 | 25.2 | 0.6 | 15.8 | 2.0 | 50.0 | 0.8 |
| 1" | 5.6 | 143.0 | 2.0 | 50.5 | 0.9 | 22.1 | 3.1 | 79.0 | 2.6 |
| 1 1/2" | 5.9 | 151.0 | 2.0 | 50.5 | 1.4 | 34.8 | 3.3 | 85.0 | 2.5 |
| 2" | 6.1 | 155.0 | 2.5 | 64.0 | 1.9 | 47.5 | 4.1 | 105.0 | 3.7 |
| 2 1/2" | 6.1 | 155.0 | 3.1 | 77.5 | 2.4 | 60.2 | 4.4 | 112.0 | 3.7 |
| 3" | 6.2 | 157.0 | 3.6 | 91.0 | 2.9 | 72.9 | 4.9 | 125.0 | 4.8 |
| 4" | 6.4 | 163.0 | 4.7 | 119.0 | 3.8 | 97.4 | 6.2 | 157.0 | 7.2 |



Safety information, installation and maintenance

For full details see the Installation and Maintenance Instructions (IM-P130-26) supplied with the product.

Installation Note

The SGS10 is intended for use in both the vertical and horizontal position. When installed vertically it can be considered self-draining.

Note: The unit must be handled carefully to ensure that the glass and surface finishes are not damaged.

Spare parts

The spare parts available are shown in solid outline. Parts drawn in broken line are not supplied as spares.

Available spares

| | |
|--------------------|------|
| Glass and seal kit | 2, 5 |
|--------------------|------|

