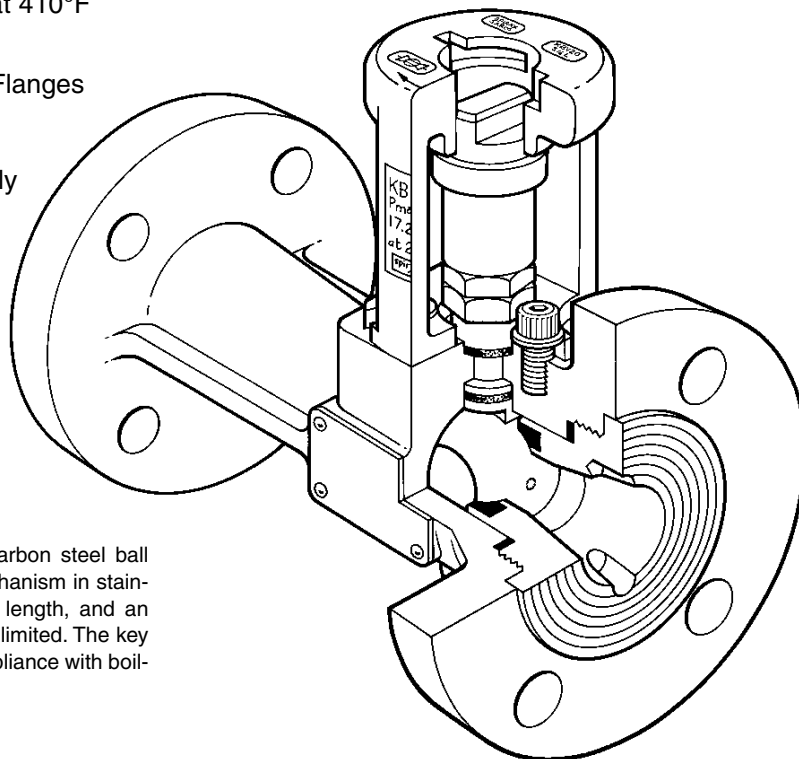


spirax sarco®

KBV 20 Key Operated Boiler Blowdown Valve

- Purpose designed for boiler blowdown applications
- Suitable for boiler pressures up to 250 psig at 410°F (17.25 barg at 208°C)
- Wide size range 1" to 2-1/2" with ANSI 300 Flanges
- Key removable only when valve closed
- Can be pneumatically actuated retrospectively



General description

The key operated boiler blowdown valve consists of a carbon steel ball valve with reinforced PTFE seats and a key operated mechanism in stainless steel. Two types of key are available, one standard length, and an extended 'T'-bar type for use where access to the valve is limited. The key cannot be removed when the valve is open, to ensure compliance with boiler regulations.

Applications

The valve is specifically designed for boiler blowdown applications, and is particularly suitable for use where a timed blowdown system is not required. See separate literature for timed systems.

Limiting conditions

Maximum allowable pressure 250 psig at 410°F (17.25 barg at 208°C)
Cold hydraulic test pressure 1130 psig (78 barg - class 300)

Materials

Part	Material
Body	Carbon steel ASTM A216 WCB
Seats	Carbon reinforced PTFE
Ball	Austenitic stainless steel AISI 316
Stem	Stainless steel AISI 420 or 316
Housing	Austenitic stainless steel AISI 316L
Adaptor	Austenitic stainless steel AISI 316L
Key	Austenitic stainless steel AISI 316L
'T' bar	Carbon steel

Note: Key and 'T' bar supplied separately

Sizes and pipe connections

Sizes 1", 1-1/2", 2", 2-1/2"
Flange ANSI 300

*Local regulation may restrict the use of this product below the conditions quoted. Limiting conditions refer to standard connections only.
In the interests of development and improvement of the product, we reserve the right to change the specification.*

TI-9-303-US 09.97

KBV 20 Key Operated Boiler Blowdown Valve

Dimensions (approximate) in inches and millimeters

Size	A	B	C	D	E	F	Weight lb (kg)
1"	6.5" (165)	4.5" (114)	1.4" (35)	-	-	0.8" (21)	13.2 (6.0)
1-1/2"	7.5" (190)	5.0" (126)	1.4" (35)	-	-	1.2" (31)	21.8 (9.8)
2"	8.5" (216)	5.3" (134)	1.4" (35)	-	-	1.5" (38)	26.5 (12.0)
2-1/2"	9.5" (241)	5.7" (146)	1.4" (35)	-	-	2.0" (51)	39.7 (18.0)
Standard key				1.3" (32)	10.2" (258)		
T bar key				19.7" (500)	14.8" (375)		

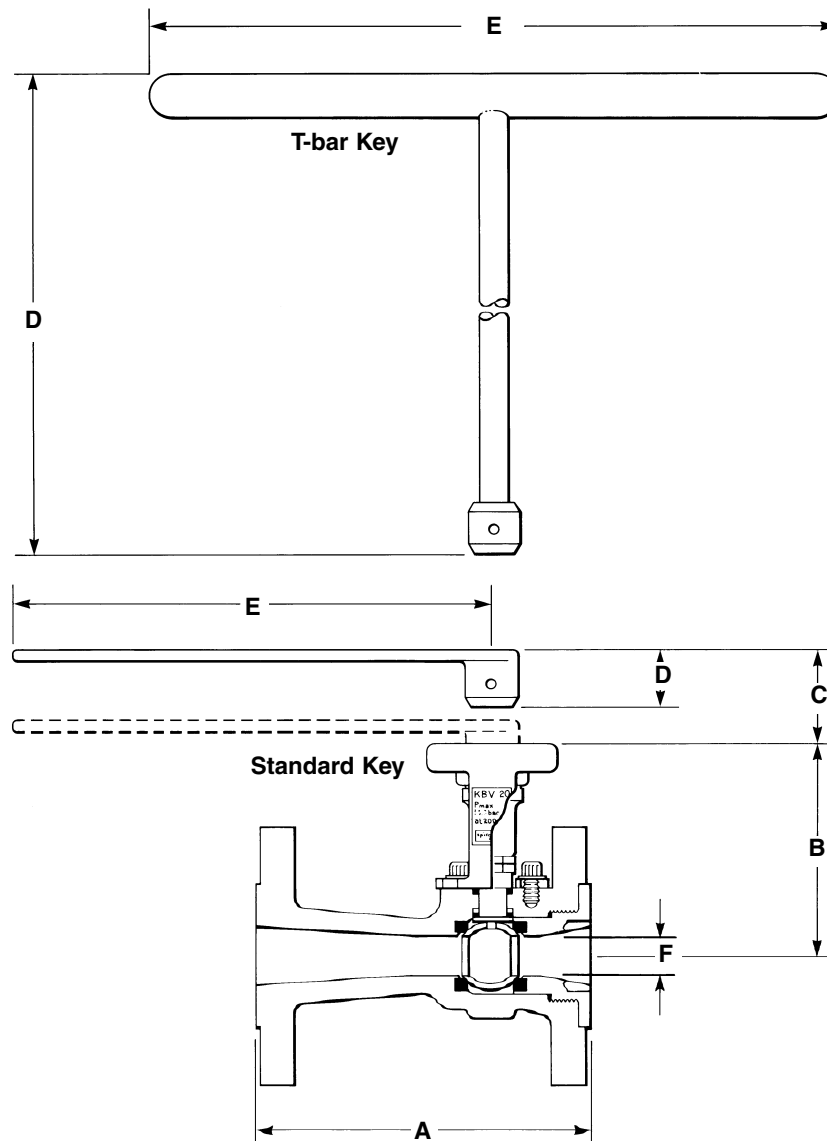
* Keys supplied separately

How to specify

Key operated blowdown valve with Austenitic Stainless Steel interlock mechanism.

How to order

2 - Spirax Sarco Key Operated Boiler Blowdown Valves KBV 20, flanged ANSI 300
 1 - Standard key for KBV 20



© Spirax Sarco, Inc. 1997

TI-9-303-US 09.97