

# spirax/sarco®

## DS 1000 Digital Display

- Loop powered 4-20mA input
- Pre-calibrated for percentage indication
- Can be scaled for any engineering units
- NEMA 4 front panel seal

### Description

The Spirax Sarco DS 1000 is connected in series with a 4-20mA current loop to provide an LCD display, in engineering units, of the process variable represented by the current flow.

It has many uses for level, conductivity, temperature, or pressure indication. A specific application example is to provide a panel mounted display of TDS for the BC 1100 TDS blowdown controller, which is normally fitted inside a boiler panel. It is supplied calibrated in percentage units to display 00.0 at 4mA, and 100.0 at 20mA. Jumper links and potentiometers on the back of the instrument allow it to be scaled in any engineering units if required.

An aperture below the display shows the unit of measurement, and the special legend sheet supplied with the instrument enables alternative units of measurement to be selected if required.

The DS 1000 is housed in a 3.78" x 1.89" (96 x 48mm) DIN standard panel mounted case and has a 0.5" (12.7mm) high 3-1/2 digit LCD, with a selectable decimal point.

Because the instrument is loop powered it needs no external power supply. It requires less than 3 volts from the loop for operation.

### Limiting conditions

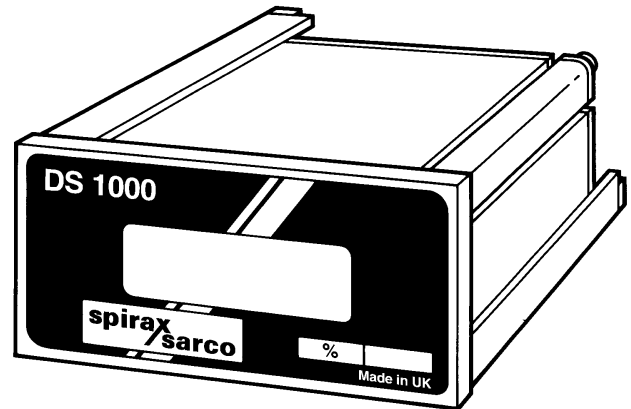
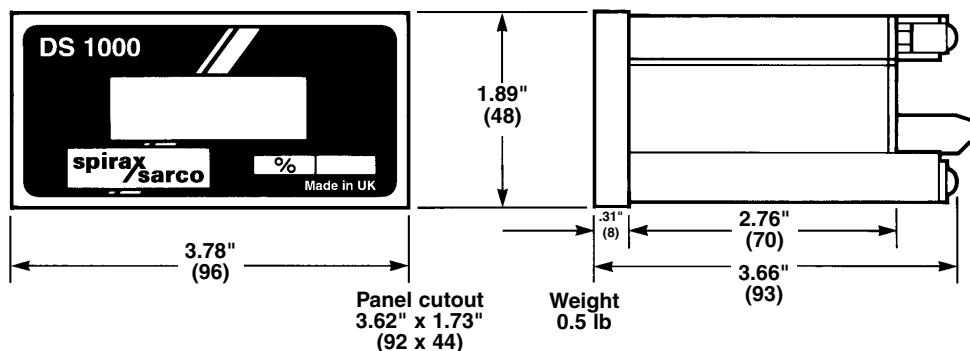
Maximum ambient temperature	122° F (50°C)
Minimum ambient temperature	32°F (0°C)
Protection rating	NEMA 4 (Front panel only)

### Installation

The DS 1000 is fitted in a 3.62" x 1.73" (92 x 44mm) aperture in the boiler panel and is retained by two metal clamp bars, on diagonally opposite corners, fitted from the rear and retained by two sliding brackets and screws.

Fitting, removal, and calibration can be carried out without dismantling the instrument or removing any screws. It should not be installed adjacent to switch gear, electromagnetic starters, contactors, thyristor power units, or motors.

### Dimensions approximate in inches (millimeters)



### Materials

Front bezel/back panel	Nylon 6-glass filled
Case	Aluminum

### Technical data

	68°F (20°C)
Input	4-20mA 2 wire
Display	0.5" (12.7mm) high LCD 3-1/2 digit
Volt drop	<3 Volt
Rangeability:-	
Zero	± 1000 counts
Span	200/2000 counts
Decimal point	Any position
Accuracy	± 1 count
Sample rate	3 readings/second
Fuse rating	63mA (PCB mounted)

### How to specify

4-20mA loop powered digital display with legend sheet.

### How to order

Spirax Sarco digital display DS 1000

TI-9-116-US 06.01