

spirax/sarco®

LCV1 Bronze Lift Check Valve

Description

The LCV1 is a bronze lift check valve which is installed in horizontal lines to prevent reverse flow.

Sizes and pipe connections

1/2", 3/4", 1", 1-1/4", 1-1/2", 2" and 3".

Screwed NPT

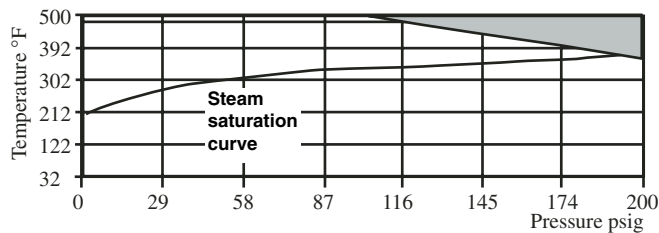
Limiting conditions

PMA - Maximum allowable pressure 200 psig

TMA - Maximum allowable temperature 500°F

Maximum cold hydraulic test pressure 406 psig

Operating range



The product must not be used in this region

Cv values

Size	1/2"	3/4"	1"	1-1/4"	1-1/2"	2"	3"
Cv	2.2	5.0	9.9	13.9	22.0	36.0	80.0

Opening pressures in inches of water

Without springs	→Flow pressures					
Size	1/2"	3/4"	1"	1-1/4"	1-1/2"	2"
→	2.5	3.0	2.6	2.9	2.9	2.8

With springs fitted the opening pressure is the same as the spring strength.

Materials

No	Part	Material
1	Body	Bronze
2	Cone	Brass
3	Cap	Brass
4*	Spring	Stainless steel

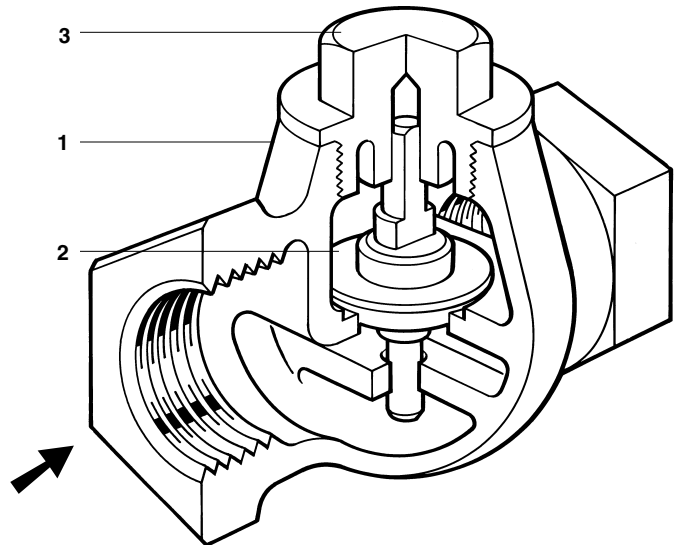
* Not illustrated

Installation

Always install with the flow in the direction as indicated on the body.

How to order

1/2" NPT Spirax Sarco LCV1 lift check valve.



Dimensions (approximate) in inches and lbs.

Size	A	B	C	D
Weight				
1/2"	2.1	1.8	0.7	1.4
3/4"	2.8	2.3	0.8	1.6
1"	3.4	2.8	1.1	2.2
1-1/4"	3.4	2.8	1.1	2.2
1-1/2"	4.3	3.6	1.4	2.8
2"	5.3	4.1	1.7	3.4
3"	7.1	6.0	2.4	4.8

