

spirax sarco®

Stainless Steel Filter 6" CSF26

The CSF26 is an in-line all 316 stainless steel filter suitable for use in steam, gas and liquid systems. The CSF26 is made of USDA approved material, and conforms to the requirements of 3-A Accepted Practice Number 609-01 for the production of culinary steam. The CSF26 utilizes a fully cleanable sintered stainless steel element for reduced cost of ownership.

Model	CSF26
Sizes	6"
Connections	ANSI 150
Construction	Body: 316 Stainless Steel Element: 316 Stainless Steel (3 Elements Required)
Element Rating	2.8 microns Absolute
Options	Tri-Clamp® compatible, BSP connections

Typical Applications

The CSF26 is ideally suited for culinary applications, where steam is being directly injected into food product, wash-down water, etc. Other applications include autoclaves, sterilizers and humidification systems often found in the healthcare and pharmaceutical industries.

Limiting Operating Conditions

Max. Operating Pressure (PMO) 195 psig/(13.4 barg)

Max. Operating Temperature (TMO) 375°F/(19°C)

Pressure Shell Design Conditions

PMA 200 psig/0-100°F 13.8 barg/0-38°C
Max. allowable pressure

TMA 375°F/0-95 psig 190°C/0-6.5 barg
Max. allowable temp.

Element Design Conditions 100 psig/70 barg

Max. element differential pressure
Housing is designed to contain (3) filter cartridges. Cartridges are not factory installed.

Construction Materials

No.	Part	Material
1	Tank Weldment	SA240-316
2	Cover Weldment	SA240-316
3	Davit Weldment	Carbon Steel
4	O-Ring	Nordel
5	Capture Plate	SA240-316
6	Hex Nut (8)	SA194GR8
7	Eyebolt - 5/8-11NC (14)	SA193B7
8	Hex Nut (14)	SA194GR2H
9	Washer (14)	ZP Steel
10	Pin (14)	SA193B7 ZP
11	Retainer (28)	SST
12	Stud 3/4" - 10NC	SA193B7 Zinc Plated
13	Hex Nut	SA194GR2H
14	Washer	ZP Steel
15	Crank Handle	Malleable Iron - ZP
16	Grease Fitting	303 S/S
17	Pipe Plug (3)	SA182F316
18	Pipe Plug (2)	SA182F316
19	Code Nameplate	302 S/S
20	Stencil Plate	S/S

Minimum Clearance

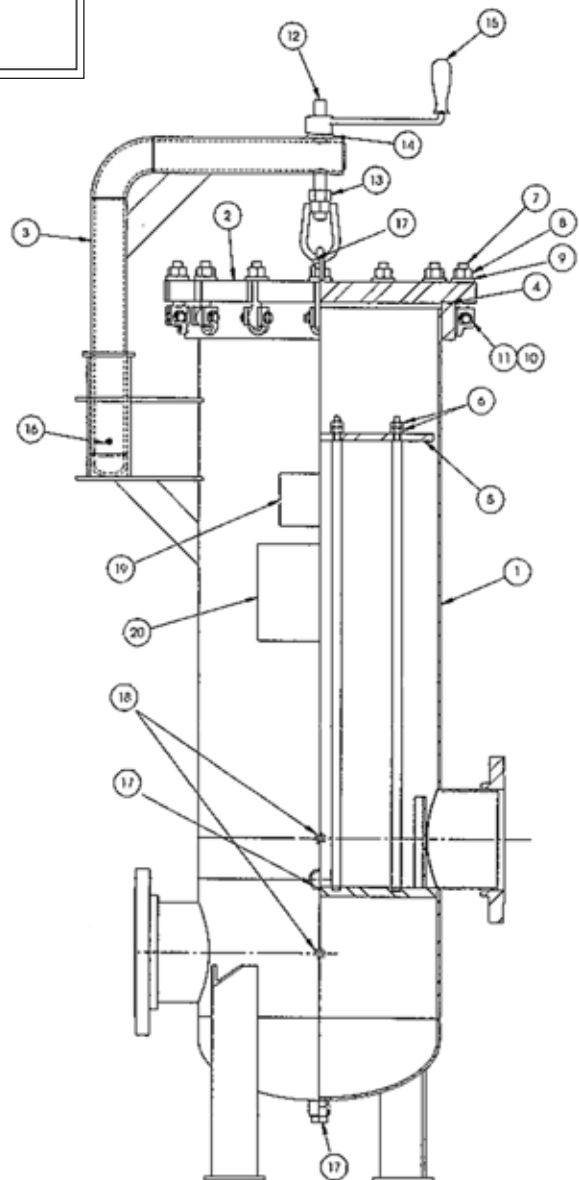
33" (838.2) minimum required for element removal

Surface Finish

All internal process wetted surfaces are 316 stainless steel material. The interior surface is electropolished. The exterior surface is left in the as-fabricated and as-welded condition, then electropolished.

Local regulation may restrict the use of this product below the conditions quoted. Limiting conditions refer to standard connections only.

In the interests of development and improvement of the product, we reserve the right to change the specification.



Stainless Steel Filter

6" CSF26

Connections

Inlet	6" - 150 lb ANSI RFSO Flange
Outlet	6" - 150 lb ANSI RFSO Flange
Drain	¾" NPT 3000 lb Half Coupling
Vent	¾" NPT 3000 lb Half Coupling
Pressure Tap	¼" NPT 3000 lb Half Coupling

Capacities — The following table lists CSF26 capacities, in lb/h of saturated steam, based on a pipeline velocity of 100 ft/s and an approximate differential pressure across the filter of 1 psi.

Steam Supply Pressure psig	Filter Size
	6"
10	4050
20	5625
40	8900
60	12050
100	18100
150	25000

For liquid and gas applications, consult factory.

Steam Filter Efficiency

The 2.8 micron absolute rated filter element will remove 100% of particles 2.8 micron particles and larger and 95% of 1 micron particles.

Filter Stations

Also available from Spirax Sarco are a range of steam filter stations which conform to the requirements of the 3-A Accepted Practice Number 609-01. Each filter station includes a moisture separator with trap-set, strainer, CSF26 filter, together with the necessary auxiliary products required for efficient steam filtration. Further details are available upon request.

Sample Specification

Steam filter shall be all 316 stainless steel, with cleanable sintered stainless steel element. Filter element to utilize double O-Ring seal, and be capable of removing 100% of all particles 2.8 microns and above. Body and element seals to be an FDA approved material.

Installation & Maintenance

When used in steam service, it is recommended to remove the plastic drain plug and fit the CSF26 with a condensate drain trap and and air vent (Spirax Sarco MST 21). To prolong service life and ensure optimum filter efficiency, a strainer and separator should be installed upstream of the filter. This will ensure that entrained moisture and larger solid particles such as rust and pipescale are removed prior to filtration.

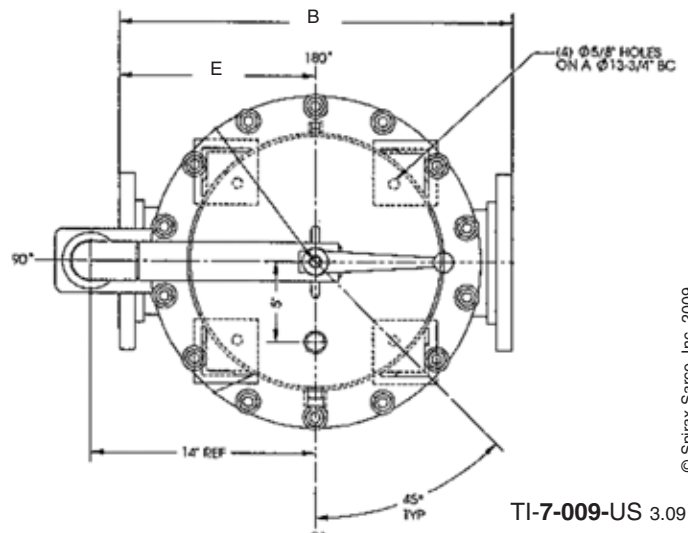
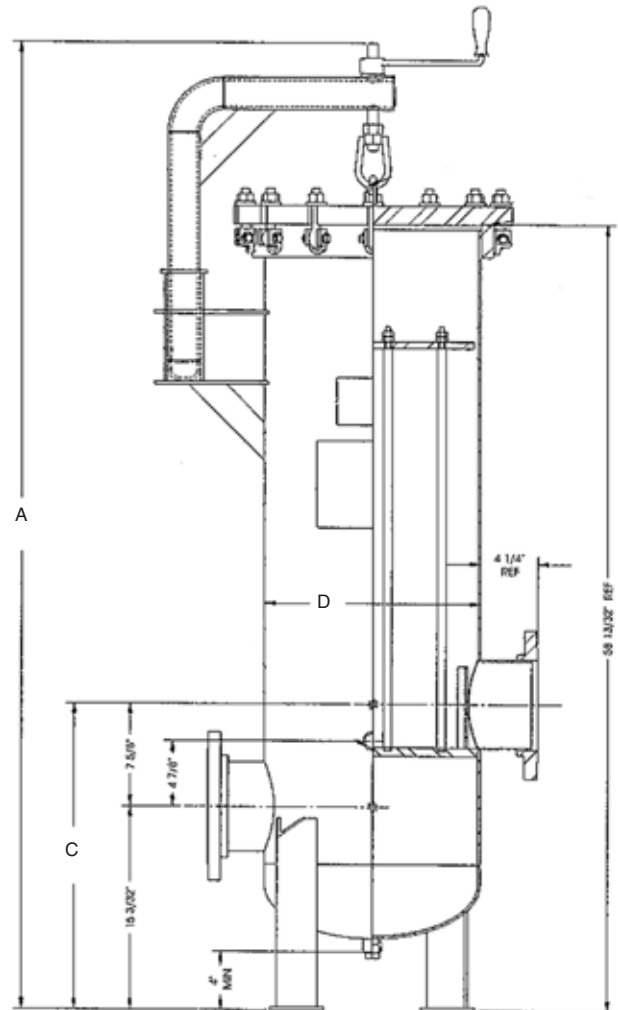
It is recommended that the elements be removed for cleaning when the differential pressure across the filter reaches 15 - 20 psi. Cleaning can be achieved either chemically or ultrasonically. **Complete installation and maintenance instructions, which include element cleaning procedures, accompany the product.**

Spare Parts

Filter Element with O-Rings
Filter Element O-Rings (Pack of 2)
Body O-Rings (Pack of 2)

Dimensions (nominal) in inches and millimeters

Size	A	B	C	D	E	Weight
6"	74 1880	24.5 622	22.72 577	16.0 406	12.25 311	490 lb 222 kg



TI-7-009-US 3.09