

spirax/sarco

Sanitary Pressure Gauge

Description

The hygienic pressure gauge for clean steam applications is made of stainless steel and can be used in adverse service conditions where pulsation or vibration exists. It is 3A compliant and suitable for corrosive environments and gaseous or liquid media that will not obstruct the pressure system.

Available dial size and ranges:

Dial Size	Range	Range	Range	Range
2-1/2"	0-30 psi	0-60 psi	0-100 psi	0-160 psi
4"	0-30 psi	0-60 psi	0-100 psi	30hg/60psi

Note: Other sizes and ranges are available through special request.

Certification

All certification/inspection requirements must be stated at the time of order placement.

Pipe connection 1½" sanitary clamp connection.

Note: Other pipe connections are available through a special quote.

Pressure/temperature limits

PMA	Maximum allowable pressure	Short time	1.3 x Full scale reading
		Steady	Full scale reading
		Fluctuating	0.9 x Full scale reading
TMA	Maximum allowable temperature	200°C	
	Minimum allowable temperature	-20°C	
PMO	Maximum operating pressure	Range 1	6 bar
		Range 2	10bar
TMO	Maximum operating temperature	184°C	

Accuracy

Accuracy	4" Dial = 0.5% Full Scale (ANSI Grade 2A)
	2-1/2" Dial = 1.0% Full Scale (ANSI Grade 1A)

When the temperature of the pressure element rises above 68°F add the accuracy error and when it falls below 68°F subtract the accuracy error.

Note: These errors are computer generated and for guidance only.

Installation note:

It is recommended that all gauges are fitted with suitable isolation valves to allow for safe maintenance/replacement. Fittings, clamps and gaskets for pipe end connections are not supplied.

Maintenance note:

The only maintenance work necessary is regular cleaning of the polycarbonate window. Solvents should not be used to clean the window as it may impair clarity.

Caution

Do not over-tighten the clamp as this may cause the gasket to spread/extrude.

Disposal

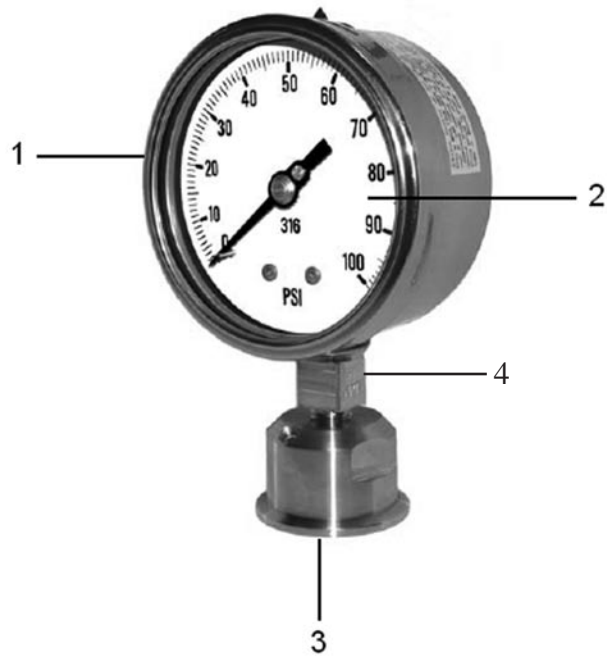
The product is recyclable. Care must be taken to ensure disposal of oil is carried out in accordance with national and local regulations regarding disposal of waste oil.

Spare parts

No spare parts are available for the hygienic pressure gauge.

How to order

Example: 1 off Spirax Sarco 2½" hygienic pressure gauge with a pressure range of 0 - 100 psi and having sanitary clamp connections.

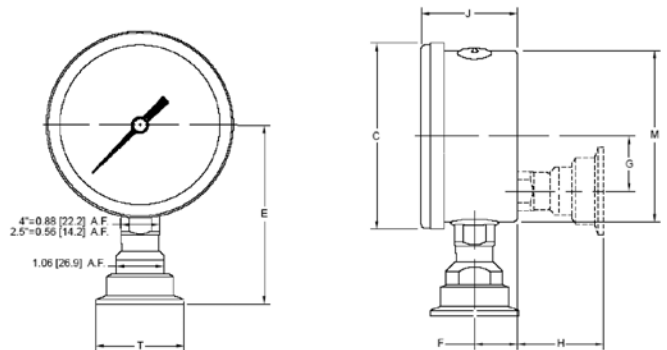


Materials

No.	Part	Material
1	Gauge case	Stainless steel
2	Gauge window	Laminated Safety Glass
3	Diaphragm	316 Stainless steel
4	Process Housing	316 Stainless Steel

Hermetically Sealed/Weather Proof

Dimensions/weight (approximate) in mm and kg



Dial Size		Tri-Clamp							
Dial Size	Size	C	E	F	G	H	J	M	T
2½"	1½"	2.72 [69.1]	2.87 [73]	0.39 [10]	CENTER	1.63 [41.5]	1.14 [29]	2.48 [63]	1.98 [50]
	2"	2.72 [69.1]	3.07 [78]	0.39 [10]	CENTER	1.83 [46.5]	1.14 [29]	2.48 [63]	2.51 [64]
4"	1½"	4.18 [106.2]	4.02 [102]	0.96 [24.4]	1.24 [24.4]	1.93 [49]	2.15 [54.6]	3.85 [97.8]	1.98 [50]
	2"	4.18 [106.2]	4.21 [107]	0.96 [24.4]	1.24 [54]	2.12 [54]	2.15 [54.6]	3.85 [97.8]	2.51 [64]

Local regulation may restrict the use of this product below the conditions quoted. Limiting conditions refer to standard connections only.

In the interests of development and improvement of the product, we reserve the right to change the specification.