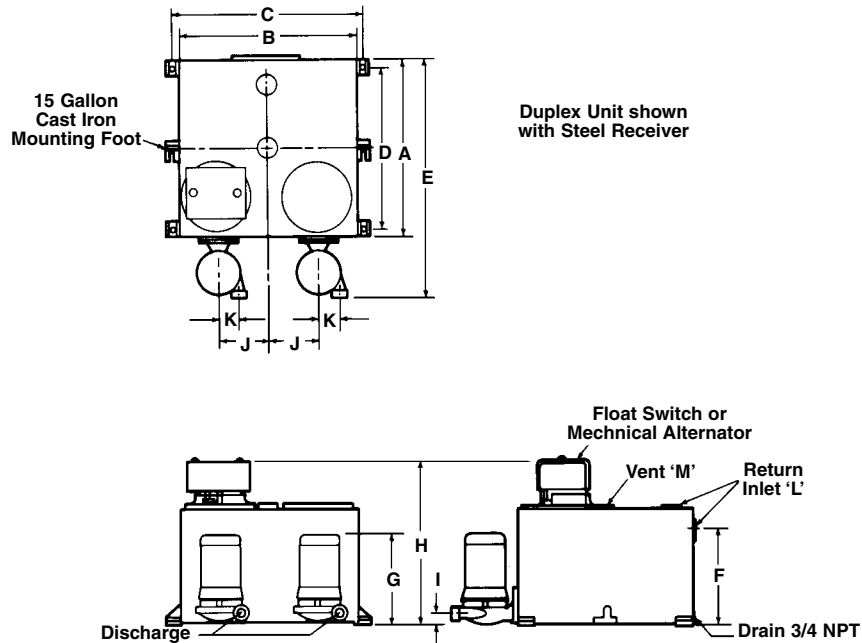


spirax sarco®

Pump Dimensions “V” Series

VC, VJ, & VE Pumps with Rectangular Cast Iron or Steel Receivers



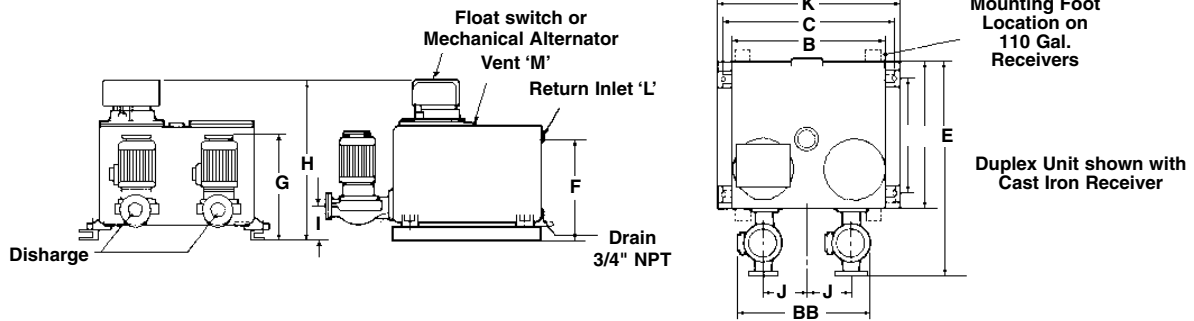
Dimensions (nominal) in inches & millimeters

Capacity sq. ft. E,D,R.	Receiver Capacity gal.	A	B	C	D	E	F	G	H	I	J	K	L	M
Cast Iron Receiver														
1,000 to 4,000	15	15 381	17.5 445	19.5 495	∅	28 711	13 330	16-19 406-483	22 559	4 102	5.25 133	4 102	2 -	1 -
1,000 to 15,000	21	21 533	22.75 578	26 660	14.75 375	34 864	10.25 260	16-21 406-533	19.5 495	4 102	6 152	4 102	2 -	1-1/4 -
20,000 to 30,000	45	26 660	26.75 679	28.75 730	20 508	39 991	15 381	16-21 406-533	23.75 603	4 102	7.5 190	4 102	2-1/2 -	1-1/2 -
40,000 to 50,000	65	28.5 724	28.5 724	30.75 781	22.75 578	41.5 1054	19.5 495	16-21 406-533	29 737	4.75 121	7.5 190	4 102	3 -	2 -
65,000 to 100,000	110	30 762	36.25 921	42 1067	32 813	44 1118	19.5 495	18-28 457-711	28.5 724	4 102	7.5 190	4 102	5 -	2 -
Steel Receiver														
1,000 to 15,000	21	18 457	24 610	26.4 671	16.1 409	31 781	9 229	16-19 406-483	19 483	4 102	6 152	4 102	2-1/2 -	1-1/4 -
20,000 to 30,000	45	24 610	24 610	26.4 671	22.1 561	37 940	15.5 394	16-21 406-533	25 635	4 102	6 152	4 102	3 -	1-1/2 -
40,000 to 50,000	65	24 610	24 610	26.4 671	22.1 561	37 940	21.5 546	16-21 406-533	30.5 775	4 102	6 152	4 102	3 -	2 -
65,000 to 100,000	110	30.5 775	42.5 1080	45 1143	25 635	44.5 1130	17 432	18-28 457-711	27 686	4 102	11 279	4 102	4 -	2 -

Local regulation may restrict the use of this product below the conditions quoted. Limiting conditions refer to standard connections only.
In the interests of development and improvement of the product, we reserve the right to change the specification.

Pump Dimensions "V" Series

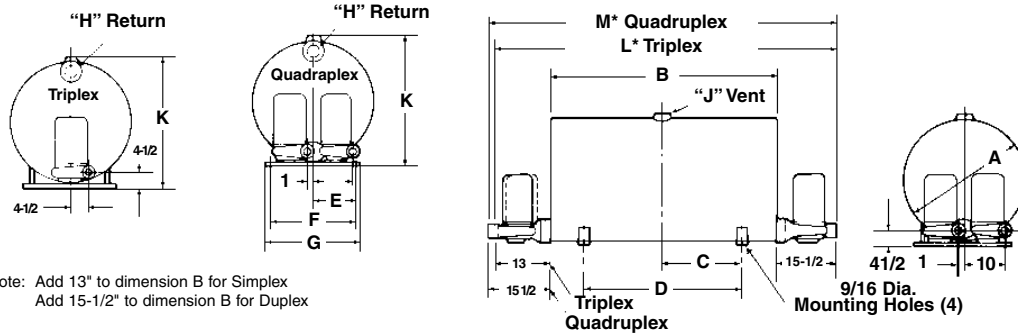
VA Pumps with Rectangular Cast Iron or Steel Receivers



Dimensions (nominal) in inches & millimeters

Capacity sq. ft. E,D,R.	Receiver Capacity gal.	A	B	C	D	E	F	G	H	I	J	K	L	M	BB
Cast Iron Receiver															
1,000 to 30,000	45	26 660	26.75 679	28.75 730	20 508	47 1194	18 437	28.75 730	26.75 679	7 178	7.5 191	31.75 806	2-1/2 63	1-1/2 38	28 711
40,000 to 50,000	65	28.5 724	28.5 724	30.75 781	22.75 578	49.5 1257	22.5 571	28.75 730	32 813	7 178	7.5 191	33.5 851	3 75	2 50	28 711
65,000 to 100,000	110	30 762	42 1067	36.25 921	32 813	51 1295	22.5 571	27.5 699	31.5 800	7 178	7.5 191	42 1067	5 125	2 50	34 864
Steel Receiver															
1,000 to 15,000	21	18 457	24 610	26.4 671	16.1 409	39 991	12.75 324	28.75 730	21 533	7 178	7.5 191	28.4 721	2-1/2 63	1-1/4 32	-
20,000 to 30,000	45	24 610	24 610	26.4 671	22.1 561	45 1143	18.5 470	28.75 730	28 711	7 178	7.5 191	28.4 721	3 75	1-1/2 38	28 711
40,000 to 50,000	65	24 610	24 610	26.4 671	22.1 561	45 1143	24.5 662	28.75 730	33 838	7 178	7.5 191	28.4 721	3 75	2 50	28 711
65,000 to 100,000	110	30 762	42.5 1080	45 1143	25 635	51 1295	20 508	27.5 699	30 762	7 178	11 279	47 1208	4 100	2 50	41 1041

VC, VJ and VE Pumps with Cylindrical Steel Receivers



*Note: Add 13" to dimension B for Simplex
Add 15-1/2" to dimension B for Duplex

Dimensions (nominal) in inches & millimeters

Capacity sq. ft. E,D,R.	Receiver Capacity gal.	A	B	C	D	E	F	G	H	J	K	L	M
25,000	49	22 559	30 762	10.5 267	21 533	7.5 191	15 381	17 432	2-1/2 63	1-1/4 32	23.5 597	58.5 1486	61 1569
40,000	71	24 610	36 914	13.5 343	27 686	8 203	16 406	18 457	3 75	1-1/2 38	25.5 648	64.5 1638	67 1702
65,000	117	24 610	60 1524	15 381	30 762	8 203	16 406	18 457	4 100	2 50	25.5 648	88.5 2248	91 2311
165,000	209	32 813	60 1524	24 610	48 1219	14 356	28 711	30 762	5 125	2 50	33.5 851	88.5 1638	91 1702
165,000	260	36 914	60 1524	24 610	48 1219	14 356	28 711	30 762	5 125	2 50	37.5 953	88.5 2248	91 2311
295,000	370	36 914	84 2134	28 711	56 1422	14 356	28 711	30 762	5 125	2 50	37.5 953	112.5 2858	115 2921
400,000	500	42 1067	84 2134	28 711	56 1422	14 356	28 711	30 762	5 125	2 50	43.5 1105	112.5 2858	115 2921
600,000	750	48 1219	96 2438	28 711	56 1422	19 483	38 965	40 1016	5 125	2 50	49.5 1237	124.5 3162	127 3226
800,000	1000	48 1219	132 3353	33 838	66 1676	19 483	38 965	40 1016	5 125	2 50	49.5 1237	160.5 4077	163 4140

TI-5-305-US 04.04