



Horizontal BT6 Hygienic Sanitary Balanced Pressure Steam Trap

Description

The Spirax Sarco Horizontal BT6 thermostatic balanced pressure steam trap is designed to remove condensate from hygienic and sanitary steam systems with minimal backing up. Applications include sterile steam barriers, block and bleed systems, drainage of steam distribution lines, process vessels and CIP/SIP systems. Manufactured in 316L stainless steel with a crevice free body, it is self-draining and operates close to steam temperature. Traps are individually packaged with protective end caps and sealed in a polythene bag.

Surface finish

All internal wetted surfaces have a finish of 32 μ in Ra (0.8 μ m). Surface finish of 16 μ in Ra (0.4 μ m) can be supplied on request by electro-polishing.

Options

Electro-polishing of internal surfaces to 16 μ in Ra (0.4 μ m). Fixed bleed to ensure fail open operation. Special connections to suit most piping systems.

Standards

The Horizontal BT6 fully complies with the ASME BPE, where applicable. It also complies with the requirements of the European Pressure Equipment Directive 97/23/EC. The seal complies with FDA CFR title 21, paragraph 177, section 1550. All wetted parts of this trap are constructed from FDA/3-A approved materials.

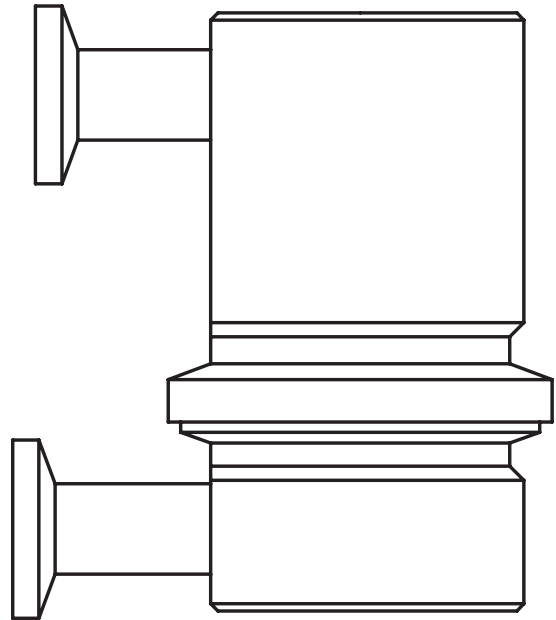
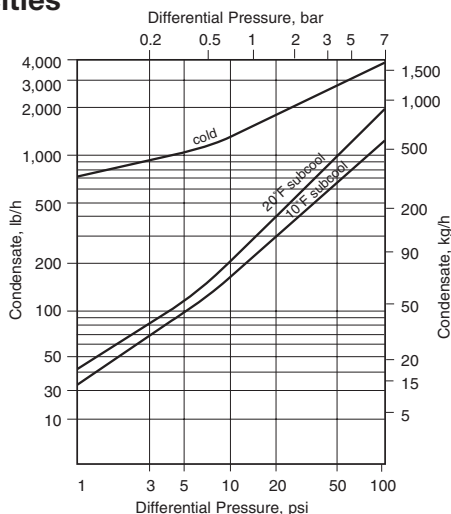
Certification

This product is available with certification to EN 10204 3.1.B. Note: All certification/inspection requirements must be stated at the time of order placement.

Sizes and pipe connections

1/2" sanitary clamp compatible connections. Additional connections are available on request. Please contact Spirax Sarco.

Capacities



Body design conditions	PN10
PMA Maximum allowable pressure	338°F@145psig (140°C@10 bar g)
TMA Maximum allowable temperature	350°F@132psig (177°C@9.2 barg)
Minimum allowable temperature	-425°F (-254°C)
PMO Maximum operating pressure	87 psig (6 bar g)
for saturated steam service	
TMO Maximum operating temperature	329°F@87psig (165°C@6 bar g)
Minimum operating temperature	32°F (0°C)
Designed for a maximum cold hydraulic test pressure of	217 psig (15 bar g)

Construction Materials

No.	Part	Material	
1	Body (Inlet Side)	Stainless Steel	ASTM A276-87 Gr. 316L
2	Body (Outlet Side)	Stainless Steel	ASTM A276-87 Gr. 316L
3	Element	Stainless Steel	AISI 316L
4	Body Clamp	Stainless Steel	AISI 304L
5	Gasket	PTFE Jacketed Viton	

Note: PTFE complies with FDA, CFR title 21, paragraph 177, section 1550. All wetted parts of this trap are constructed from FDA approved materials.

Material Certification

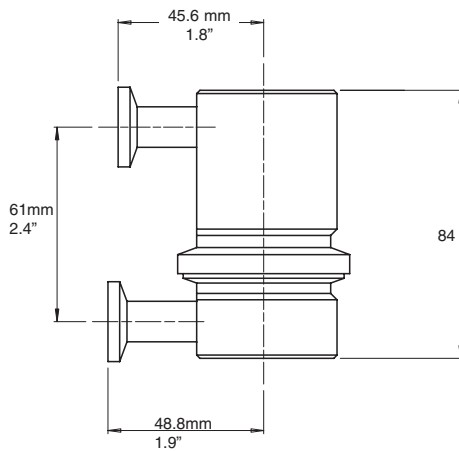
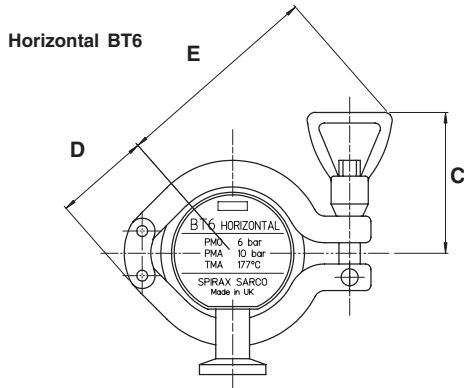
Actual mill test reports covering the Horizontal BT6 body material are available if specified at the time of ordering.

Local regulation may restrict the use of this product below the conditions quoted. Limiting conditions refer to standard connections only. In the interests of development and improvement of the product, we reserve the right to change the specification.

Horizontal BT6 Hygienic Sanitary Balanced Pressure Steam Trap

Dimensions/weights (approximate) in inches and lb

Size	A	B	C	D	E	Weight
1/2"	2.6"	2.1"	2.1"	1.4"	3.3"	1.9 lb



Spare parts

The spare parts are shown in heavy outline. Parts drawn in broken line are not supplied as spares.

Available spares

Element assembly

Seal Gasket Kit (set of 3)

Seat end connection

How to order spares

Always order spares by using the description given in the column headed 'Available spares' and state the size and type of trap.

Example: 1 - Element assembly for a Spirax Sarco 1/2" Horizontal BT6 hygienic sanitary balanced pressure steam trap.

Installation

The trap is designed to be fitted in horizontal lines with the flow downwards so that it can be completely self-draining. Check flow arrow for correct orientation. Fittings, clamps and gaskets for pipe end connections are not supplied. Do not over expose the element to superheat conditions since over expansion may result.

Note: The body and element must be handled carefully to ensure that the machined surfaces are not damaged.

Sample Specification

Steam trap shall be self-adjusting balanced pressure type capable of operating close to saturated steam temperature. All wetted parts shall be manufactured from 316L grade stainless steel with body parts finished internally and externally to 32 μ in Ra. Trap shall have body clamp to allow maintenance of internals, and shall be completely self-draining when installed in vertical pipeline.

Maintenance

Before undertaking any maintenance on the trap, it must be isolated from the supply line and return line and any pressure allowed to normalize to atmosphere. The trap assembly should then be allowed to cool.