

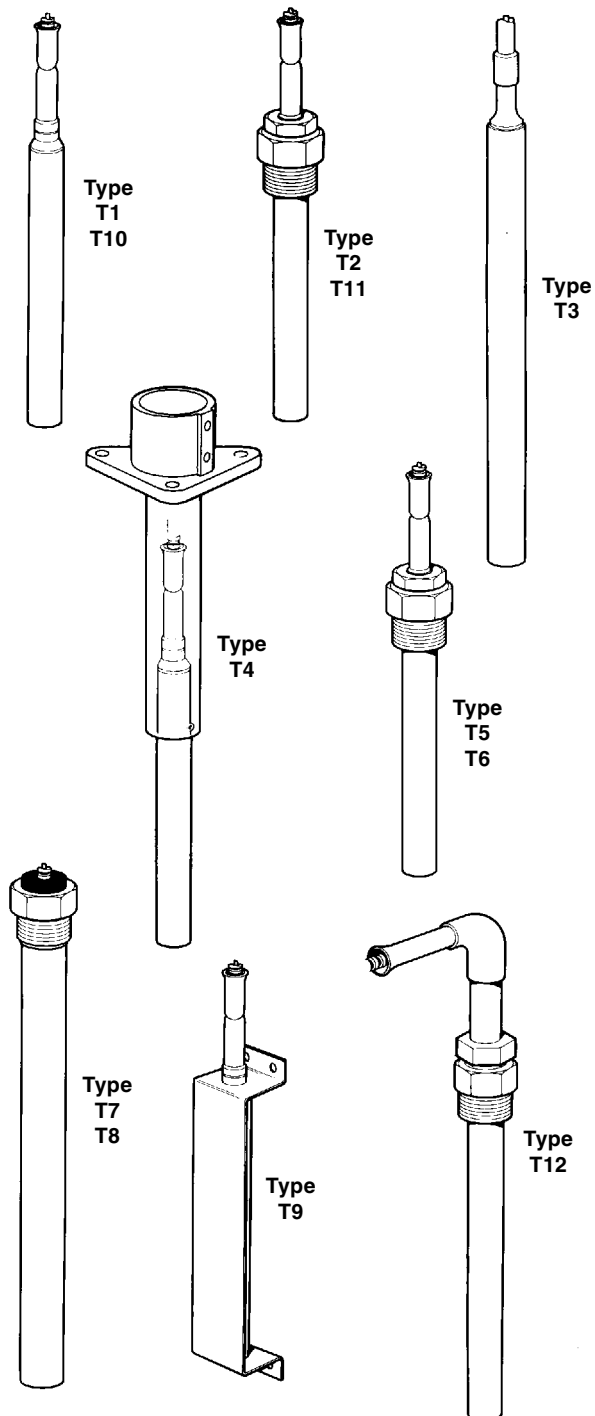
spirax sarco®

Pilot Operated Temperature Regulators 25 Series Thermostat Bulb Types

The Thermostat Bulb styles are for temperature pilots used on the following:
25T & 25TE Temperature Controls
25PT & 25 PTE Pressure Temperature Controls.

Thermostat Bulb Types

- T1 Bulb in plain copper with 8-ft brass capillary tubing.
- T2 Bulb in copper with union connection 3/4" NPT, 8-ft brass capillary tubing.
- T3 Bulb teflon-covered with 8-ft teflon-covered tubing.
- T4 T1 thermostat bulb with flanged connection.
- T5 T2 thermostat bulb with brass well.
- T6 T2 thermostat bulb with stainless steel well.
- T7 T1 thermostat bulb with Brass, 18" extension well.
- T8 T1 thermostat bulb with stainless steel, 18" extension well.
- T9 T1 thermostat bulb with wall mounting bracket.
- T10 Bulb in stainless steel, with 8-ft stainless steel capillary tubing.
- T11 Bulb in stainless steel with union connection 3/4" NPT, 8-foot stainless steel capillary tubing.
- T12 Bulb in plain copper with union connection at 90° offset. 8-ft brass capillary tubing.



Limiting Operating Conditions

Up to 200°F / 93°C above the control set point provided temperatures at the bulb do not exceed 350°F / 176°C.

Capillary Tube Length

Standard 8 ft. and 15 ft. available. Intervals of 5 ft. up to a maximum of 50 ft.

Pilot Operated Temperature Regulators

25 Series Thermostat Bulb Types

Dimensions (nominal) in inches & millimeters

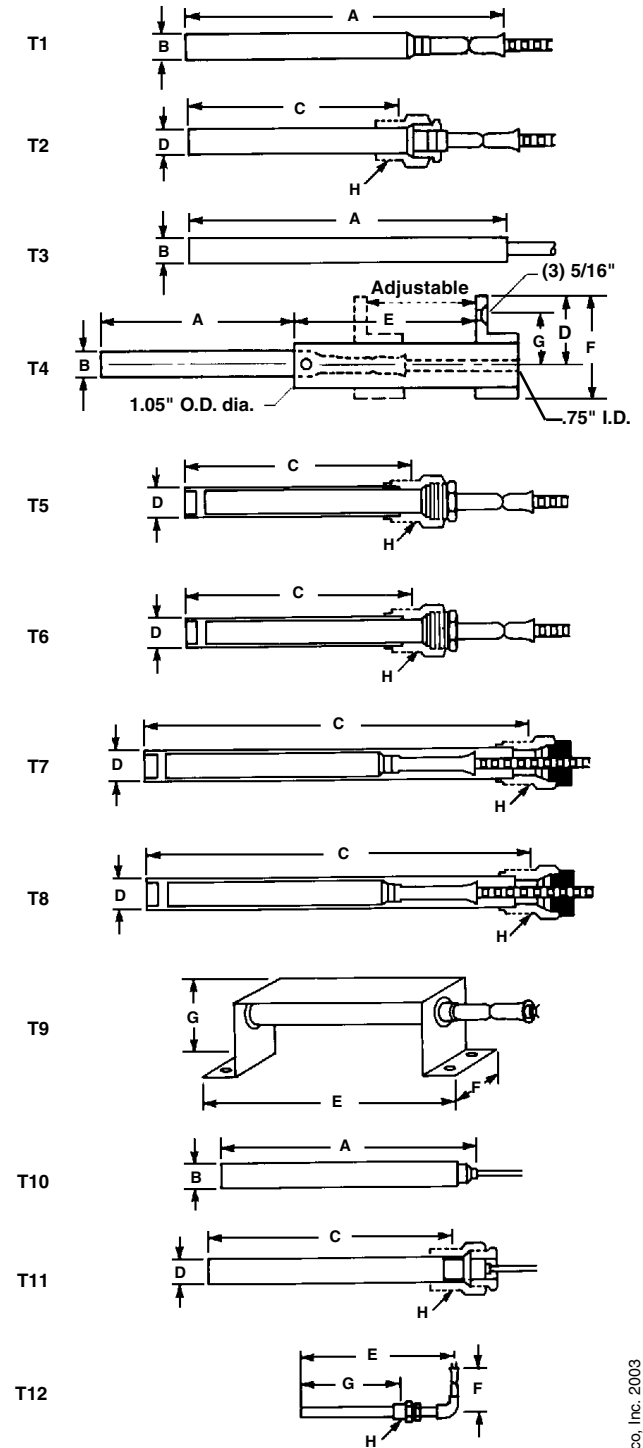
Style	A	B	C	D	E	F	G	NPT	
								H	J
T1	8 203	0.62 15.7	-	-	-	-	-	-	-
T2	-	-	5.21 132	0.62 15.7	-	-	-	3/4"	-
T3	9 229	0.7 17.7	-	-	-	-	-	-	-
T4	5 127	0.62 15.7	-	1.4 36	7.0 178	2.25 57.2	1.0 25.5	-	5/16"
T5	-	-	5.75 146	0.75 19	-	-	-	3/4"	-
T6	-	-	5.75 146	0.75 19	-	-	-	3/4"	-
T7	-	-	18 457	0.75 19	-	-	-	3/4"	-
T8	-	-	18 457	0.75 19	-	-	-	3/4"	-
T9	-	-	-	-	6.7 170	1.5 38	2.1 53	-	-
T10	6.4 162	0.62 15.7	-	-	-	-	-	-	-
T11	-	-	6.12 155	0.62 15.7	-	-	-	3/4"	-
T12	-	-	-	-	9.6 244	2.75 70	7.1 180	3/4"	-

Installation

The thermostatic bulb should be carefully located in the medium being heated. Make sure that the entire length of the thermostatic bulb is immersed in the heated medium with a good circulation left over it. Locate the thermometer being used to monitor temperature close to the thermostatic bulb. When the bulb is contained in a well, use a heat conducting compound to improve response time.

How to Specify

1 - 1/2" Spirax Sarco 25T Temperature Control with Thermostat Bulb Style T2.



© Spirax Sarco, Inc. 2003