

spirax sarco®

Spare Parts Guide 1/2" to 2" 25T, 25TE, 25E Main Valve

Spare Parts – Main Valve

Cap Assembly w/ Cap Screws & Gasket	A,B,C
Diaphragm Case Bolts & Nuts	G,H
Screen, Spring Support Disc	M,N,O,C
Valve Spring and Cap Gasket	
Cap Gasket, Valve Head, Seat & Seat Gasket (specify regular or reduced port "S" valve)	C,P,Q,R
Valve Stem Guide & Gasket	J,S,T
Diaphragm (2 per set)	L
Transmission Tubing w/ Fittings	U,V
Gasket Kit	C,R,S,W
Diaphragm Plate	K
Rebuild Kit	BCLMOPQRUVW

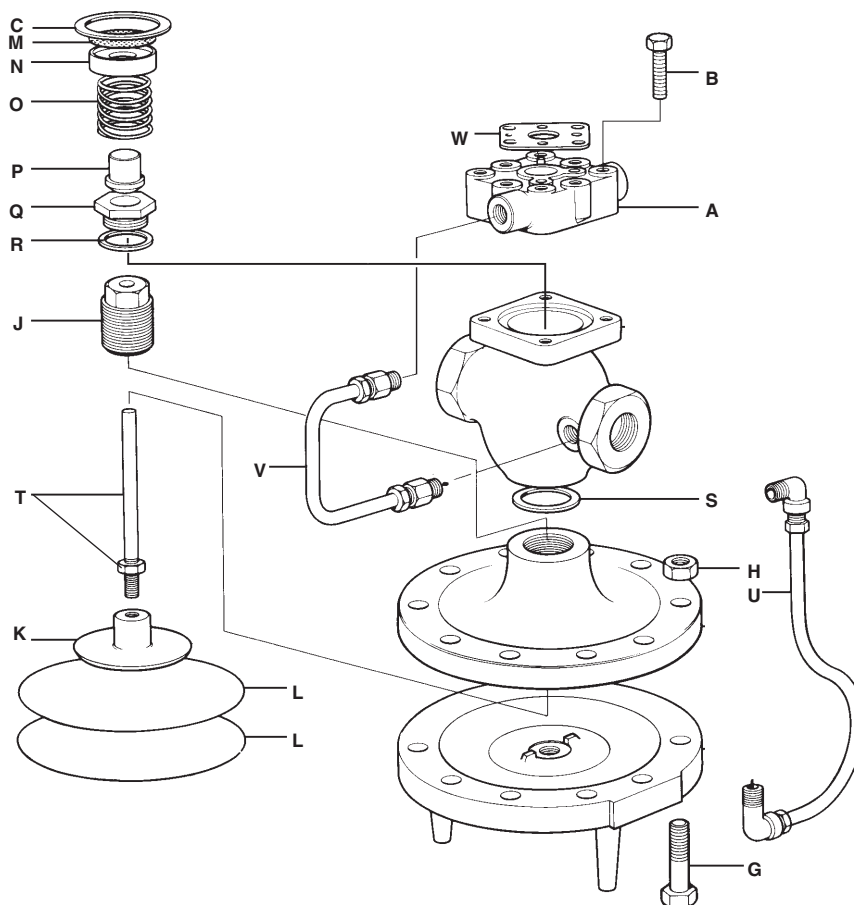
How to Order

Always order spares by using the description given in the column headed Spare Parts, stating the valve size and material.

Example 1 – Cap Assembly for 1/2" Spirax Sarco 25T Cast Iron Temperature Regulator.

Maintenance

For complete installation & maintenance instructions, see the IMI sheet, which accompanies the product.



Local regulation may restrict the use of this product below the conditions quoted. Limiting conditions refer to standard connections only.
In the interests of development and improvement of the product, we reserve the right to change the specification.

TI-1-1120-US 05.10

Spare Parts Guide

2-1/2" to 4" 25T, 25TE, 25E, Main Valve

Spare Parts – Main Valve

Cap Assembly w/ Cap Screws & Gasket	A,B,C
Diaphragm Case Bolts & Nuts	G,H
Screen, Retaining Ring	M,N,O,C
Main Valve Spring & Cap Gasket	
Cap Gasket, Valve Head & Seat	C,P,Q,X
(specify regular or reduced port "S" valve)	
Lower Stem & Guide	J,S,T
Diaphragms (2 per set)	L
Transmission Tubing w/ Assembly	U
Gasket Kit	C,S,W
Damping Assembly	A1,B1,C1
Diaphragm Plate	K
Rebuild Kit	BCLMNOPQUW
Relief Tube	D1

How to Order

Always order spares by using the description given in the first column under Spare Parts, stating the valve size and material.

Example: 1 – Cap Assembly for 2-1/2" Spirax Sarco 25T Cast Iron Temperature Regulator

Maintenance

See installation and maintenance instructions supplied with each valve, copies are available on request.

