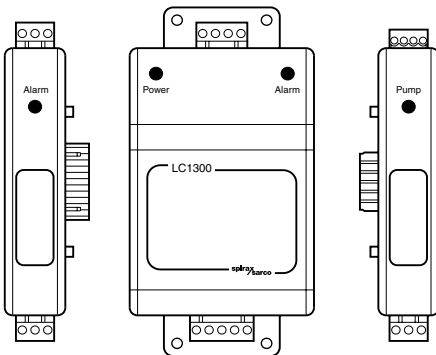


LC1300**Level controller****Installation and Maintenance Instructions**

- 1. General safety information*
- 2. Application*
- 3. Installation*
- 4. Setting up the controller*
- 5. Wiring diagrams*
- 6. Commissioning*
- 7. Maintenance*
- 8. Fault finding*



1. General safety information

Your attention is drawn to Safety Information Sheet IM-GCM-10 as well as to any National or local regulations.

Safe operation of the product depends on it being properly installed, commissioned and maintained by a qualified person in compliance with the operating instructions. It is essential to comply with general installation and safety instructions for pipeline and plant construction, as well as to make proper use of tools and safety equipment. The product is designed and constructed to withstand the forces encountered during normal use. Use of the product for any other purpose, or failure to install the product in accordance with these Installation and Maintenance Instructions, could cause damage to the product, will invalidate the CE marking, and may cause injury or fatality to personnel.

Additional Safety Notes:

Level control and level limiting/alarm products in steam boilers

Products/systems must be selected, installed, operated, and tested in accordance with:

- Local or National standards and regulations.
- Guidance Notes, (Health and Safety Executive PM5 in the UK).
- The requirements of Approvals Authorities.
- Boiler inspection bodies.
- Boiler manufacturer's specifications.

Two independent low water limiting/alarm systems must be installed on steam boilers. Level probes must be installed in separate protection tubes/chambers, with sufficient clearance between the tips, and earth.

Each probe must be connected to an independent controller. The alarm relays must isolate the boiler heat supply at low alarm status.

A high water alarm may be part of the water level control, or a separate system. An independent high water alarm system must be fitted if it is considered a safety requirement. In this case, the relays must simultaneously isolate the feedwater supply and the boiler heat supply at high alarm status. All boiler water limiters/alarms require regular functional testing.

A suitable water treatment regime must be used to ensure continuous safe and correct operation of the control and limiter/alarm systems. Consult the above authorities and a competent water treatment company.

Warning

Isolate the mains supply before unplugging the controller since hazardous voltages will be exposed on the controller base. This product complies with the requirements of Electromagnetic Compatibility Directive 89/336/EEC by meeting the standards of:

- BS EN 50081-1 (Emissions) and
- BS EN 61000-6-2 (Immunity).

The following conditions should be avoided as they may create interference above the limits specified in BS EN 61000-6-2 if:

- The product or its wiring is located near a radio transmitter.
- Excessive electrical noise occurs on the mains supply. Power line protectors (ac) should be installed if mains supply noise is likely. Protectors can combine filtering, suppression, surge and spike arrestors.
- Cellular telephones and mobile radios may cause interference if used within approximately 1 metre (39") of the product or its wiring. The actual separation distance necessary will vary according to the surroundings of the installation and the power of the transmitter.

If this product is not used in the manner specified by this IMI, then the protection provided may be impaired.

2. Application

The LC1300 is a modular level controller for use with conductivity level probes in conductive liquids. The controller is suitable for use with virtually all qualities of industrial waters from condensate or boiler water to salt solutions. It can be used in water with an electrical conductivity as low as 1 $\mu\text{S}/\text{cm}$ at 25°C.

The LC1300 is of modular design and in its most basic form comprises a power/alarm module with a single alarm function. Smaller modular units are then added to the power/alarm module depending on the functions required. Modular units include pump on/off control or an additional alarm. Up to a maximum of one pump module and one additional alarm may be added to the power/alarm module.

The LC1300 has an automatic sensitivity level and filter function which allow it to give a precise response under the very different conductivity and turbulence conditions found in tanks and high output boilers.

Probe tips are energised with a maximum voltage of 3 Vac.

3. Installation

WARNING

Isolate the mains supply before touching any of the controller terminal blocks as these may be wired to mains voltage.

To unplug the terminal blocks from their modules, pull the block vertically upwards or downwards. Side modular units are simply removed by pulling the module sideways away from the power/alarm module. The controller must be installed in an enclosure or control panel to provide environmental (Pollution Degree 2) and electrical safety protection. Spirax Sarco can provide suitable metal or plastic enclosures for the standard controller. The controller may be mounted on a 'top hat' DIN rail using the clip provided or the controller base screwed directly to a chassis plate (use No.8 roundhead or 4 mm roundhead screws)

Caution: Allow 15 mm minimum clearance all round the unit for air circulation.

The controller is for installation category II (Overvoltage category) and must be installed in accordance with IEC 60364 or equivalent. For the US and Canadian markets, the controller must be wired in accordance with the National and Local Electrical Code (NEC) or Canadian Electrical Code (CEC). The controller and all connected mains circuits must be supplied by the same phase and have a common isolation system which meets the relevant requirements of IEC 60947-1 and IEC 60947-3 or equivalent. This must be positioned close to the controller and clearly identified as the disconnect device.

A quick blow 3 amp external fuse must be fitted in all phases of the controller and relay supply. The relays are rated at 250 Vac maximum, to the following ratings:-

Relay rating table:

| Version | Relay load type | Rating |
|-----------|-------------------------------------|-------------------------|
| Standard | Resistive at 250 Vac | 3 A |
| | Inductive at 250 Vac | 1 A |
| | Lamp or resistive at 240 Vac | 3 A |
| | Tungsten filament at 240 Vac | 1 A |
| UL Listed | AC motor at 240 Vac | ¼ HP (2.9 A) |
| | AC motor at 120 Vac | ¼ ₀ HP (3 A) |
| | Pilot duty (control circuits/coils) | C300 (2.5 A) |

Note:- the wiring diagrams (Section 5) show all relays in the power off position.

Screened cable is required for the probe. To comply with European EMC requirements use Pirelli FP200 or Delta Crompton OHLS, 1 mm². The same type of cable may be used for the mains wiring. Use NEC Class 1 wiring for the UL version. Connect the screens as shown in the wiring diagrams (Section 5). Cabling should be installed in accordance with BS 6739 - Instrumentation in Process Control Systems: Installation design and practice or local equivalent.

Screen connection

An earth current loop is created if a wire or screen is connected between two earth points, which are at different potential (voltage). If the instructions are followed correctly, then the probe and controller screen will only be connected to earth at one end. **Note: The earth terminal is a functional earth rather than a protective earth.** A protective earth provides protection from electric shock under a single fault condition. This product has double insulation and therefore does not require a protective earth. A functional earth is used in order for the product to operate. In this application, the earth (tank/boiler shell) is used as the common of the probe. It also provides a sink/drain for any electrical interference. Ensure that the screen is connected to the earth terminal of the probe and to the common terminal of the controller. The common terminal of the controller must only be earthed via the probe. **CAUTION: Do not connect the common terminal to an earth local to the controller. To do so may induce an earth current loop, which may reduce the performance or damage the product.**

The pump input terminal has a maximum torque of 0.45 N m (4 lbf inch). The maximum torque to be applied to the other terminal screws is 0.8 N m (7 lbf inch).

If this product is not used in the manner specified in this IMI, then the protection provided and compliance with EC directives may be impaired.

| | | |
|--|--|------------|
| Maximum ambient temperature - controller | 55°C | (131°F) |
| Minimum ambient temperature - controller | 0°C | (32°F) |
| Indoor use only | | |
| Altitude up to | 2 000 m | (6 561 ft) |
| Humidity | Maximum relative humidity 80% for temperatures up to 31°C (87.8°F) decreasing linearly to 50% relative humidity at 40°C (104°F) | |
| Mains supply voltage | 99 V - 264 V | |
| Frequency | 50 - 60 Hz | |
| Maximum power consumption | 6 VA | |
| Maximum cable length - controller to probe | 100 m | (330 ft) |
| Minimum conductivity @ 25°C (77°F) when used with a Spirax Sarco LP10-4 probe | 1 µS/cm | (1 ppm) |

4. Setting up the controller

4.1 To change the control and alarm functions

The power/alarm module can be configured for high or low alarm operation by connecting the link between terminals 1 and 2 (see Section 5, Wiring diagram). The additional alarm module, if fitted, may also be configured for high or low alarm operation by connecting the link as shown between terminals 10 and 11 on the alarm module. Pumping in or pumping out control is selected by the link between terminals 16 and 17 on the pump module.

| Module | Action | Terminals | Link or no link |
|--------------------|-------------|-----------|-----------------|
| Power/alarm module | High alarm | 1 and 2 | Link |
| | Low alarm | 1 and 2 | No link |
| Pump module | Pumping in | 16 and 17 | No link |
| | Pumping out | 16 and 17 | Link |
| Alarm module | High alarm | 10 and 11 | Link |
| | Low alarm | 10 and 11 | No link |

4.2 Probe sensitivity

The controller will operate correctly with a minimum water conductivity of 1 $\mu\text{S}/\text{cm}$ at 25°C.

4.3 Filter

The LC1300 has an automatic delay function to avoid spurious alarms or over frequent operation of the pump or solenoid valve. This delay is approximately 5 seconds.

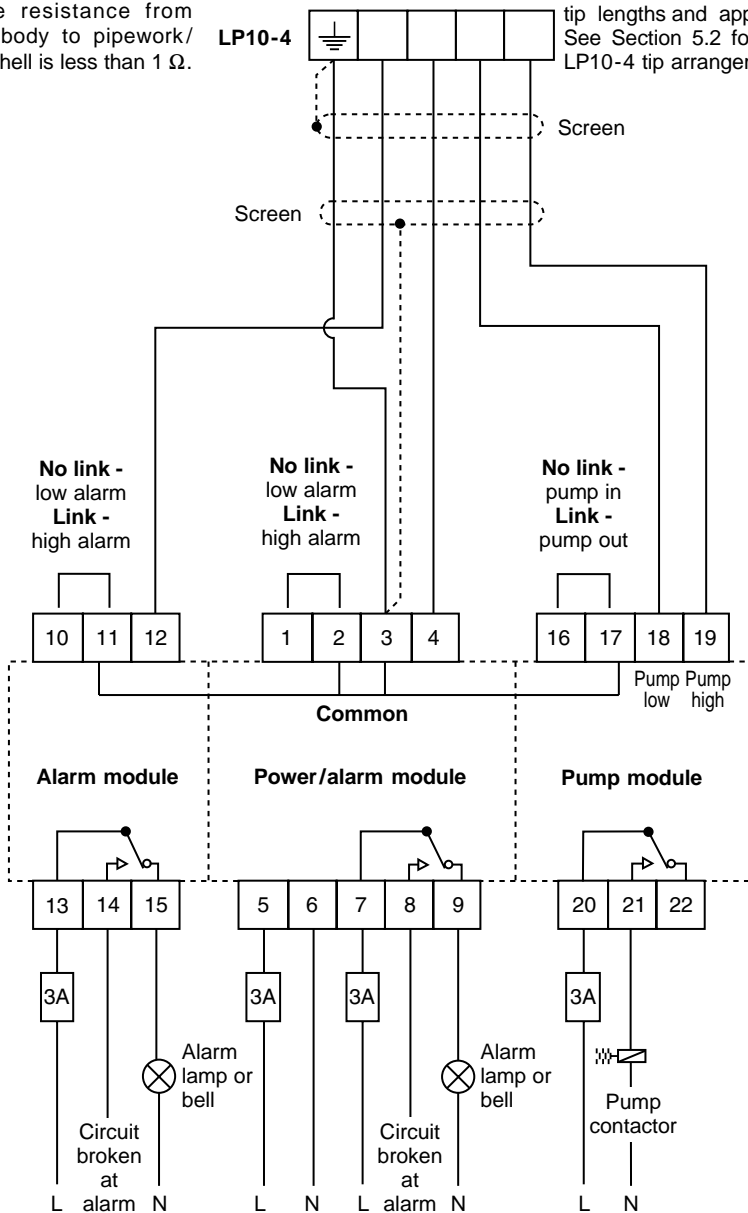
5. Wiring diagrams

5.1 General wiring diagram - LP10-4

(For the LP31 wiring diagram see Section 5.3)

Ensure resistance from probe body to pipework/boiler shell is less than 1 Ω.

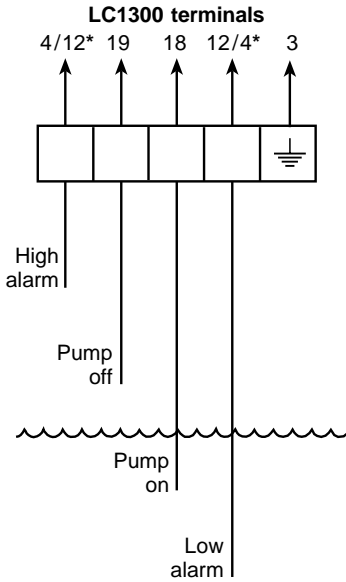
Terminal numbers depend on tip lengths and application. See Section 5.2 for typical LP10-4 tip arrangements.



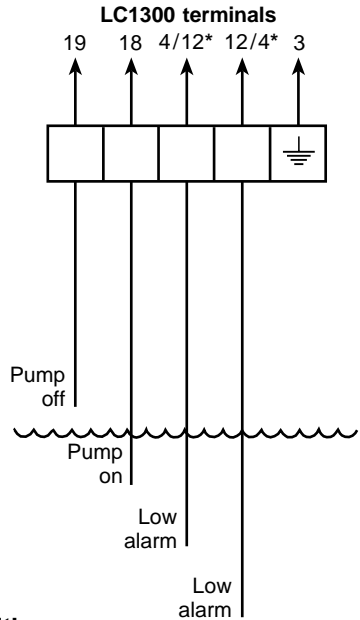
The wiring diagram shows water level control using a pump. Alternatively, a normally-closed solenoid valve could be used. Relays shown in de-energised state.

5.2 Typical LP10-4 tip arrangements

Pumping in with high and low alarms



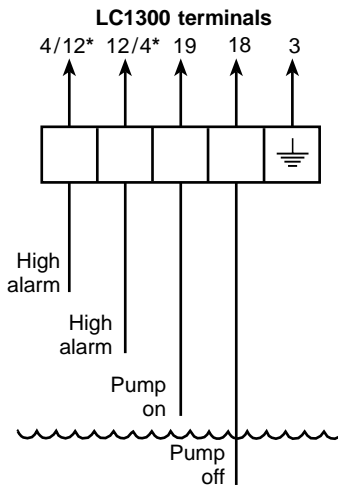
Pumping in with two low alarms



Warning

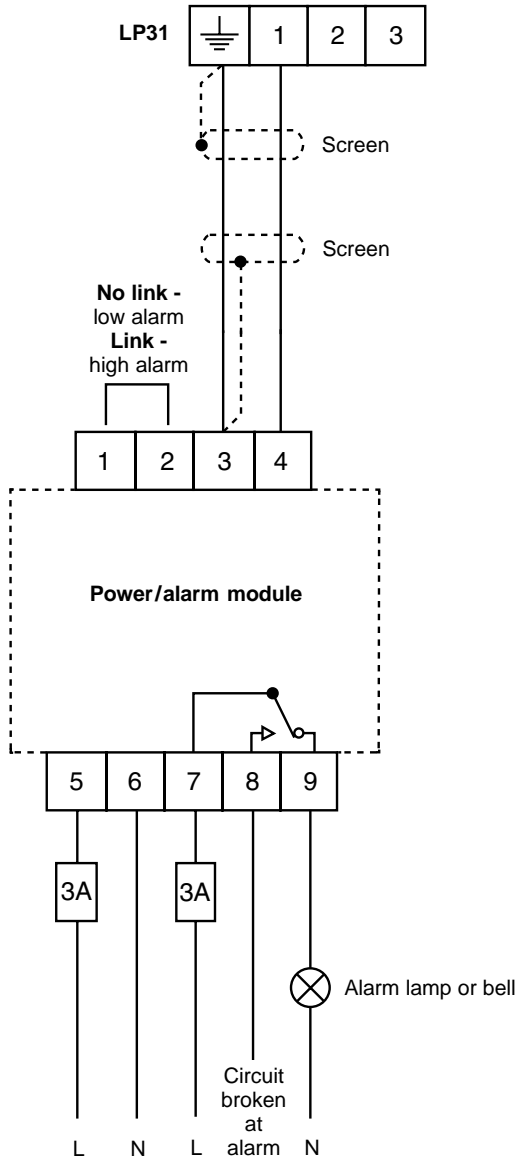
The earth lead is internally connected to the probe body and therefore earthed via the NPT or BSP thread. Do not connect this earth pin to other earths.

Pumping out with two high alarms



* Terminal numbers for the alarms in the LC1300 depend on which modules are configured for high or low alarms.

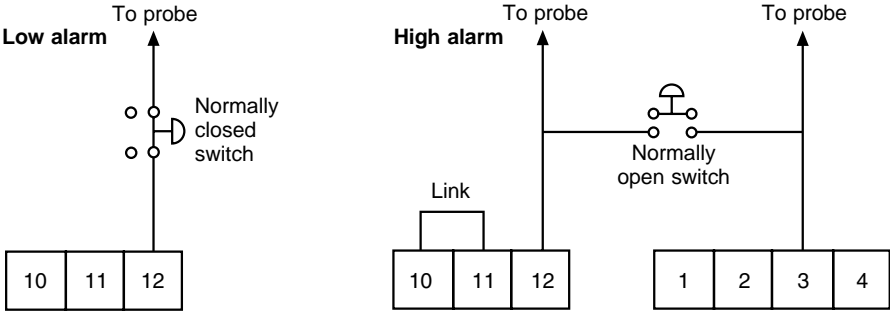
5.3 General wiring diagram - LP31



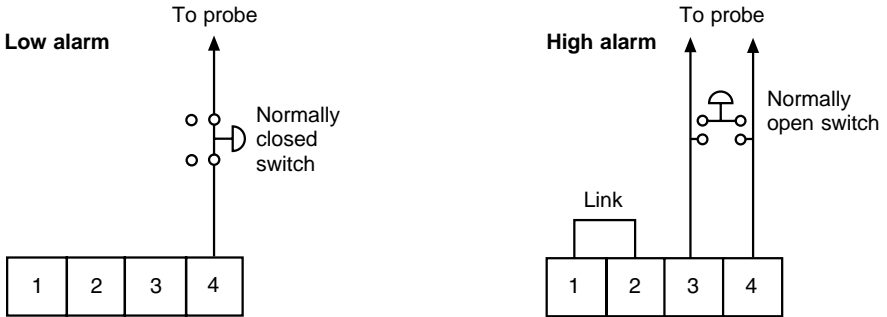
5.4 Optional external test switch diagrams

If an external test switch is required, it is possible to wire in a panel mounted switch as shown below. Depending on the function of the module, a Normally Open (**NO**) or a Normally Closed (**NC**) switch should be used. In order to prevent continuous alarms a spring loaded switch is recommended or a key operated switch.

Alarm module



Power alarm module



6. Commissioning

Control and alarm levels are set by cutting the probe tips to length. For details see the probe instructions.

To commission the controller proceed as follows:-

1. Ensure the controller is set up for the correct functions.
2. Alter the water level in the tank or boiler so that it is at a normal level.
No alarms should be indicated.
3. Alter the water level to the high and/or low level condition(s).
Check that the associated alarm circuit operates.
4. Alter the water level to the pump-on level.
Check that the pump starts and continues to run until the pump-off level is reached.

7. Maintenance

No special servicing or maintenance of the controller is necessary. Boiler water level controls and level alarms, however, do require testing and inspection. General guidance is given in Health and Safety Executive Guidance Note PM5. For specific instructions for the Spirax Sarco system please see separate literature.

8. Fault finding

Most faults that occur on commissioning are due to incorrect wiring or setting up. In the case of problems the following checklist may be helpful:

| Symptom | Solution |
|---|--|
| No LEDs lit | Check mains power supply |
| High water alarm lit when water is at normal working level | Check links fitted. |
| Low water alarm lit, pump continues to run after pump off position | Check probe screwed connection is correctly earthed. |
| Pump not operational over normal working range | Check pump links correctly fitted. |

