

TVA Flowmeter for Saturated Steam Service Essential Installation Guide

This guide must be read in conjunction with the Installation and Maintenance Instructions (IM-P337-51) supplied with product.

This guide highlights the minimum installation requirements to ensure that the product performs to user expectations.

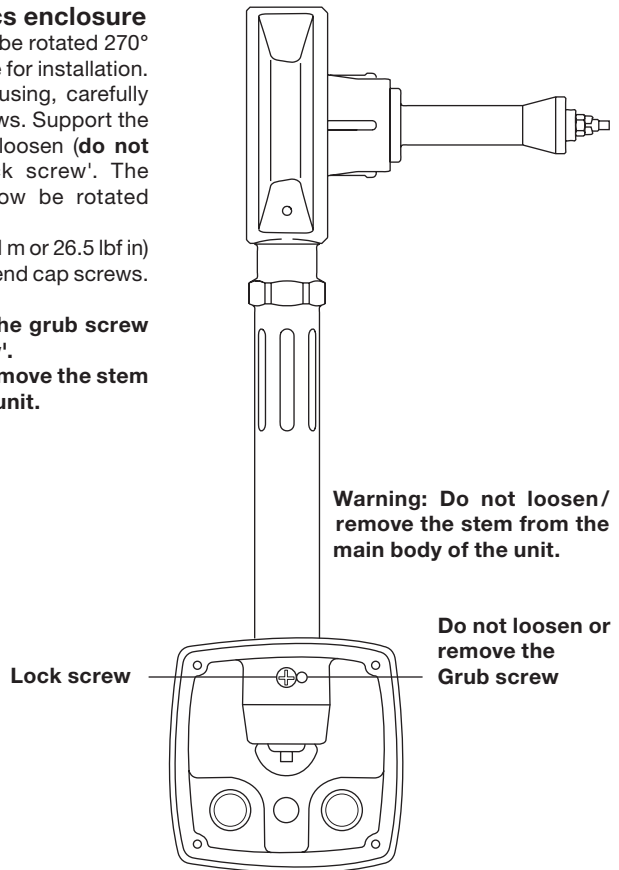
Rotating the electronics enclosure

The electronics housing can be rotated 270° to enable sufficient clearance for installation. To rotate the electronics housing, carefully remove the 4 x end cap screws. Support the weight of the end cap and loosen (**do not remove**) the end cap 'lock screw'. The electronics housing can now be rotated to the required position.

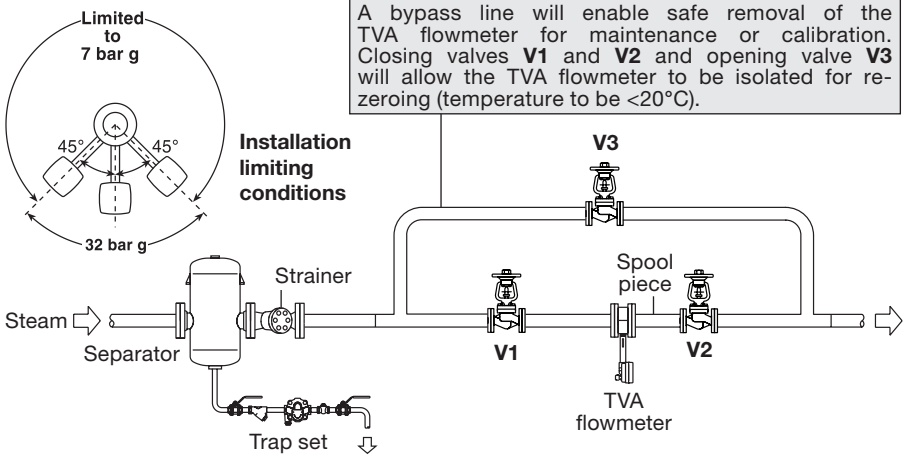
Retighten the 'lock screw' (3 N m or 26.5 lbf in) and replace end cap and 4 x end cap screws. See the adjacent diagram.

Do not loosen or remove the grub screw adjacent to the 'lock screw'.

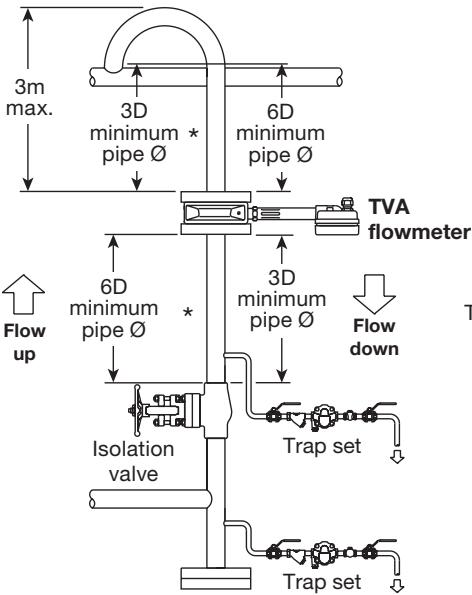
Warning: Do not loosen/remove the stem from the main body of the unit.



Horizontal installation



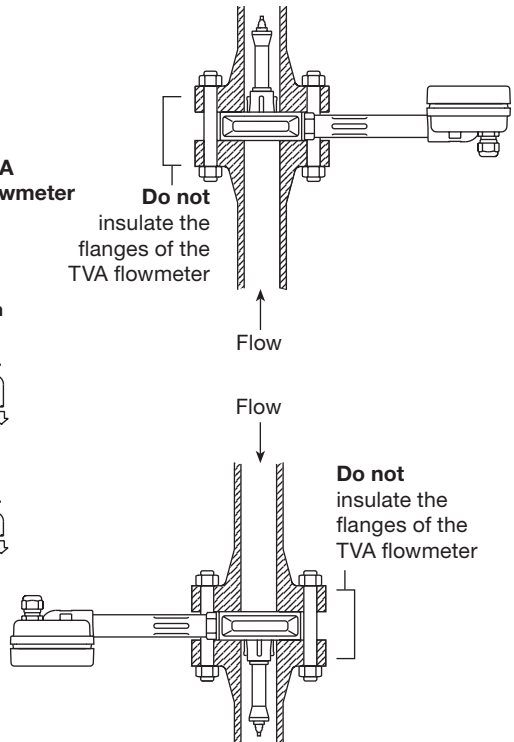
Vertical installation



* A spool piece may be fitted to the downstream side of the TVA flowmeter - see above.

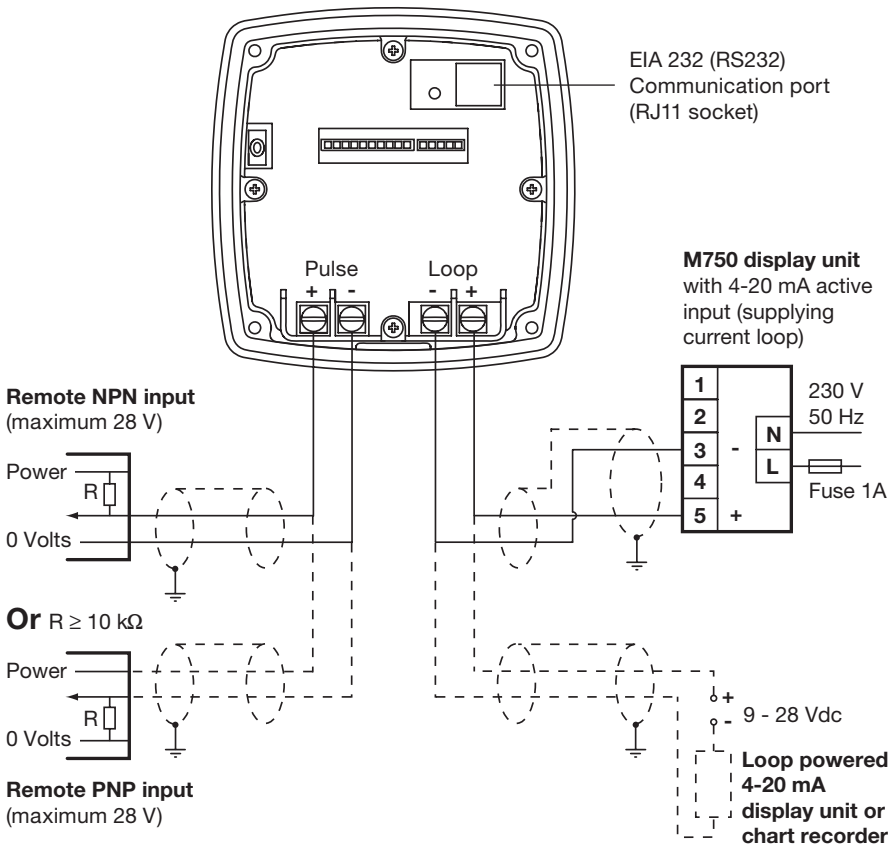
Vertical installation

Limited to 7 bar g



Electrical installation

See IM-P337-51, page 14 for further details



Cable size: 0.5 mm²
Maximum length: 300 m
Voltage: 9 - 28 Vdc

**Now proceed to
Programming, Section 4.2 on IM-P337-51**

