

INSTALLATION AND MAINTENANCE INSTRUCTIONS

IMI 7.435

August 2000

spirax
/sarco®
700 Series

Simplex Basket Strainers

Warning

Individuals performing removal and disassembly should be provided with suitable protection from possibly hazardous liquids.

Knob and clamp type quick opening covers should not be used for high temperature service. Consult factory for recommendations.

Before installing the simplex basket strainer, be sure its pressure rating is correct for the system. If the end connections are threaded, be sure the piping is straight and not at an angle or offset. If the strainer has flanged ends be sure the flanges of the connecting piping are square with pipe so that no undue stresses are put on the strainer or piping when tightening flange bolts. Tighten bolts in sequence crossing to opposites.

For maximum efficiency, a differential pressure gauge installed across the inlet and outlet will indicate pressure loss due to clogging and may be used as a guide to determine when cleaning is required. If the strainer is not set up for backwash cleaning, remove the cover for access to the basket. After cleaning, replace the basket in the same position as before and tighten cover. Replace the gasket or O-ring if necessary.

Keeping a spare, clean basket will minimize shut down time.

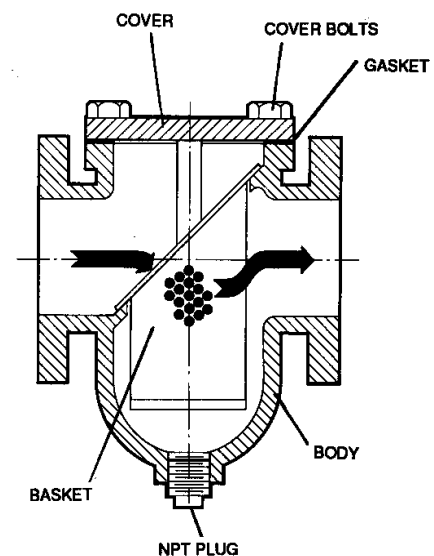
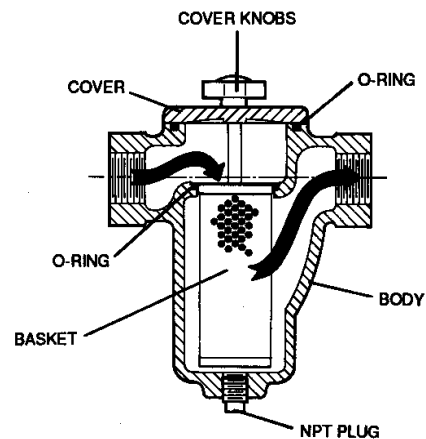
Spare Parts

To order replacement baskets or gaskets and O-rings, which are the only items normally required, specify the following.

A. Size and model number of the strainer or casting number as it appears on the body of the strainer.

B. Specify service. For example: water, steam, gas, air, oil. The working pressure and temperature of the system and particle size to be strained out should also be specified.

Simplex Basket Strainers should be installed in the position shown in the illustrations below.



Spirax Sarco Applications Engineering Department
Toll Free at: 1-800-833-3246

SPIRAX SARCO, INC. • 1150 NORTHPOINT BLVD. • BLYTHEWOOD, SC 29016
PHONE 803-714-2000 • FAX 803-714-2200