



INSTALLATION AND MAINTENANCE INSTRUCTIONS

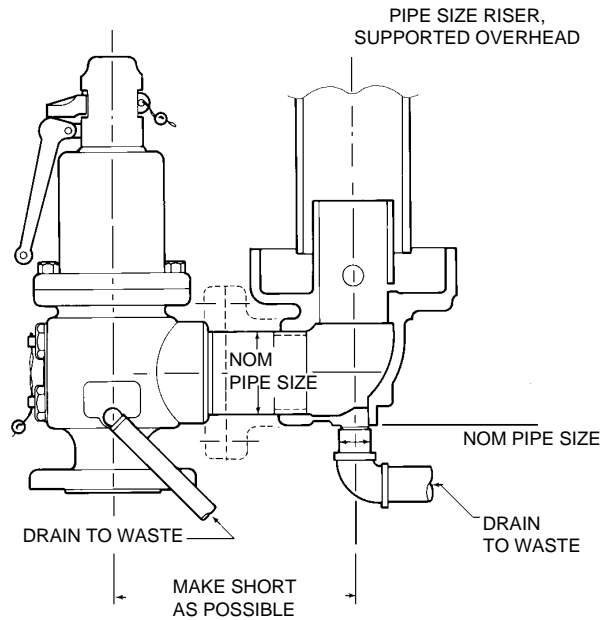
IMI 3.2141

March 1998

Drip Pan Elbow (DPE)

Installation

The Drip Pan Elbow is to be connected to the discharge connection of the Safety/Relief Valve by a short pipe nipple. Flanged valves 4" and smaller will require a companion flange and short nipple the same size as the valve outlet. The drain connection on the bottom of the elbow should be piped to waste.



For additional technical information, contact:
Spirax Sarco Applications Engineering Department
Toll Free 1-800-833-3246

