

# Type 25P & 25PA Pressure Reducing Valves

## Installing the Valve

### Unpack Carefully

Do not lift the regulator by the tubing. Grasp the body of the valve firmly when lifting.

### Piping

1. Typical hookup sketches as shown in Figs. 1 and 2 will aid in planning a correct installation.
2. Piping on the downstream side of the valve should be increased so as not to restrict flow.
3. Swage nipples are recommended for changes in pipe sizes.
4. Before installing the valve make sure the piping is free of foreign material, scale, etc.
5. Make certain the arrow cast on valve body is pointing in the direction of flow.
6. Valve should always be installed in a horizontal position. (See Figs. 1 and 2.)
7. Pressure Gauges must be installed on both sides of the reducing valve.

### Pilot Pressure Sensing Line

1. Copper tubing (1/4" OD) can be used for the sensing line with suitable compression fittings or as alternative 1/4" piping can be used.
2. Connect the sensing line to a straight portion of the piping 10 pipe diameters from nearest fitting downstream from the valve and approximately 1 foot from elbows, tees, valves and other restrictions. (See Figs. 1 and 2.)
3. When the reducing valve is serving a single piece of equipment, the sensing line can be connected to the steam space of the equipment.
4. Install a small gate valve in the sensing line so that this can be closed when servicing the regulator.
5. The sensing line must be pitched downward from the main valve to insure proper drainage.
6. To permit accurate setting of the pressure regulator, a pressure gauge should be installed as close as possible to the pilot sensing line connection.

### Bypass

1. A bypass connection, as shown in Figs. 1 and 2, is recommended so that the valve can be serviced without shutting down the equipment.
2. The bypass valve should be the same size as the pressure reducing valve.

### Steam Line Drain Trap

1. To insure proper operation of the valve and avoid premature wear, it is recommended that a 1/2" Spirax Sarco thermodynamic steam trap be installed on the steam supply line. (See Figs. 1 and 2.)
2. A steam trap should also be installed in the downstream piping at the heel of each rise, between all reducing valves installed in series, and ahead of any manual or automatic valve. This will prevent condensate accumulation that can result in waterhammer damage.

### Pipeline Strainers

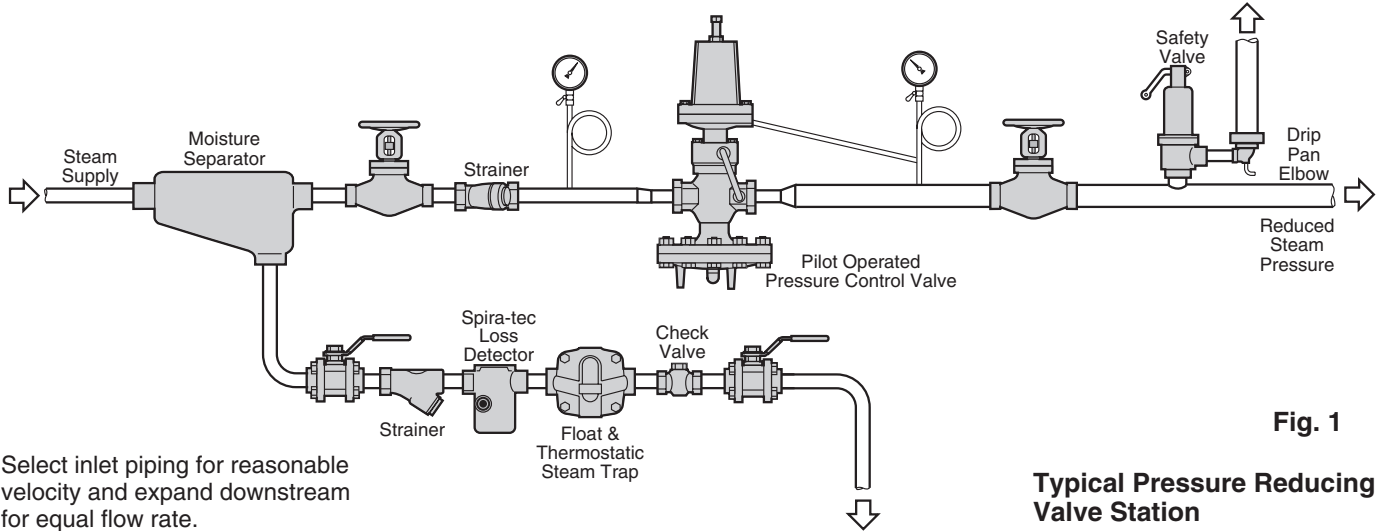
1. It is strongly recommended that strainers be installed before the reducing valve and steam traps.
2. Make certain adequate clearance is provided for screen removal and blowdown connection between strainer and valve body.

### Stop Valves

All stop valves on the supply side, as well as on the downstream side of the pressure reducing valve and sensing line, should be of the gate type so as to insure full rated capacity and good control.

### Separators

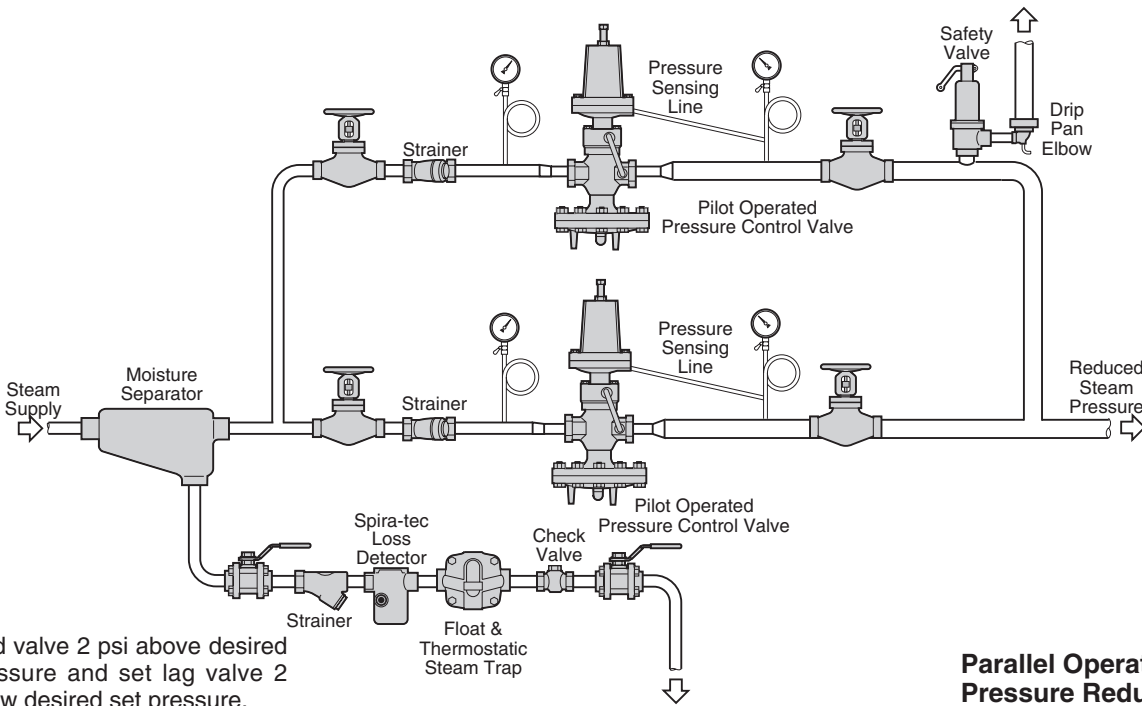
It is recommended that a line size separator is installed before all pressure reducing stations where the pipeline supply is longer than 50 ft from a trapping station or where exposure or piping configurations lead to the accumulation of significant amounts of condensate ahead of the PRV station.



**Fig. 1**

Select inlet piping for reasonable velocity and expand downstream for equal flow rate.

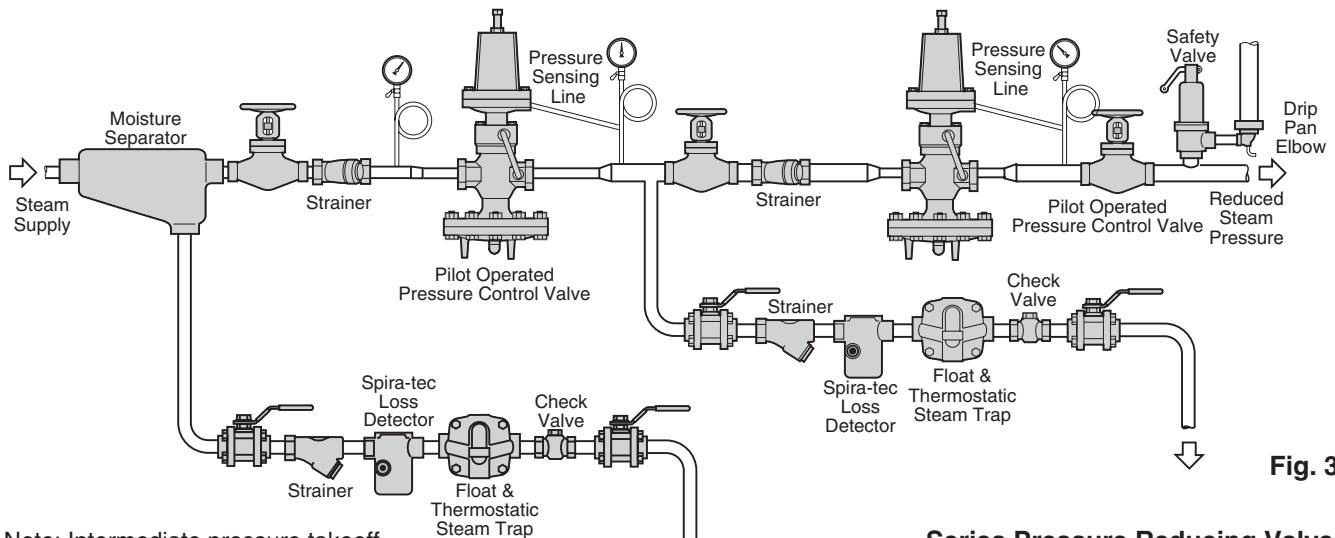
**Typical Pressure Reducing Valve Station**



**Fig. 2**

Set lead valve 2 psi above desired set pressure and set lag valve 2 psi below desired set pressure.

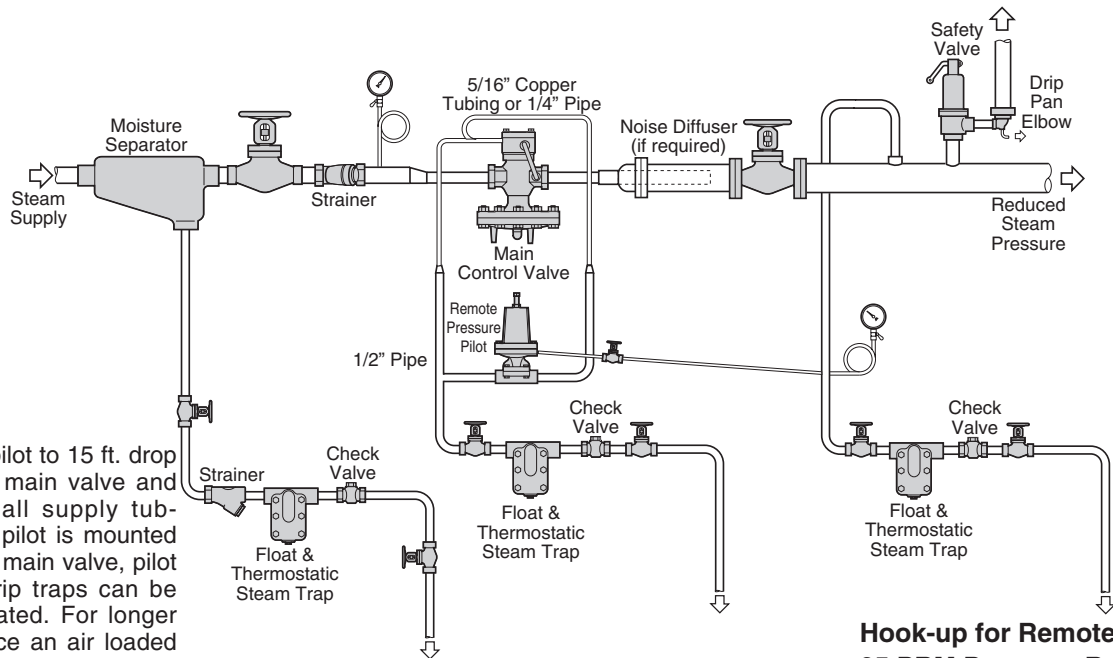
**Parallel Operation of Pressure Reducing Valves**



**Fig. 3**

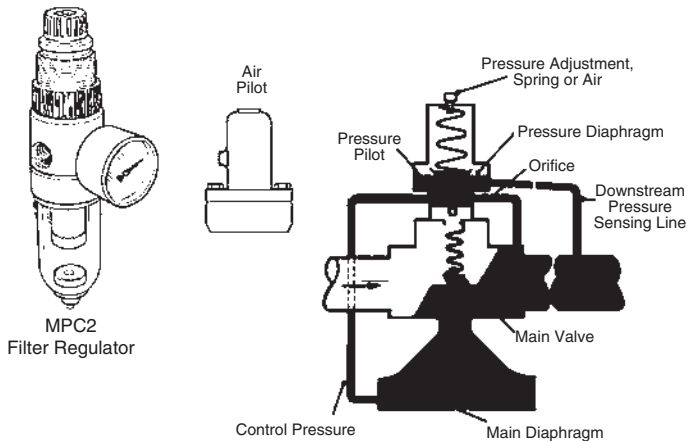
Note: Intermediate pressure takeoff requires an additional safety valve.

**Series Pressure Reducing Valve Station for High Turndown Ratios**



Limit pilot to 15 ft. drop below main valve and drain all supply tubing. If pilot is mounted above main valve, pilot line drip traps can be eliminated. For longer distance an air loaded pilot should be used.

**Hook-up for Remote Operation of 25 PRM Pressure Reducing Valve**



### How the 25P & 25PA Work

Normal positions before start-up are with the main valve closed and the pilot valve held open by spring force or air pressure. Entering steam passes through the pilot valve into the main diaphragm chamber and also out through the control orifice. As flow through the pilot valve exceeds flow through the orifice, control pressure increases in the diaphragm chamber and opens the main valve. As steam flows through the main valve, the increase in downstream pressure feeds back through the pressure sensing line to the underside of the pressure diaphragm. When the force below that diaphragm balances the compression force of the spring above it, the pilot valve throttles. The control pressure maintained in the main diaphragm chamber positions the main valve to deliver just enough steam for the desired delivery pressure. Adjustment of the spring or air pressure above the pressure diaphragm changes the downstream pressure set point. When steam is no longer required, the sensing line pressure increases closing the pressure pilot and the control pressure bleeds back through the control orifice. This allows the main valve to hold the desired reduced pressure, and it may close tight for a dead-end shutoff.

### Start-up

1. First make certain that all stop valves are closed.
2. Remove pilot spring cover then turn the pressure pilot adjustment (2D) counter-clockwise until spring is slack. Make certain spring remains in vertical position and centered in its retainers.  
Air loaded PA pilots must have no air pressure supplied to them.
3. Open stop valves in the following order:
  - a. Open stop valve ahead of steam trap on steam supply line. This will insure water free steam at the regulator inlet when put into operation.
  - b. Open small gate valve on pressure sensing line.
  - c. Open downstream stop valve.
  - d. Slowly open inlet stop valve.
4. Slowly adjust pilot spring at (2D) turning clockwise until reduced pressure required is indicated on pressure gauge downstream of valve.
5. Once the system has stabilized itself it may be necessary to make re-adjustment of pilot spring (2D). Replace spring cover then tighten adjustment locknut.
6. Important—Retighten all pilot flange connections to insure steam tight joints.
7. Air Loading PA Pilot requires air loading as indicated in the following table.

Desired Outlet Steam Pressure P2 psig	5	10	25	50	75	100
Inlet Pressure P1 psig	10 psig to 100 psig					
Approximate Air Set Pressure psig	11 to 13.5	16 to 16.8	31 to 33.5	56 to 58	80 to 81	102 to 103

## Troubleshooting (Refer to Figs. 6, 7 and 8)

Symptom	Cause	Check and Cure
1. Controlled pressure overshoots under normal load conditions	1. (a) Dirt or foreign material between pilot valve seat and head.  (b) Foreign particles between main valve head and seat.  (c) Orifices (B) and (H) or pressure sensing line may be plugged.	1. (a) Loosen screw (2D). Remove copper tubing connections at (J & L). With steam on valve, if steam flows from copper tubing connections at (J & L) remove pilot head and seat assembly (2H) and clean or replace.  (b) Inspect and clean head and seat  (c) Remove, inspect and clean.
2. Controlled pressure overshoots only on light loads.	2. (a) Main valve head and seat worn or dirt between them.  (b) Valve may be severely oversized.  (c) Bypass valve not shut tightly or leaking.  (d) Dirt or foreign material on main valve stem and guide (1F).	2. (a) Inspect and clean head and seat.  (b) Adjust screw (2D) to give desired pressure under light loads.  (c) Check and repair as required.  (d) Remove, inspect and clean.
3. Valve fails to open.	3. (a) Main valve diaphragm ruptured.  (b) Orifice (H) is plugged  (c) Pilot valve seat is plugged with dirt.  (d) Screen (1D) is plugged.  (e) Pipeline strainer blocked.  (f) Pilot valve adjustment (2D) or air loading pressure not properly adjusted.	3. (a) Unscrew copper tubing connection at (G) and crack bypass valve. If steam flows from main valve diaphragm case, diaphragm is defective and must be replaced.  (b) Remove and clean.  (c) Remove head and seat assembly (2H). Inspect and clean or replace.  (d) Inspect screen and clean.  (e) Inspect and clean.  (f) Adjust screw (2D) to desired pressure. Check air supply to PA pilots.
4. Delivery pressure low.	4. (a) Pilot valve adjustment (2D) not properly adjusted.  (b) Valve undersized.  (c) Steam supply pressure too low.  (d) Main valve diaphragm ruptured.  (e) Bleed orifice (B) missing.	4. (a) Adjustment screw (2D) to desired pressure.  (b) Check actual load against valve rating.  (c) Check and correct.  (d) Unscrew copper tubing connection (G) and crack bypass valve. If steam flows from diaphragm case, diaphragm is defective and must be replaced.  (e) Replace proper fitting.
5. Valve fails to close.	5. (a) Bypass valve open or leaking.  (b) Pilot sensing line blocked (or not installed).  (c) Pilot ruptured (water or steam coming from pilot at spring retainer area).  (d) Pilot assembly or main valve seat threads leaking.  (e) Main valve diaphragm reassembled without return spring and main valve cover holding valve head closed. (1/2" thru 4" sizes only).	5. (a) Check and repair as required.  (b) Remove, inspect, clean or install.  (c) Replace pilot diaphragm assembly.  (d) Check casting in seat area for erosion.  (e) With main valve cover installed, loosen all main valve diaphragm bolts (1C) and then retighten.

---

## Maintenance

### General Inspection

While a program of planned maintenance is always to be recommended, the Spirax Sarco 25P valve will give long and trouble-free service if correctly selected, installed and kept reasonably free of dirt and foreign matter. Dirt and foreign matter are most likely to collect during installation and later trouble can be avoided by inspecting the installation after a few days. Check the following:

1. Clean all pipeline strainers. (Remove screens to clean.)
2. Check the main valve seat (1E) and protective screen (1D).
3. Inspect and clean orifices (B) and (H).
4. Check all joints for leakage.

### Servicing Procedure (Refer to Fig. 6 and 9)

To determine which part of a malfunctioning pressure reducing valve requires maintenance, refer to the troubleshooting chart and follow this servicing procedure to check the tightness of the seats.

1. With all stop valves closed and the valve cooled down, remove the copper tubing from connectors (J) and (L) being careful not to bend them.
2. Close the pilot valve (2H) by turning the pressure adjustment (2D) counter-clockwise until the spring is slack. (No air pressure supplied to the type PA pilot).
3. Stand clear of the tubing connectors and open the inlet stop valve slightly so that a small amount of steam reaches the valve inlet and pilot.
4. Open and close the pilot valve a few times by turning the pressure adjustment (2D) and observe the steam flow from tubing connectors (J) and (L). When the pilot valve is closed, there should be no steam flow from the connectors; if there is some steam flow, it indicates that the pilot valve assembly (2H) is faulty and must be replaced.
5. With the copper tubing removed the main valve head and seat are held closed and should not pass any steam. Observe the downstream orifice connector (B). Steam flow from this connector indicates that the main valve head and seat are leaking and require servicing.

### Inspecting and Replacing Pilot Valve Head and Seat (Refer to Fig. 6 and 9)

1. Remove 4 pressure pilot flange cap screws and lift off pressure pilot. Visual examination can be made of the pilot valve head and seat.
2. Pilot valve head and seat are contained in one complete assembly. (See Fig. 6.)
3. To remove head and seat assembly (2H), unscrew hexagon, using 11/16" hex wrench.

4. If it is found that either the head or seat is worn, the entire assembly should be replaced.

### Inspecting and Replacing Pilot Valve Diaphragms (Refer to Fig. 6 and 9)

1. Turn adjustment screw (2D) counterclockwise until spring is slack. Air loaded PA pilots must have no air pressure supplied to them.
2. Remove cap screws (2C). Pilot yoke (2B) can then be removed.
3. The 2 metal diaphragms (2F) can then be inspected for distortion or possible fracture as a result of abnormal operation.
4. At the same time any accumulation of dirt or foreign material should be removed from the lower diaphragm pilot case.
5. When replacing diaphragms, make certain casting surface is clean to insure a steam tight joint. Application of a plastic compound on the casting surface, such as Garlock 101, is recommended.
6. Position pilot yoke on lower diaphragm pilot casting making certain that the yoke is properly centered.
7. Tighten all cap screws uniformly. To an assembly torque of 15-20 ft/lbs.

### Valve Sizes 1/2" Thru 4"

#### Inspecting and Replacing Main Valve Head and Seat (Refer to Figs. 6, 7, and 9)

1. Unscrew copper tubing connections at (J) and (L).
2. Remove main valve cover cap screws (1A).
3. Remove main valve cover, strainer screen (1D), spring support disc and head spring.
4. Head can then be removed by simply withdrawing with a pliers or similar tool.
5. Inspection should then be made to determine if scale or other foreign material prevented tight closure of the head and seat.
6. If it is necessary to replace the valve seat, this can be removed from the valve body using a standard hexagon socket. (Valve sizes 1/2" to 2".) When replacing the valve seat, a new gasket should be used to insure a tight joint.

2-1/2" thru 6" valves contain raised lugs for removal and seal metal-to-metal without a gasket. Replacement heads and seats should be lapped in.

## Valve Sizes 1/2" Thru 4"

### Inspecting and Replacing Main Valve Diaphragms (Refer to Figs. 5, 6, 7, and 9)

1. Unscrew copper tubing connection at (G).
2. Remove main valve diaphragm bolts (1C).
3. This will allow the lower diaphragm case to be removed.
4. The 2 metal diaphragms (1H) should be inspected to insure that they have not become distorted or possibly fractured as a result of abnormal operating conditions.
5. At the same time any accumulation of dirt or foreign material should be removed from the diaphragm case.
6. The valve stem should also be checked to make sure it is free to move and that there is no scale or foreign material lodged in the guide bushing (1F).
7. **Before reassembling diaphragms in 1/2" thru 4" sizes, main valve head must be in place and head in a closed position with the return spring and main valve cover.**
8. Make certain pressure plate (1G) is set properly. (Refer to Fig. 5.)
9. Care should be taken in centering the diaphragms properly and equalizing bolt take-up uniformly.

## 6" Valve Only

### Inspecting and Replacing Main Valve Diaphragm, Seat, and Head Assembly (Refer to Fig. 8)

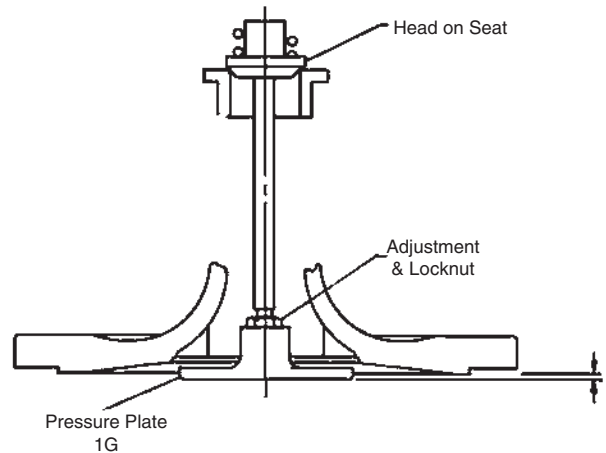
#### Diaphragms

1. Unscrew copper tubing connections (G) to lower diaphragm chamber.
2. Remove main valve diaphragm bolts (1C) and drop lower diaphragm case.
3. The 2 metal diaphragms (1H) should be inspected and replaced if they have become distorted or fractured.
4. Clean any accumulation of dirt from the diaphragm case and orifice (H).

### Servicing the Main Valve Head and Seat

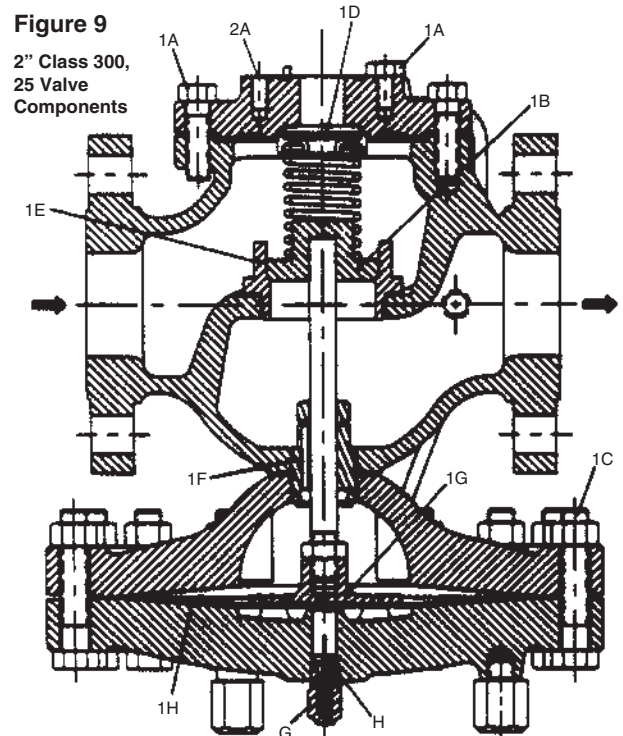
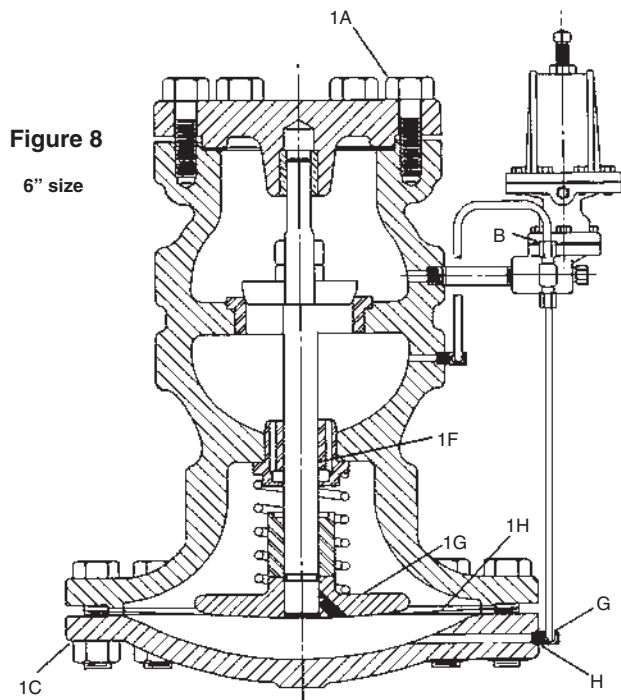
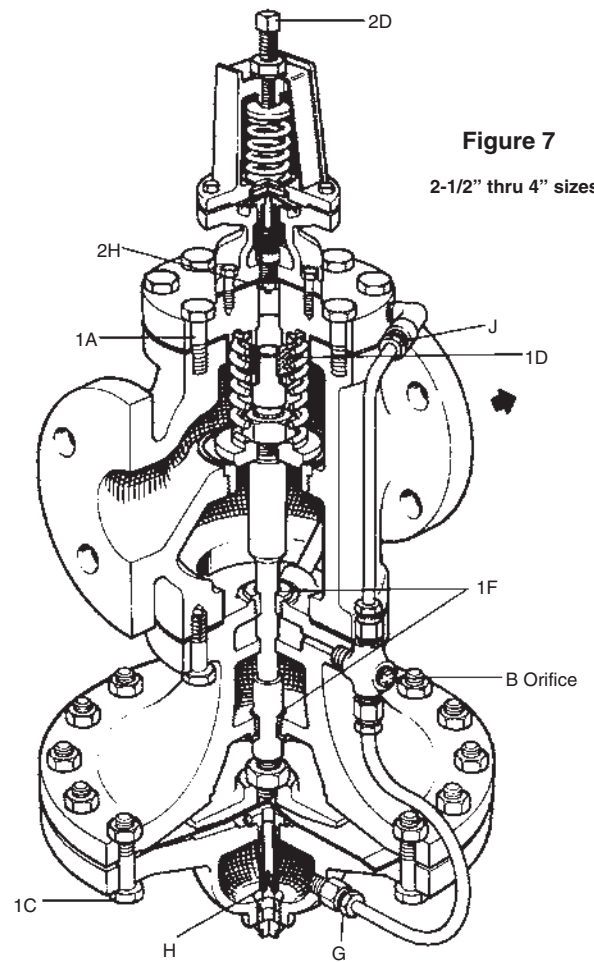
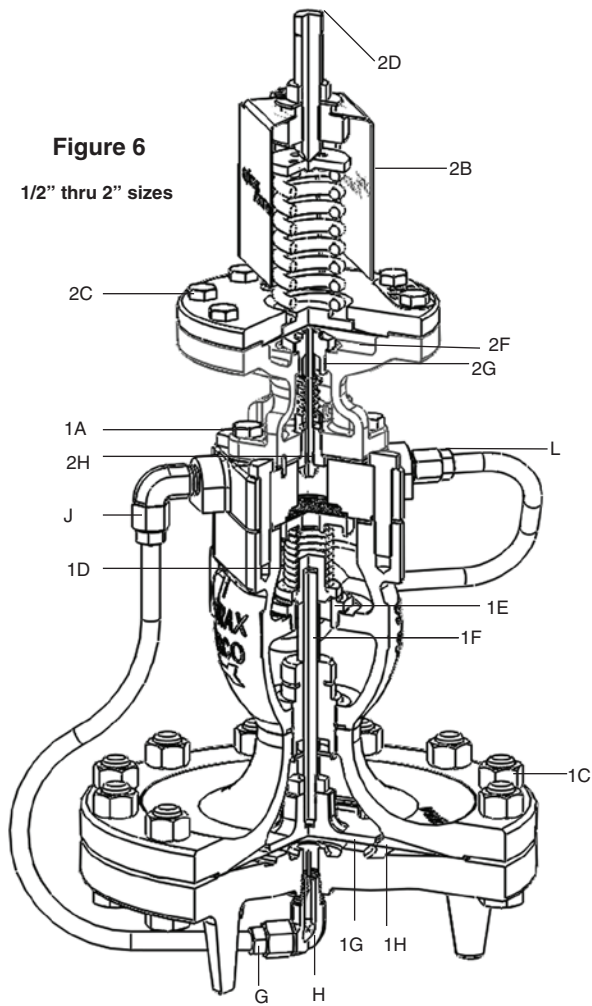
5. Loosen the diaphragm plate set screw and remove the diaphragm plate (1G).
6. Remove the top cover bolts (1A) and cover.
7. Remove the stem and head assembly from the valve. Inspect the head and seat for wear.
8. Check the body erosion around the seat ring.
9. Replacement seats and heads should be lapped in, and minor wear can be corrected by lapping with 400 grit compound.
10. On re-assembly be sure diaphragm plate (1G) is set and set screw securely tightened.

**NOTE: For replacement parts refer to Spirax Sarco Replacement Parts Reference Guide.**

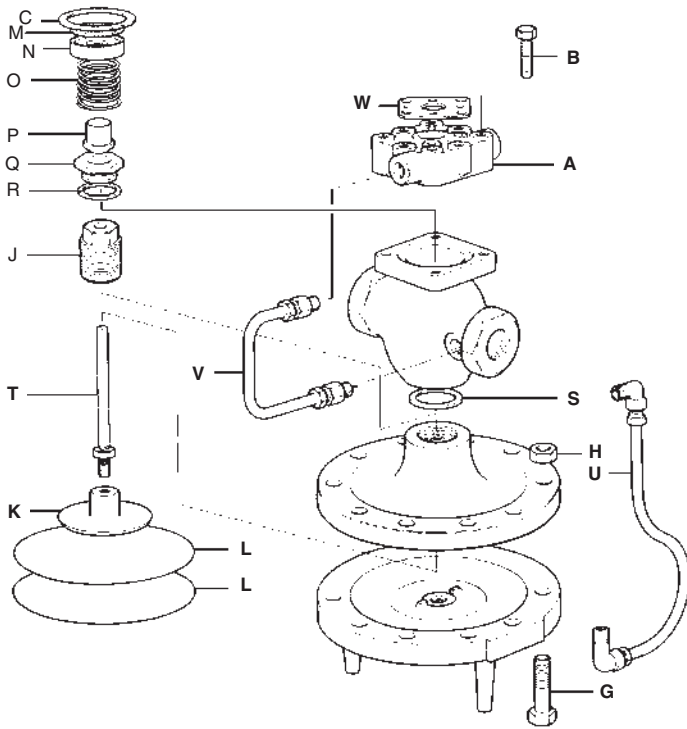


**Fig. 5—Note in 1/2" and 4" sizes, top of valve must be completely assembled and head must be on seat when measuring dimension "A" and when re-assembling diaphragms.**

Size	1/2" & 3/4"	1"	1-1/4" & 1-1/2"	2"	2-1/2"	3"	4"	6"
Dim. A	1/16"	5/64"	3/32"	1/8"	13/64"	13/64"	1/4"	27/64"



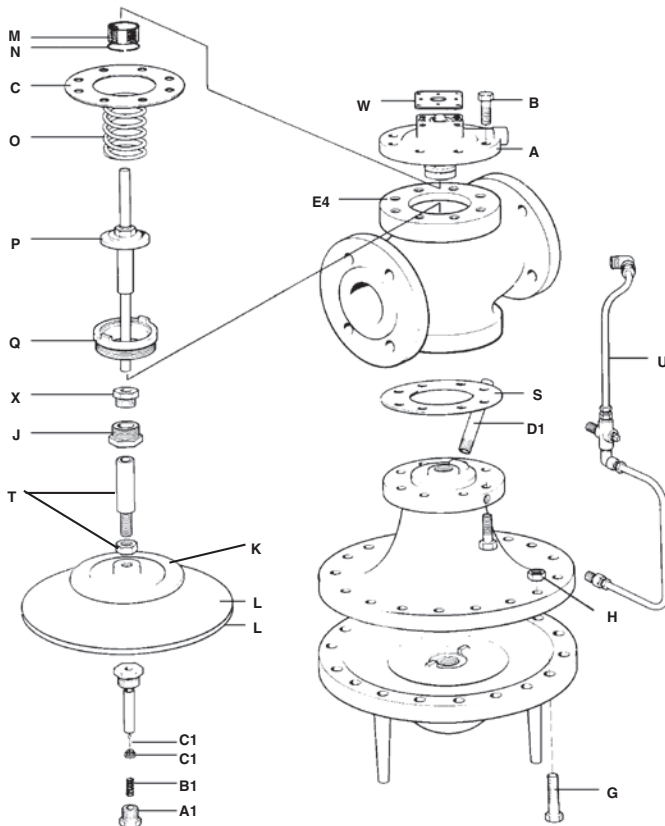
1/2" thru 2"



Spare Parts – Main Valve

Cover Assembly w/ Cap Screws & Gasket	A,B, C
Diaphragm Case Bolts & Nuts	G,H
Screen, Spring Support Disc, Valve Spring & Cap Gasket	M, N, O, C
Cap Gasket, Valve Head, Seat & Seat Gasket (2) specify regular or reduced port "S" valve	C, P, Q, R
Valve Stem Guide & Gasket	J, S, T
Diaphragm Plate	K
Diaphragms (2 ply)	L
Transmission Tubing w/ Assembly	U, V
Gasket Kit	C, R, S, W
Rebuild Kit	B, C, L, M, O, P, Q, R U, V, W

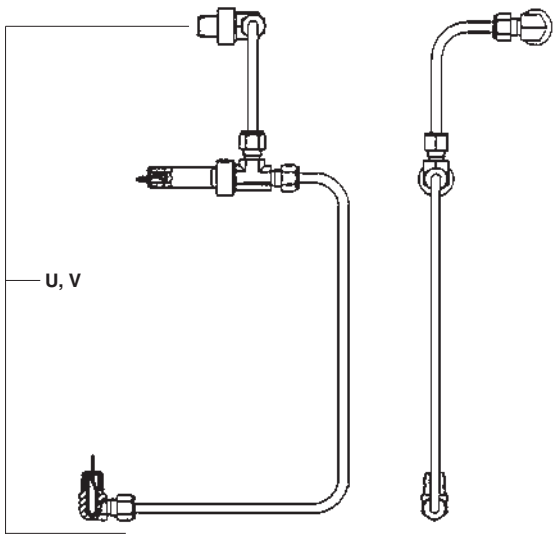
2-1/2" thru 4"



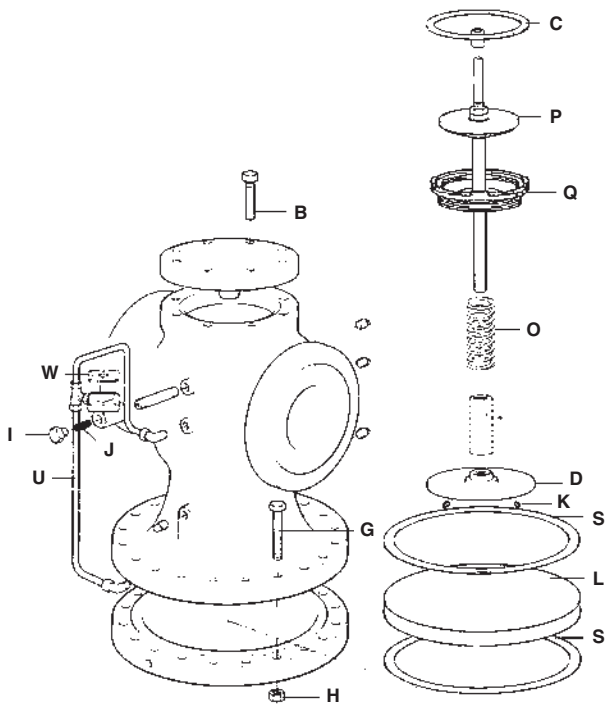
Spare Parts – Main Valve

Cover Assembly w/ Cap Screws & Gasket	A,B, C
Diaphragm Case Bolts & Nuts	G,H
Screen, Spring Support Disc, Valve Spring & Cap Gasket	M, N, O, C
Cap Gasket, Valve Head, Seat & Seat Gasket (2) specify regular or reduced port "S" valve	C, P, Q, X
Diaphragms (2 ply)	L
Transmission Tubing w/ Assembly	U
Gasket Kit	S, W, C
Damping Assembly	A1, B1, C1
Diaphragm Plate	K
Lower Stem & Guide	J, T
Relief Tube	D1
Rebuild Kit	B, C, L, M, O, P, Q, R, U, W

## Transmission Tubing



6"



## Spare Parts – Main Valve

Main Valve Spring	O, S
& Lower Diaphragm Cover Gaskets	
Diaphragm Plate & Set Screws	K, D
Transmission Tubing with Fittings	U*
Diaphragms (2 per set)	L*
Gasket Kit	C, S, W*
Head, Stem & Seat Assembly	P, Q, C
"S" Head, Stem & Seat Assembly	P, Q, C
Screen Assembly	I, J
Cover Bolt Kit	B
Diaphragm Case Bolt Kit	G, H

### Spare Kits

\* A standby set of spares for general maintenance purposes includes all spares marked

# How to Size Piping for 25-Series Regulators

## Principle

When steam pressure is lowered through a reducing valve, the steam expands creating a higher velocity. The extreme velocities that must exist across reducing valve seats cannot be tolerated in pipes supplying the valves and leading from them. Erosion and noise would be prohibitive.

It is recommended practice in heating systems to limit velocities to between 4,000 and 6,000 feet per minute. Higher velocities are often acceptable outdoors and in plants where the environment is already noisy.

This chart lists steam capacities of pipes under various pressure and velocity conditions.

## Example

Given a steam heating system with a 100 psig inlet pressure ahead of the pressure reducing valve and a capacity of 1,000 pounds per hour at a reduced pressure of 25 psig, find the smallest sizes of upstream and downstream piping for reasonable steam velocities.

### Upstream Piping

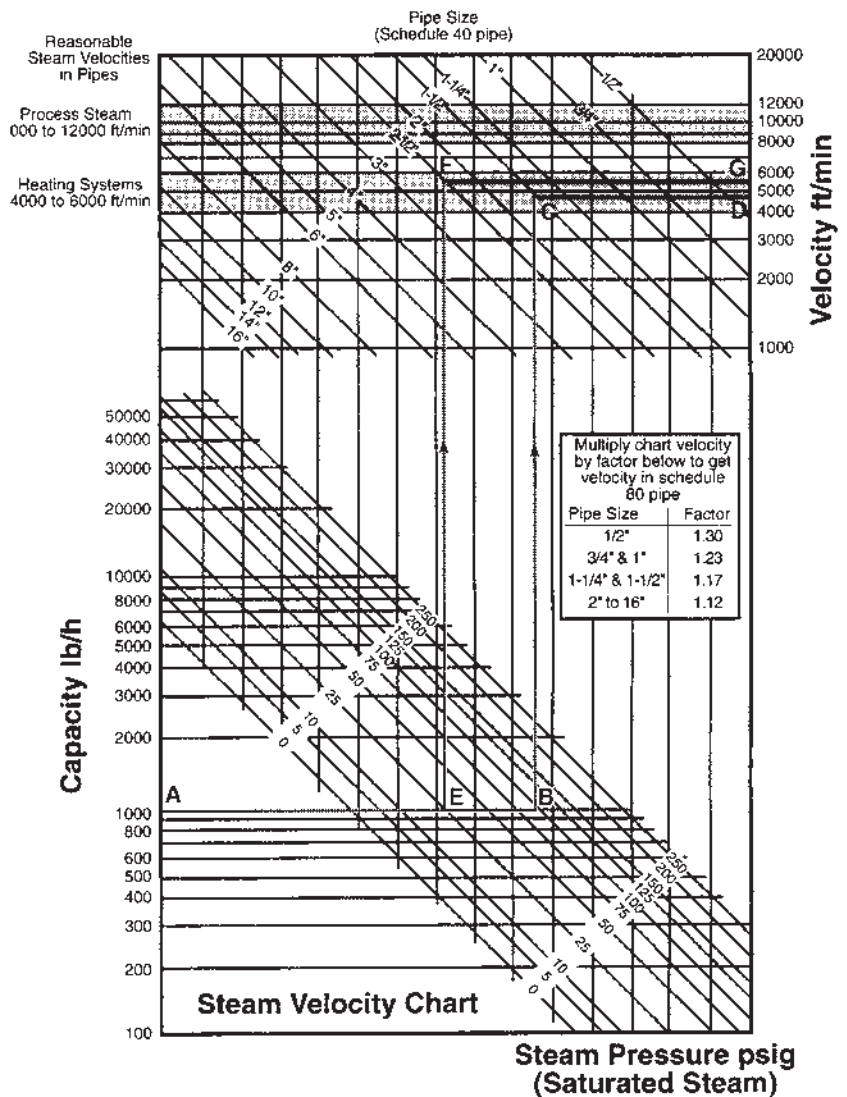
Enter the velocity chart at point A for 1,000 pounds per hour. Proceed horizontally to point B where the 100 psig diagonal line intersects.

Follow up vertically to point C where an intersection with a diagonal line falls inside the 4,000 to 6,000 feet per minute velocity band. Actual velocity (see point D) is about 4,800 feet per minute for 1-1/2 inch upstream piping.

### Downstream Piping

Enter the velocity chart at point A for 1,000 pounds per hour. Proceed horizontally to point E where the 25 psig diagonal line intersects.

Follow up vertically to point F where an intersection with a diagonal line falls inside the 4,000 to 6,000 feet per minute velocity band. Actual velocity (see point G) is about 5,500 feet per minute for 2-1/2 inch downstream piping.



For any additional information you may require, contact:  
 Spirax Sarco Applications Engineering Department  
 Toll Free at:  
 1-800-833-3246



SPIRAX SARCO, INC. • 1150 NORTHPOINT BLVD. • BLYTHEWOOD, SC 29016  
 PHONE 803-714-2000 • FAX 803-714-2222 • www.spiraxsarco.com/us