

Liquid Expansion Thermotons

Type CL, 0-125 psig/0-8.6 bar
Type CH, 0-300 psig/0-20.7 bar



Installation-Temperature Regulation

The Type C THERMOTONS regulate temperature by discharging condensate below 212°F. Since a portion of the steam system always contains condensate, care should be exercised in installing these devices on coils which are exposed to freezing temperatures. Thermotons should be installed horizontally whenever possible but they will operate satisfactorily in a vertical position. When connected horizontally (Fig. 2), the outlet should point upward to assure full flow of condensate around the thermostat inside the Thermoton. When installed outdoors (Fig. 3), the outlet must be turned downwards to insure complete drainage from the body to prevent freeze-up.

Adjustment (Fig. 1 & 2)

Allow at least 1/2 hour after turning on steam before making an adjustment.

- (1) Loosen lock nut A.
- (2) Turn hexagon "B" slowly one-sixth of a turn at a time, clockwise to raise temperature, counterclockwise to lower temperature.
- (3) Tighten lock nut A and allow some time after each adjustment to make sure of the temperature setting.

Installation-Freeze Protection for Outdoor Equipment (Fig. 4)

Thermotons prevent freeze-up damage by draining mechanical steam traps and similar steam pressurized equipment installed outdoors should they lose steam pressure during the cold season. They must be installed at the lowest point of the system with the outlet turned downwards to insure complete drainage from the body, a discharge pipe nipple is not recommended. The Thermoton should be adjusted to open at 75°F (24°C).

Strainer

A strainer installed ahead of the Thermoton is essential to prevent sediment and scale from interfering with the operation of the control.

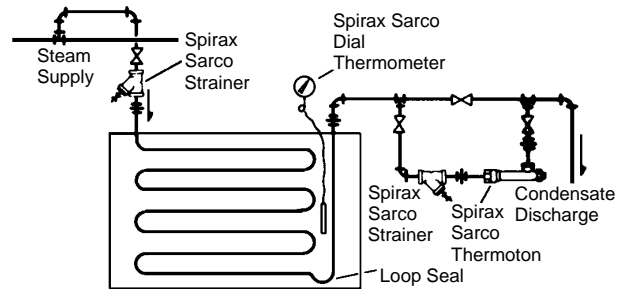


Figure 2
Controlling Temperature of Rinse or Cleaning Tank

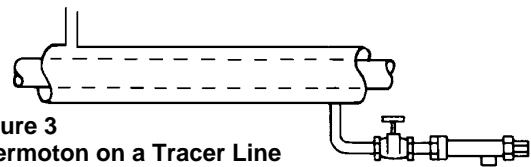


Figure 3
Thermoton on a Tracer Line

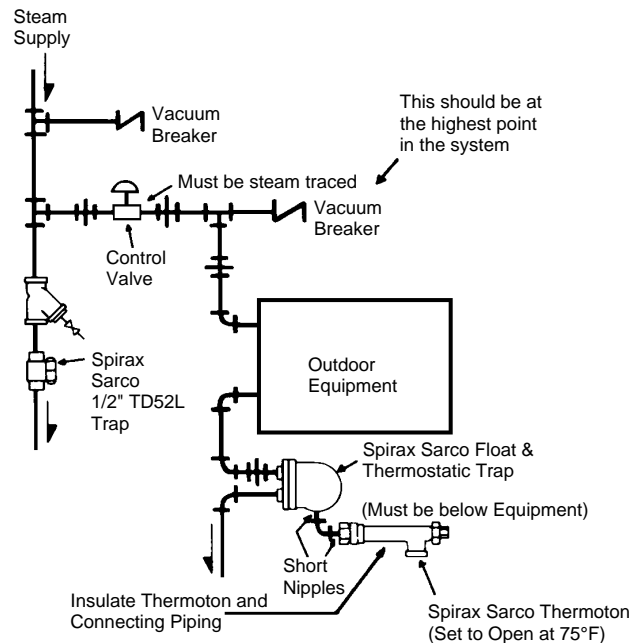


Figure 4
Freeze-proof Hook-up for Draining Outdoor Equipment