



Cert. No. LRQ 0963008

ISO 9001

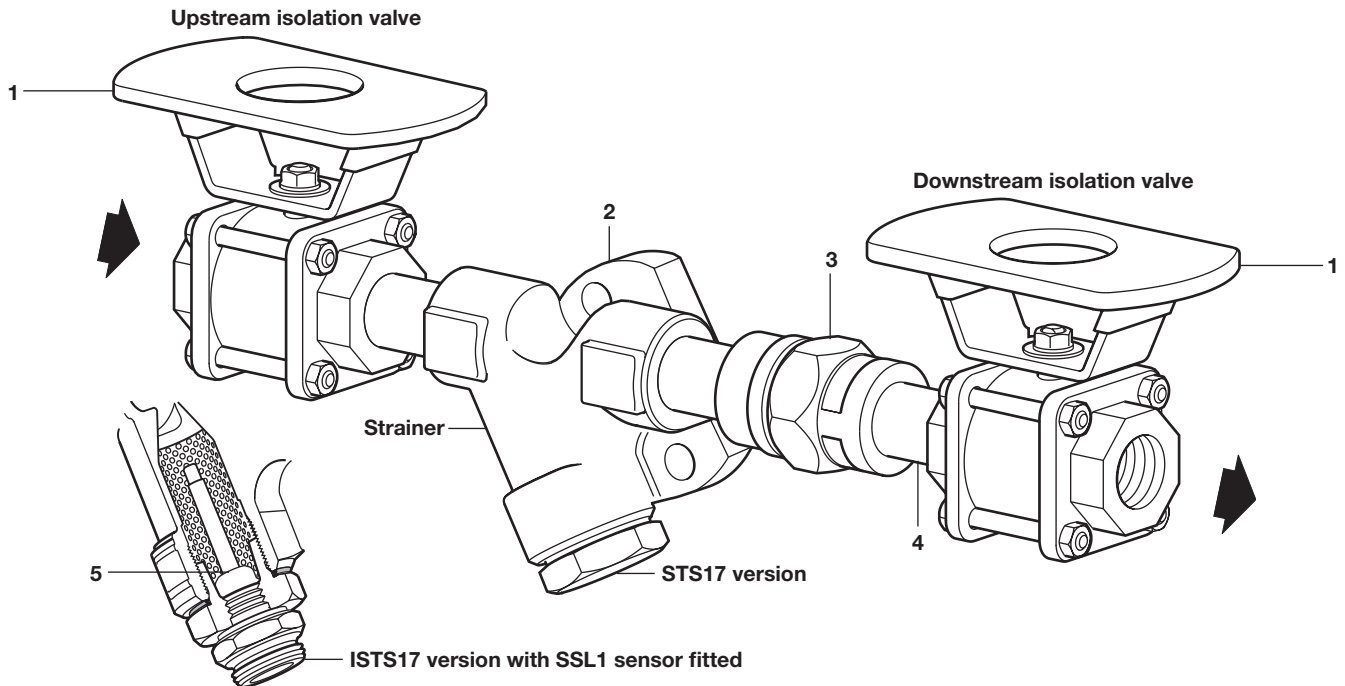
# spirax sarco

TI-P178-01  
ST Issue 2

## STS17 and ISTS17

### Stainless Steel

# Pipeline Connector Steam Trapping Stations



### Description

The STS17 range of fabricated steam trap stations have been designed to provide a convenient ready to install trapping solution which has an upstream isolation valve (1), strainer with, quickfit connector (2), check valve (3) and a downstream isolation valve (1). The following swivel connector steam traps can be used with the STS17, enabling it to be tailored to suit any application (sold separately):

- UTD30 and UTD52 thermodynamic steam traps.
- UBP21 and UBP32 balanced pressure steam traps.
- USM, bimetallic steam traps.
- UFT14 and UFT32 ball float steam traps.
- UIB30 and UIB30H inverted bucket steam traps.

To enable the steam trap operation to be monitored, the ISTS17 has an integral Spiratec sensor (5).

### Standards

These products fully comply with the requirements of the European Pressure Equipment Directive 97/23/EC.

### Certification

These products are available with certification to EN 10204 2.1. **Note:** All certification/inspection requirements must be stated at the time of order placement. For other certification contact Spirax Sarco.

### Sizes and pipe connections

½", ¾" and 1" screwed BSP, NPT or socket weld. DN15, DN20 and DN25, flanged EN 1092 PN40, ANSI 150 and ANSI 300.

### Optional extras

**Integral sensor type SSL1** (steam only) or **WLSL1** (for waterlogging) for use with R1C or WLSL1 with DIODE for use with RI6C are available as optional extras, to enable operational monitoring of the steam trap.

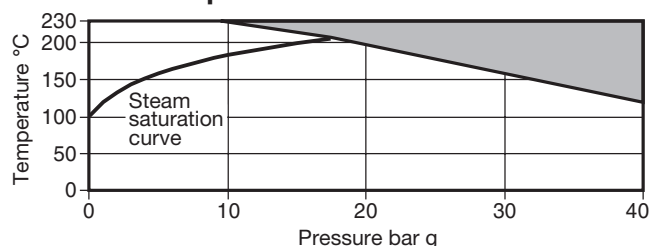
**Integral blowdown valve** is also available (standard STS17 only) for cleaning the strainer during operation. Care should be taken when using the integral blowdown valve as the discharge may be hot.

**Insulation jacket** is available to reduce heat loss and energy wastage. See separate literature.

### Materials

No.	Part	Material	
1	Isolation ball valves	Stainless steel	ASTM A182 F316L
2	Quick fit connector	Stainless steel	ASTM A351 Gr. CF8
3	Check valve	Stainless steel	ASTM A351 CFM3M
4	Pipe	Stainless steel	316L
5	Spiratec sensor (ISTS17 only)	Stainless steel with peek plastic	

### Pressure/temperature limits

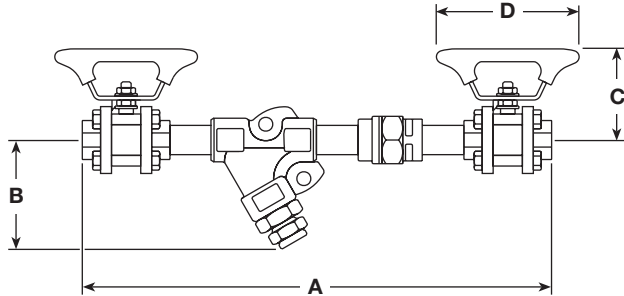


The product **must not** be used in this region.

System design conditions		PN40
PMA	Maximum allowable pressure	40 bar g @ 120°C
TMA	Maximum allowable temperature	230°C
Minimum allowable temperature		0°C
PMO	Maximum operating pressure for saturated steam service	17.5 bar g
TMO	Maximum operating temperature	230°C @ 10 bar g
Minimum operating temperature		0°C
Designed for a maximum cold hydraulic test pressure of 60 bar g		

### Dimensions/weights (approximate) in mm and kg

Size	A	B	C	D	Weight
1/2"	360	127	54	106	2.8
3/4"	410	127	64	106	3.4
1"	460	132	78	133	5.6
DN15	475	127	54	106	4.5
DN20	535	127	64	106	6.0
DN25	600	132	78	133	8.8



### Spare parts

The spare parts are available as indicated below. No other parts are supplied as spares.

#### Available spares

Seat and stem seals	<b>6A, 6B, 6C</b>
Strainer screen and gasket	<b>7, 8</b>
Sensor and sensor gasket (SSL1)	<b>9, 10</b>
with diode (WLSL1) waterlogging	<b>8, 9, 10, 11</b>

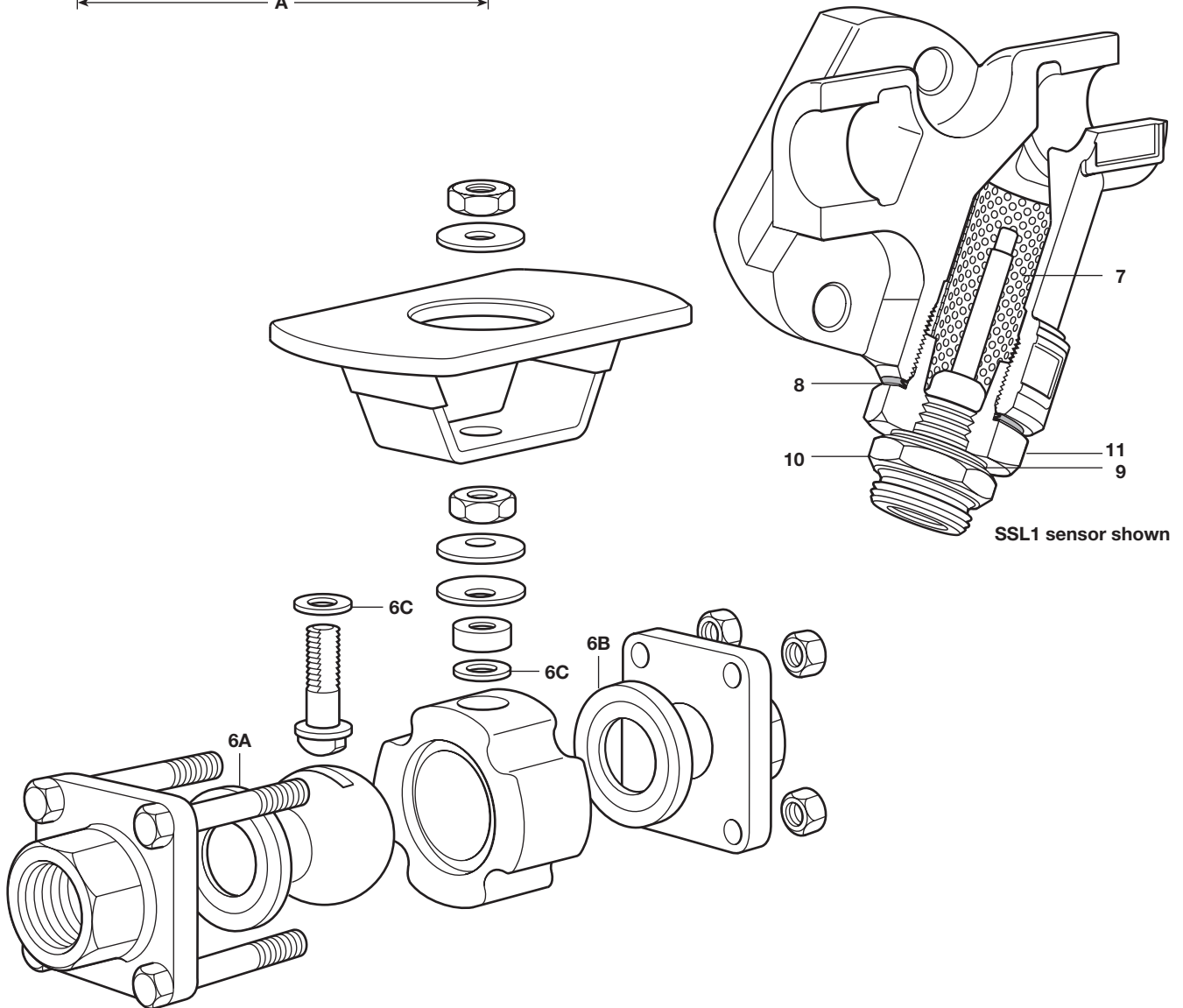
Retrofit kit (STS17 only)

**Note:** When converting an STS17 to a ISTS17 state whether an SSL1 or WLSL1 sensor is required.

#### How to order spares

Always order spares using the description given in the column headed 'Available spares' and state the size and model number.

**Example:** 1 off Sensor and sensor gasket with diode WLSL1 waterlogging for a 1/2" ISTS17 pipeline connector steam trapping station.



### Safety information, installation and maintenance

For full details see the Installation and Maintenance Instructions (IM-P178-02) supplied with the product.

#### How to order

**Example:** 1 off Spirax Sarco 1/2" screwed BSP ISTS17 stainless steel pipeline connector steam trapping station, having a Spiratec SSL1 sensor.