



Cert. No. LRQ 0963008

ISO 9001



Certificate No. 9603028

DRV & DRVG 직동식 감압밸브 정비부품

● 정비부품(DN15, DN20 밸브)

밸브 어셈블리

DRV4, DRV7	Stainless steel seated
DRV4G, DRV7G	Nitrile soft seated

구동기 어셈블리

Types 1 ~ 5	EPDM diaphragm
Types 1N ~ 5N	Nitrile diaphragm

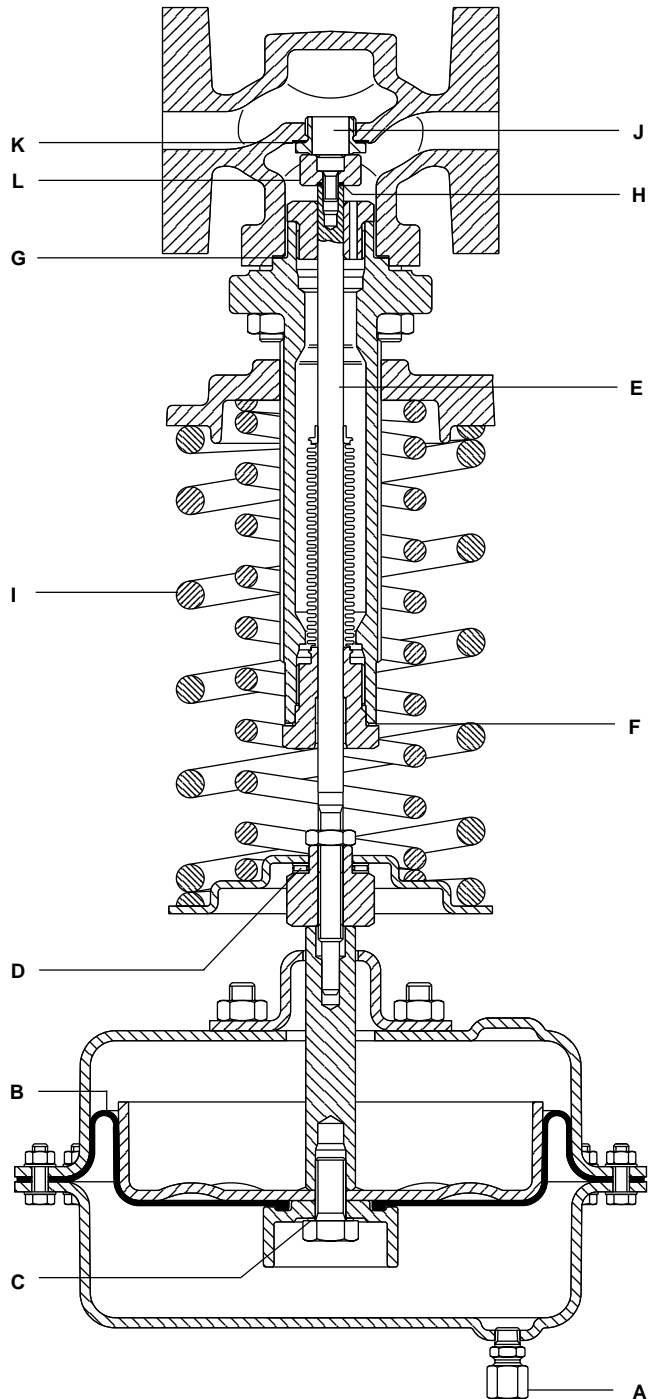
DN25 ~ DN100

● 이용가능한 정비부품

정비부품명세

Coupling	A
Diaphragm set (diaphragm and fibre washer)	B, C
Needle bearing	D
Sealing bellows set (sealing bellows assembly, sealing bellows gasket, bonnet gasket and head seal)	E, F, G, H
Control spring(s)	I
Seat / Head set (seat, seat gasket, head, head seal and bonnet gasket)	J, K, L, H, G
Gasket set (sealing bellows gasket, bonnet gasket, head seal and seat gasket)	F, G, H, K

● 교체방법



DN15, DN20

DRV & DRVG 직동식 감압밸브 정비부품

● 정비부품(DN25~DN100 밸브)

밸브 어셈블리

DRV4, DRV7	Stainless steel seated
DRV4G, DRV7G	Nitrile soft seated

구동기 어셈블리

Types 1 ~ 5	EPDM diaphragm
Types 1N ~ 5N	Nitrile diaphragm

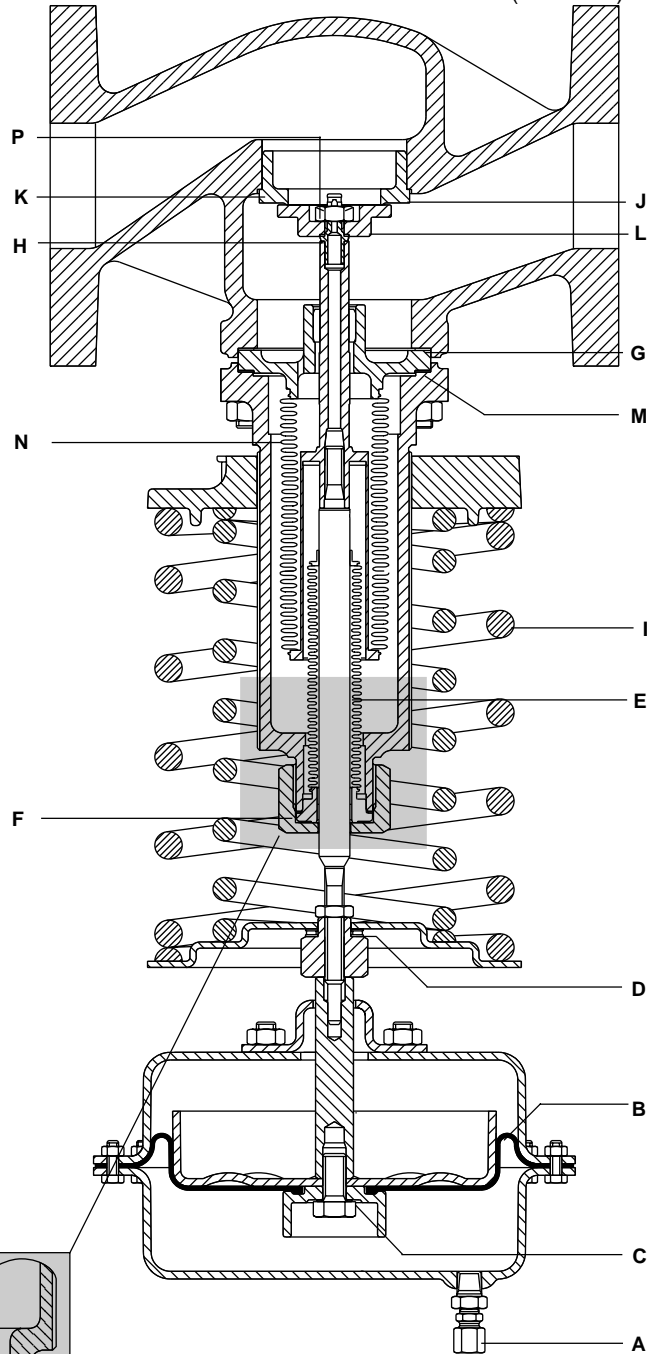
DN15, 20

● 이용가능한 정비부품

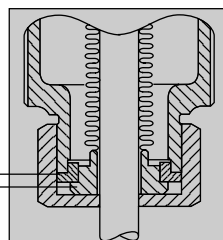
정비부품명세

Coupling	A
Diaphragm set (diaphragm and fibre washer)	B, C
Needle bearing	D
Sealing bellows set sealing bellows assembly, sealing bellows gasket plus : - Adaptor gasket DN25 ~ DN50. - Clamp plate gasket DRV4 DN65 ~ DN100.	E, F, (O), (R)
Control spring(s)	I
Seat / Head set DN25 to DN50 (seat, seat gasket, head, head nut, head seal and bonnet gasket)	J, K, L, P, H, G
Head set DN65 to DN100 (head, head nut, head seal, locknut, bonnet gasket and bellows gasket).	L, P, H, G, M
Balancing bellows set DN25 to DN50 (balancing bellows assembly, balancing bellows gasket, bonnet gasket, head seal, head nut, sealing bellows gasket and adaptor gasket).	N, M, G, P, H, F, O
Balancing bellows set DN65 to DN100 (balancing bellows assembly, balancing bellows gasket, bonnet gasket, head nut and head seal).	N, M, G, P, H
Gasket set DN25 to DN50 (sealing bellows gasket, bonnet gasket, head seal seat gasket, balancing bellows gasket and adaptor gasket)	F, G, H, K, M, O
Gasket set DN65 to DN100 (sealing bellows gasket, bonnet gasket, head seal and balancing bellows gasket plus clamp plate gasket DRV4 only).	F, G, H, M

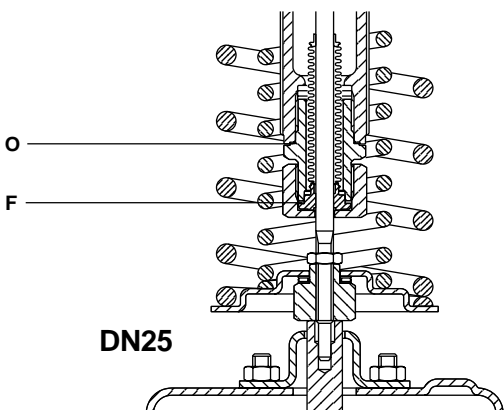
● 교체방법



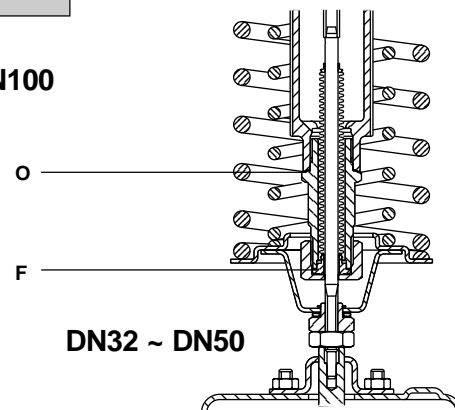
DN65 ~ DN100



DRV4
DN65 ~ DN100



DN25



DN32 ~ DN50