



Cert. No. LRQ_0963008

ISO 9001

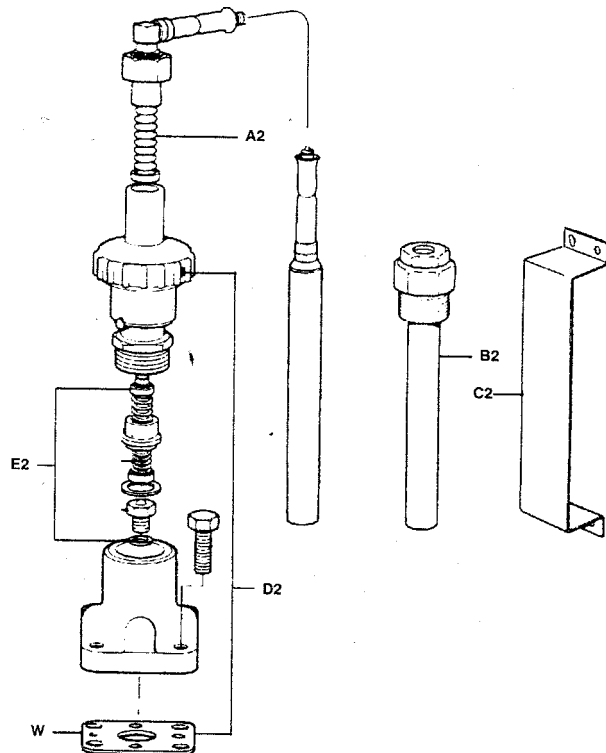
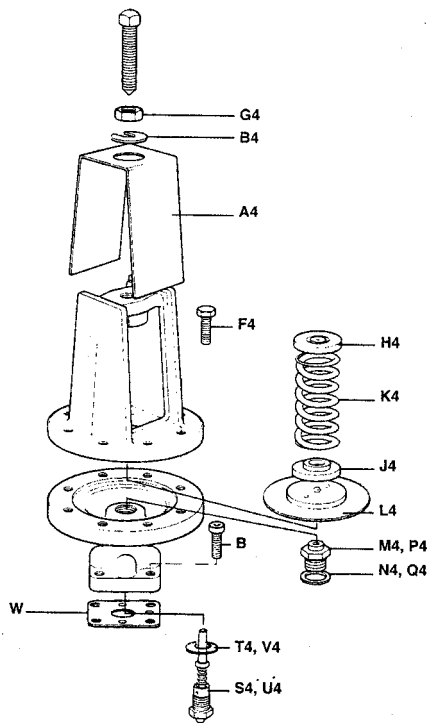
1/2"~6" 25P, 25PE, 25PT, 25PTE, 25PA, 25BP 파이로트밸브 정비부품

● 압력조절용 파이로트 밸브-P, BP

Cover Plate w/Retaining Ring	A4, B4
Pilot Screws w/Gasket	B, F4
Adjustment Screw w/Nut, and Upper and Lower Spring Support Discs	G4, H4 J4
Adjustment Spring	K4
Specify controlled pressure and spring color	
Yellow 3 ~ 30 psi (0.2 ~ 2.0 kg/cm ²)	
Blue 20 ~ 100 psi (1.4 ~ 7.0 kg/cm ²)	
Red 80 ~ 250 psi (5.6 ~ 20.0 kg/cm ²)	
Diaphragm Assembly	L4
Stem Guide w/Gasket(25P, 25PA)	M4, N4
Stem Guide and Seal Gasket(25BP)	P4, Q4, R4
Head & Seat Assmby w/Gasket (25P, 25PA)	S4, T4
Head & Seat Assembly(25BP)	U4, V4
Square Gasket for all Pilots	W

● 온도조절용 파이로트 밸브

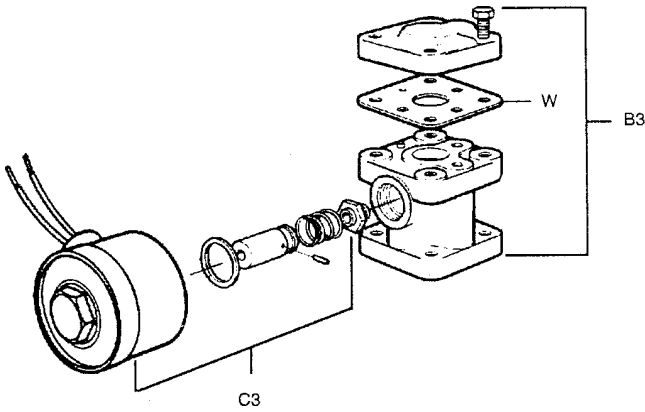
Thermal System(T1, T2, T3, T10, T11, T12)	
State bulb style, capillary tube length & Temperature range	A2
Well(T5, T6, T7, T8, T11)	B2
State bulb style	
Wall Mounting Bracket(T9) State bulb style	C2
Complete Pilot Body Assembly	D2, W
Head & Seat Assembly	E2, W
Specify 15 psig or below Assembly or Standard	



1/2"~6" 25P, 25PE, 25PT, 25PTE, 25PA, 25BP 파이로트밸브 정비부품

● **솔레노이드 밸브**

NEMA 4 & 7 Solenoid specify voltage and steam pressure	C3
Complete "E" Pilot Body Assembly	B3, W



● **주문방법**

- : 1 - Thermal System style T1 for 2" Spirax Sarco 25PT Pressure Temperature control with 8 - ft capillary tubing and temperature range 120 to 180
- 1 - NEMA 4 Solenoid for 1 - 1/2" Spirax Sarco 25PE Reducing Valve with 115 volt, 60 Hz AC coil steam pressure 200 psi.

● **정비방법**

● **에어 구동용 파이로트 밸브-PA**

Pilot Mounting Screws	B
Lower Diaphragm Assembly	L4
Upper Diaphragm for PA4	L5
Upper Diaphragm for PA6	L5
Stem Guide w/Gasket	M4, N4
Head & Seal Assembly w/Gasket	S4, T4
Square Gasket for all Pilots	W

