



Cert. No. LRQ 0963008

ISO 9001

## 1/2"~4" 25P, 25PE, 25PT, 25PTE, 25PA, 25BP 메인밸브 정비부품

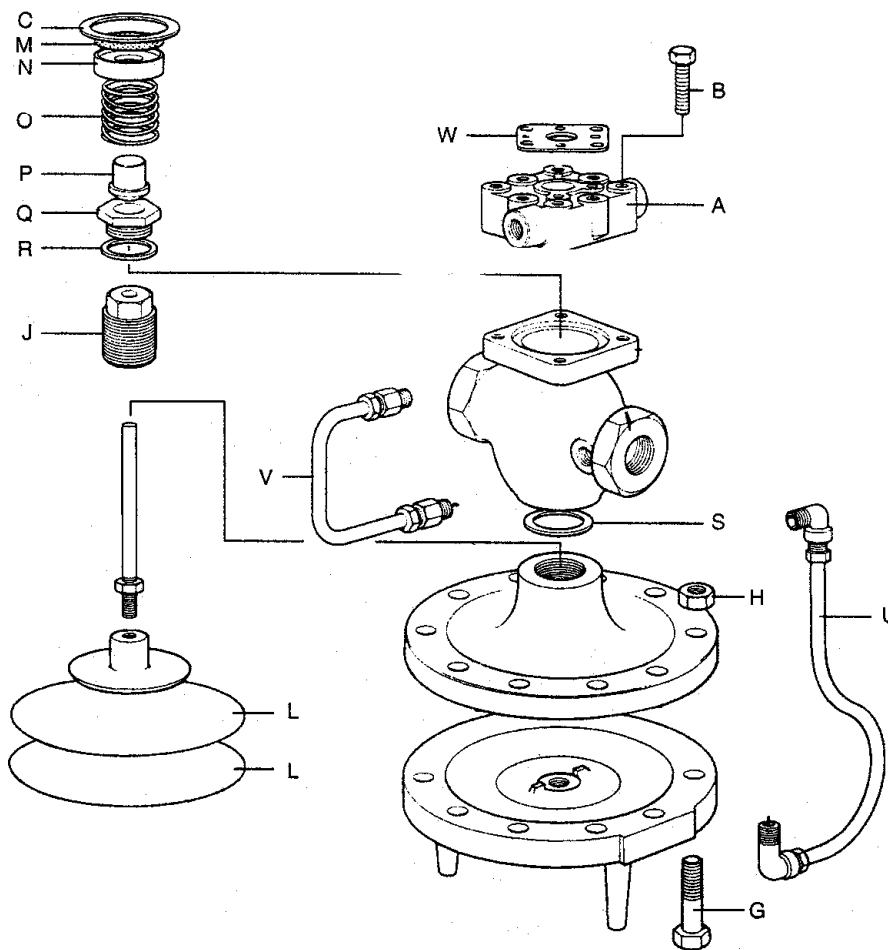
### ● 정비부품(1/2" ~ 2")

Cap Assembly w/Cap Screws & Gasket	A, B, C
Diaphragm Case Bolts & Nuts	G, H
Screen, Spring Support Disc, Valve Spring & Cap Gasket	M, N, O, C
Cap Gasket, Valve Head, Seat & Seat Gasket(2) specify regular or reduced port "S" valve	C, P, Q, R
Valve Stem Guide	J, S
Diaphragms(2 ply)	L
Transmission Tubing w/Assembly	U, V
Gasket Kit	C, R, S, W
Damping Assembly	A1, B1, C1

### ● 주문방법

: 1 - Cap Assembly for 1 - 1/2" Spirax Sarco 25P Cast Iron Reducing Valve

### ● 정비방법



**1/2"~4" 25P, 25PE, 25PT, 25PTE, 25PA, 25BP 메인밸브 정비부품**

● 정비부품(2 1/2" ~ 4")

Cap Assembly w/Cap Screws & Gasket	A, B, C
Diaphragm Case Bolts & Nuts	G, H
Screen, Spring Support Disc, Valve Spring & Cap Gasket	M, N, O, C
Cap Gasket, Valve Head, Seat & Seat Gasket(2) specify regular or reduced port "S" valve	C, P, Q, X
Lower Stem Guide & Gasket	J, S
Diaphragms(2 ply)	L
Transmission Tubing w/Assembly	U, V
Gasket Kit	C, R, S, W
Damping Assembly	A1, B1, C1

● 주문방법

: 1 - Cap Assembly for 2 - 1/2" Spirax Sarco 25P Cast Iron Reducing Valve

● 정비방법

