



Cert. No. LRQ 0963008

ISO 9001

## 6" 25P, 25PE 감압밸브

● 용도

25P 1/4" NPT  
2

● 몸체설계조건

: 17 kg/cm<sup>2</sup>, 232

: 21 kg/cm<sup>2</sup>, 316

\*25PE 14 kg/cm<sup>2</sup>, 200

● 2차압력 조정범위

: 0.2 - 2.0 kg/cm<sup>2</sup>

: 1.4~7.0 kg/cm<sup>2</sup>

: 5.6~20.0 kg/cm<sup>2</sup>

(25PE : 5.5~13 kg/cm<sup>2</sup>, 200 )

● 구경

6"

● 파이프접속방법

ANSI 150/300, KS10/20

(주) 최대사용 온도/압력 범위는 밸브의 몸체설계조건과 적용한 플랜지 규격을 동시에 고려하여 등급이 낮은 쪽을 기준으로 사용하여야 한다.

● Cv값

구경	6"S	6"
Cv	185	260

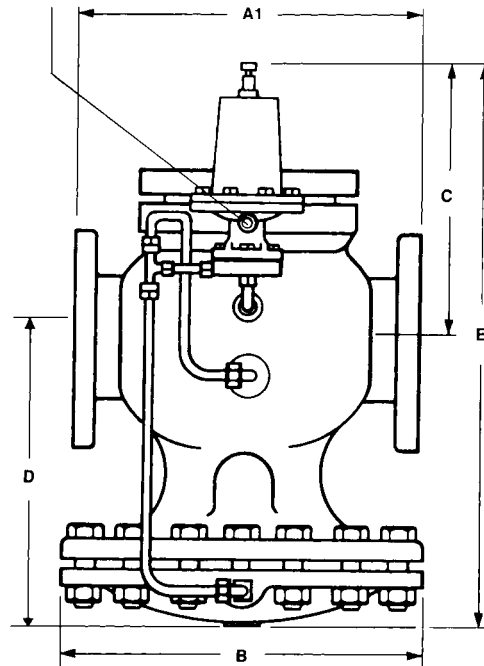
● 솔레노이드 파이로트 밸브

: 115/220 V 60 Hz

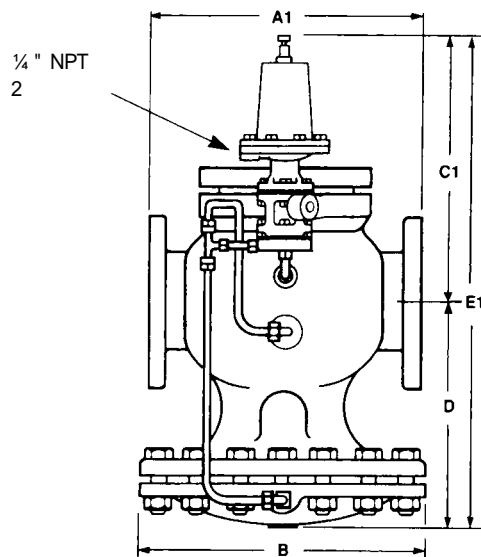
: NEMA 4 & 7

: 14 kg/cm<sup>2</sup>

(Normally Closed)



25PE

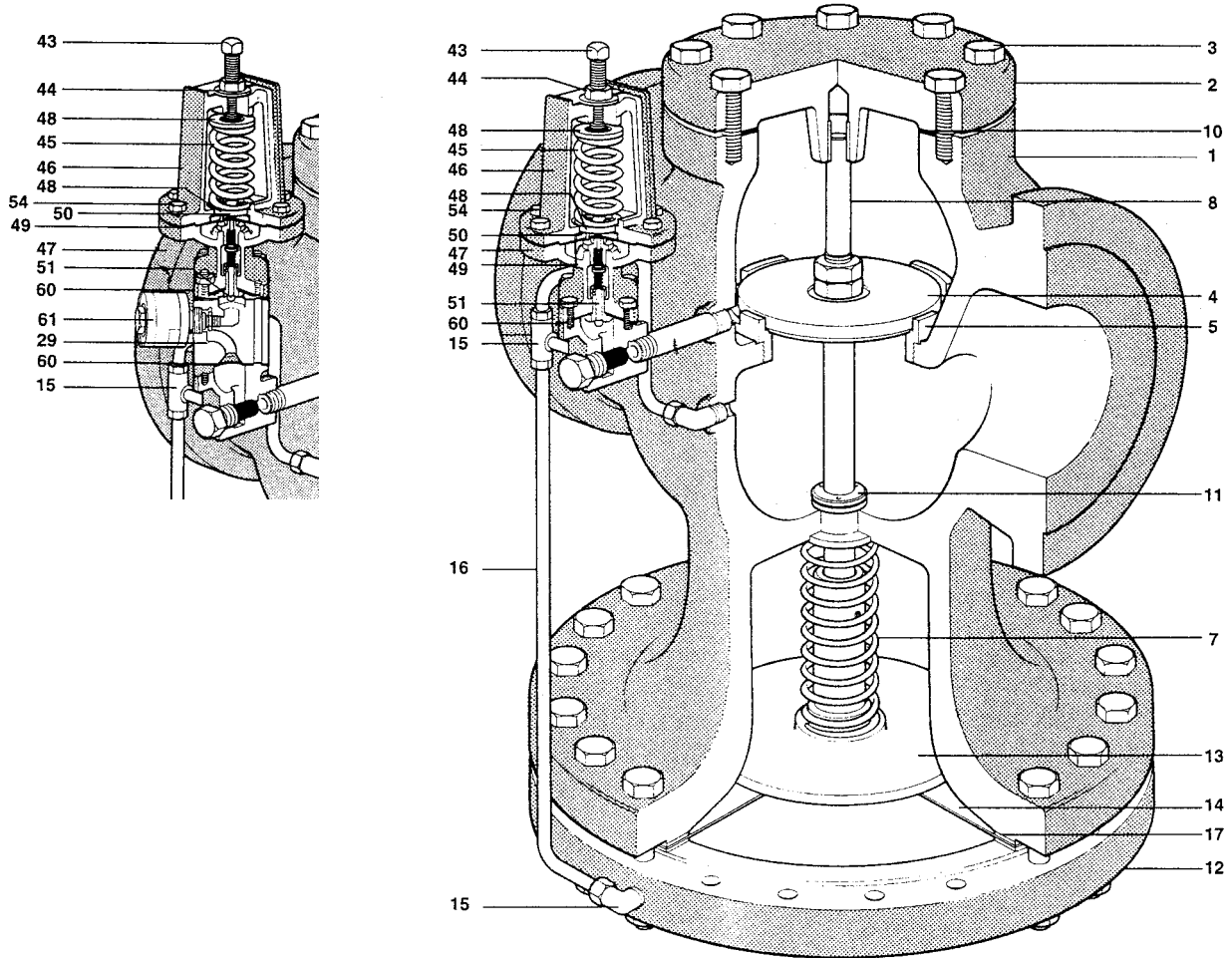


● 치수(mm) 및 무게(kg)

구경	KS10	125lb	250lb	B	C	C1	D	E	E1	무게	
	A1	A1	A1							25P	25PE
6"	475	460	483	502	302	359	424	725	783	254	254

# 6" 25P, 25PE 감압밸브

TI-S10-91  
BR Issue 2  
(KR 0011)



## ● 재 질

번호	부품명	재질
1	Valve Body	Cast Iron ASTM A126 CL B
		Cast Steel ASTM A216 WCB
2	Cover	Cast Iron ASTM A126 CL B
		Cast Steel ASTM A216 WCB
3	Cover Bolts	Steel AISI 1036
4	Main Valve Head	Stainless Steel ASTM A743 CA 40
5	Main Valve Seat	Stainless Steel ASTM A743 CA 40
7	Valve Return Spring	Stainless Steel AISI 302
8	Valve stem	Stainless Steel AISI 304
10	Cover Gasket	Graphite BS 2815A
11	Stem Bushing	Brass ASTM B16
12	Lower Diaphragm Case	Cast Iron ASTM A126 CL B
		Cast Steel ASTM A216 WCB
13	Diaphragm Plate	Stainless Steel ASTM A743 CA 40
14	Main Diaphragm(2ply)	Stainless Steel AISI 301
15	Tube & orifice	Brass ASTM B16
16	Tubing Assembly	Copper ASTM B280(122)
17	Diaphragm Gasket(2)	Graphite BS 2815A
29	Electric Pilot Adapter	Cast Iron ASTM A126 CL B
43	Adjustment Screw	Stainless Steel AISI 304
44	Jam Nut	Brass ASTM B6
45	Pilot Valve Spring	Steel AISI 1060

번호	부품명	재질
46	Upper Diaphragm Case	Cast Iron ASTM A126 CL B
		Cast Steel ASTM A216 WCB
47	Lower Diaphragm Case	Cast Iron ASTM A126 CL B
		Cast Steel ASTM A216 WCB
48	Spring Plate	Steel ASTM A569
49	Diaphragm	Phosphor Bronze ASTM B103
50	Diaphragm Plate	Brass ASTM B36
51	Head & Seat Assembly	Stainless Steel AISI 400
		Stainless Steel AISI 440F
54	Diaphragm Case Screws	Steel 5/16" - 18 x 1" ASTM A449
60	Pilot Gasket	Graphite
61	Electric Solenoid Valve	