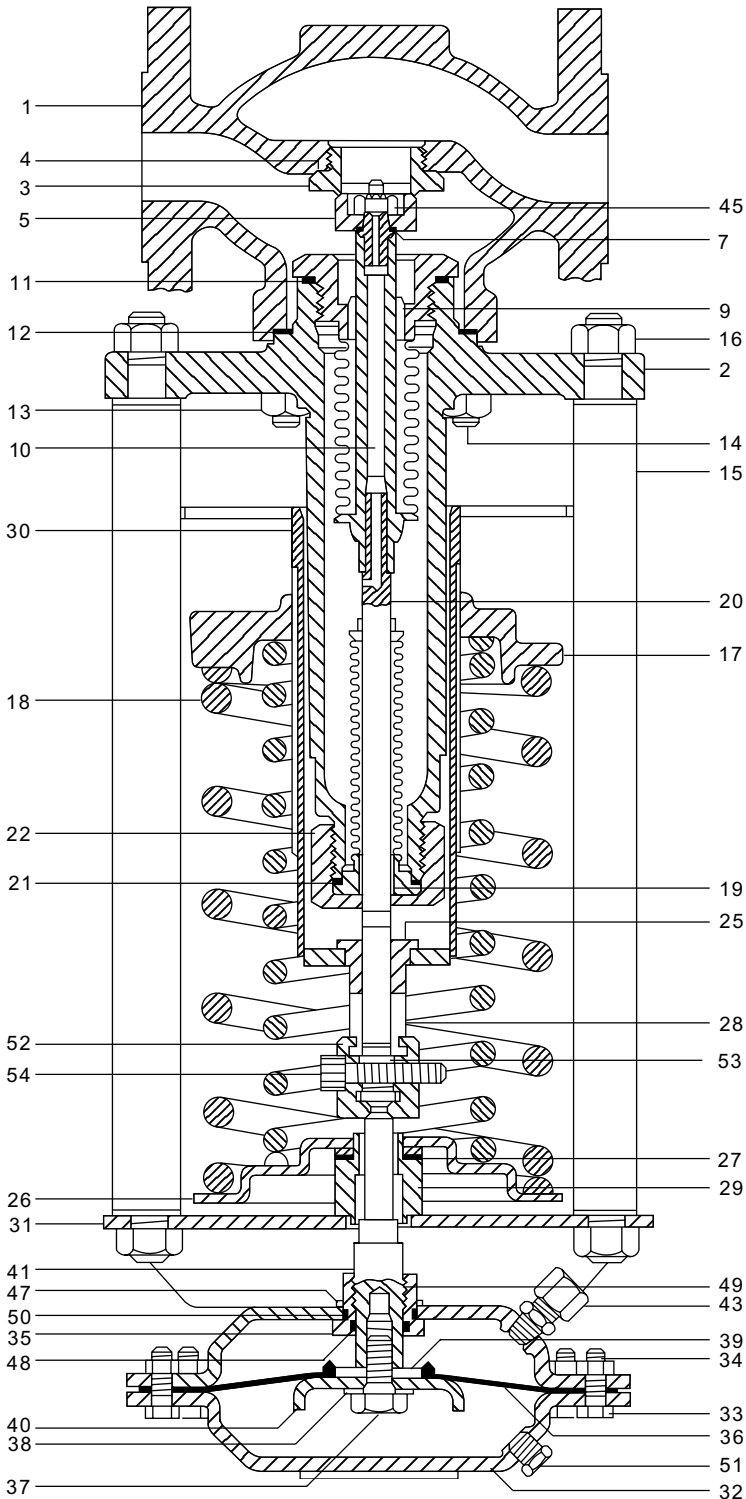




Cert. No. LRQ 0963008

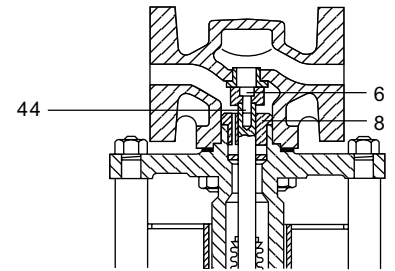
ISO 9001

DEP4 주강 1차압력 조절밸브의 구성재질

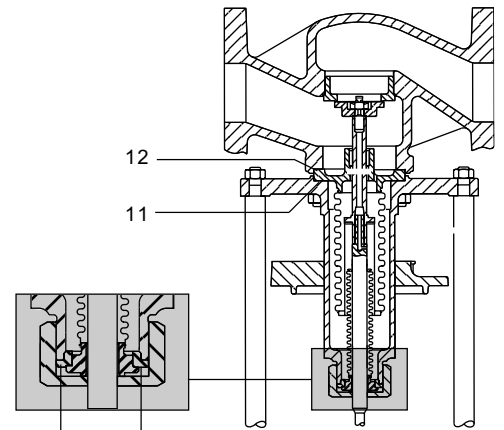


DN25 ~ DN50

(부품 42, 46은 예시되지 않음)



DN15, DN20



DN65 ~ DN100

DEP4 주강 1차압력 조절밸브의 구성재질

TI-P206-02
CH Issue 2
(KR 0112)

● 재 질

번호	부품명	재질	
1	Body	Cast steel	DIN 17245 GSC25
2	Bonnet	Cast steel	DIN 17245 GSC25
3	Valve seat	Stainless steel	BS 970 431 S29
4	Valve seat gasket	DN15	Stainless steel
		DN20, DN25	Mild steel
		DN32 ~ DN50	Reinforced exfoliated graphite
5	Valve head	Stainless steel	BS 970 431 S29
6	Valve head screw	Stainless steel	BS 6105 A2
7	Valve head seal	Arlon 1555	
8	Bush	Stainless steel	BS 970 431 S29
9	Bush (part of item 10)	Stainless steel	BS 970 431 S29
10	Balancing bellows assembly	DN25 ~ DN100	AISI 316L
11	Balancing bellows assembly gasket		Reinforced exfoliated graphite
12	Bonnet gasket		Reinforced exfoliated graphite
13	Bonnet nuts	Steel	DIN 267 Pt13 Gr. 8
14	Bonnet studs		DIN 267 Pt13 Gr. 8.8
		DN15 ~ 25 M10 x 30 mm, DN32, 40 M10 x 35 mm, DN50, 65 M12 x 35 mm, DN80, 100 M16 x 40 mm	
15	Pillars	Steel zinc plated	BS 970 230 M07
16	Pillars nuts	Steel zinc plated	BS 3692 Gr. 8
17	Spring adjuster	Cast iron zinc plated	DIN 1691 GG25
18	Spring(s)	Chrome vanadium	
19	Bearing (part of Item 20)	PTFE/Steel composite	
20	Sealing bellows assembly	Stainless steel	AISI 316L
21	Sealing bellows gasket	DN15, DN20	Stainless steel 'S' type
		DN25 ~ DN100	Reinforced exfoliated graphite
22	Clamp nut	Steel zinc plated	BS 970 230 M07
25	Lock-nut	Steel zinc plated	BS 970 230 M07
26	Spring plate	Steel zinc plated	BS 1449 Pt 1 HR14
27	Needle bearing	Steel	
28	Setting nut	Steel zinc plated	BS 970 230 M07
29	Bearing locator	Steel zinc plated	BS 970 230 M07
30	Adjuster sleeve	Steel zinc plated	
31	Mounting plate	Steel zinc plated	BS 1449 Pt 1 HR14
32	Housing	Types 11 ~ 14	Steel
		Type 15	Steel
33	Housing bolts	Types 11(N) ~ 14(N)	Steel zinc plated
		Types 13(N), 14(N), 15(N)	Steel zinc plated
34	Housing nuts	Types 11(N) ~ 14(N)	Steel zinc plated
		Types 13(N), 14(N), 15(N)	Steel zinc plated
35	Spindle guide	Stainless steel	BS 970 431 S29
36	Diaphragm	EPDM fabric reinforced or suffix 'N'	Nitrile fabric reinforced
37	Hexagon headed bolt	Stainless steel	BS 6105 A2
38	Sealing washer	Fibre	
39	Diaphragm clamp	Stainless steel	ASTM A351 CF8M
40	Piston	Carbon steel zinc plated	BS 1449 Pt 1 HR14
41	Spindle	Carbon steel zinc plated	BS 970 230 M07
42	Mounting nuts	Steel zinc plated	BS 3692 GR. 8
43	Coupling	Steel zinc plated	
44	Thread insert (part of item 20)	Stainless steel	DTD 734
45	Self-locking nut	Steel zinc plated	BS 1449 CR4
46	Washer	Type 12 only	Steel zinc plated
47	Circlip		Steel zinc plated
48	Spindle seal 'O' ring		EPDM or suffix 'N' NITRILE
49	Bearing		PTFE/Steel composite
50	Housing seal 'O' ring		EPDM or suffix 'N' NITRILE
51	Vent plug		Plastic
52	Coupling clamp		Steel zinc plated
53	Spring		Spring steel
54	Clamp screw		Steel zinc plated
55	Clamp plate	DN65 ~ DN100 only	Stainless steel
56	Gasket		Reinforced exfoliated graphite

