

## Steam-Water Washdown Unit

### Description

The Spirax Sarco Steam-Water Washdown Unit dual output design provides hot water for washdown economically by mixing steam and cold water instantly with the ability to supply two individual terminals. The unit's safe design also allows the temperature to be set with its lock nut cap locking device. The internal steam poppet design does not allow live steam to pass if water is interrupted making this unit safe for operation.

Washdown unit operates under a wide range of steam and water pressure with no changing of components.

### Range

Each Steam-Water Washdown Station comprises of a steam-water washdown unit with check valves, globe valves, dual temperature gauge (Fahrenheit and Celsius), hose rack and mounting bracket. Each unit is fully assembled, pressure tested and is supplied with installation and maintenance instructions.

### Recommended ancillaries

- Installation Kit: consist TD52 Steam Trap, (2) Strainers and miscellaneous pipefittings
- Hose
- Nozzle
- 5 liter Sanitizer Bottle Kit
- 3ft Nozzle Stainless Steel Nozzle wand \*Does not include High Flow Nozzle
- Sanitary Fittings

### Operation

While nozzle is held firmly at a wide open position, open cold water globe valve, then steam globe valve slowly to pressurize the washdown unit and begin to spray. Adjust the temperature with the temperature control hand wheel if temperature is not met with a steam globe valve in a fully open position. Once desired temperature is achieved, close-tighten lock nut on steam globe valve in a tight position.

If water pressure is interrupted, steam poppet spring will push the steam poppet back into its closed position for safe shut-down.

### Installation

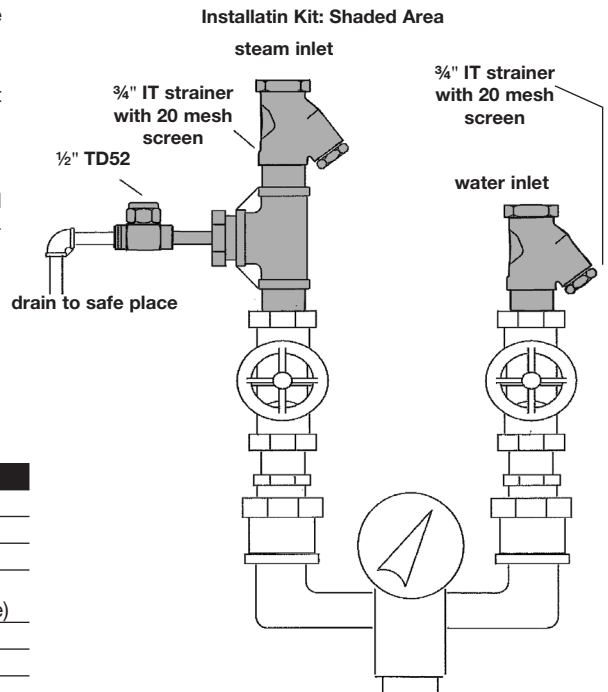
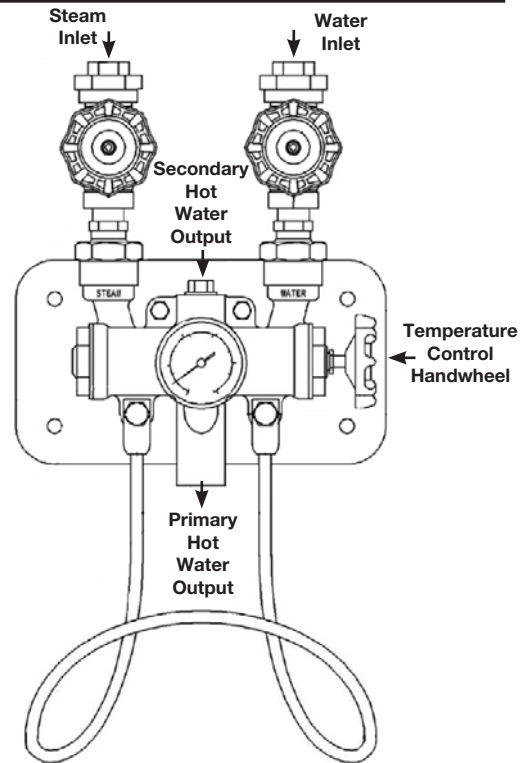
Full details are provided in the installation and maintenance instructions supplied with each system. Instructions can also be downloaded from our website. (IM-8-002-US)

### Sizes and pipe connections

Washdown Unit	3/4" NPT inlets and outlet (primary and secondary)
Hose	3/4" NPT (male) x 1/2" NPT (male)
Nozzle	1/2" NPT (female)

### Materials

Item	Bronze	Stainless Steel
Steam-Water Washdown Unit	Bronze	Stainless Steel
Globe Valves	Bronze	Stainless Steel
Check Valves	Bronze	Stainless Steel
Temperature Gauge (Dual Scale °F/°C)	Stainless Steel/ Polycarbonate (Face)	Stainless Steel/ Polycarbonate (Face)
Mounting Bracket	Epoxy Coated Aluminum	Stainless Steel
Pipe Fittings	Bronze	Stainless Steel
Hose Rack	Stainless Steel	Stainless Steel



Local regulation may restrict the use of this product below the conditions quoted. Limiting conditions refer to standard connections only. In the interests of development and improvement of the product, we reserve the right to change the specification.

# Steam-Water Washdown Unit

Technical Data	Bronze	Stainless Steel
*Steam Pressure (min)	30 psi (2.0 bar)	30 psi (2.0 bar)
*Steam Pressure (max)	150 psi (10.0 bar)	150 psi (10.0 bar)
Water Pressure (min)	30 psi (2.0 bar)	30 psi (2.0 bar)
Water Pressure (max)	150 psi (10.0 bar)	150 psi (10.0 bar)
Maximum Water Output Temperature	200F (93C)	200F (93C)
*Saturated Steam		

Note: Steam to water ratio 2:1

## Temperature Rise vs. GPM (for reference only)

Input		Output	
*Steam	Water	Temperature Rise	GPM
100 psig (6.9 bar)	60 psig (4.1 bar)	55°F (12°C)	14.0
100 psig (6.9 bar)	60 psig (4.1 bar)	100° F (37°C)	9.0
100 psig (6.9 bar)	60 psig (4.1 bar)	134° F (57°C)	7.8

\*Saturated Steam Only

## Nozzles



The standard flow nozzles we offer are durable with variable spray patterns, adjustable from fan spray to solid stream. Standard nozzles are aluminum material. Aluminum and brass nozzle material is available upon request. Cover colors available in Blue, Red and White.

## Optional Nozzles

Temperature indicating nozzles are also available. Nozzle provides accurate water temperature reading at the nozzle output.

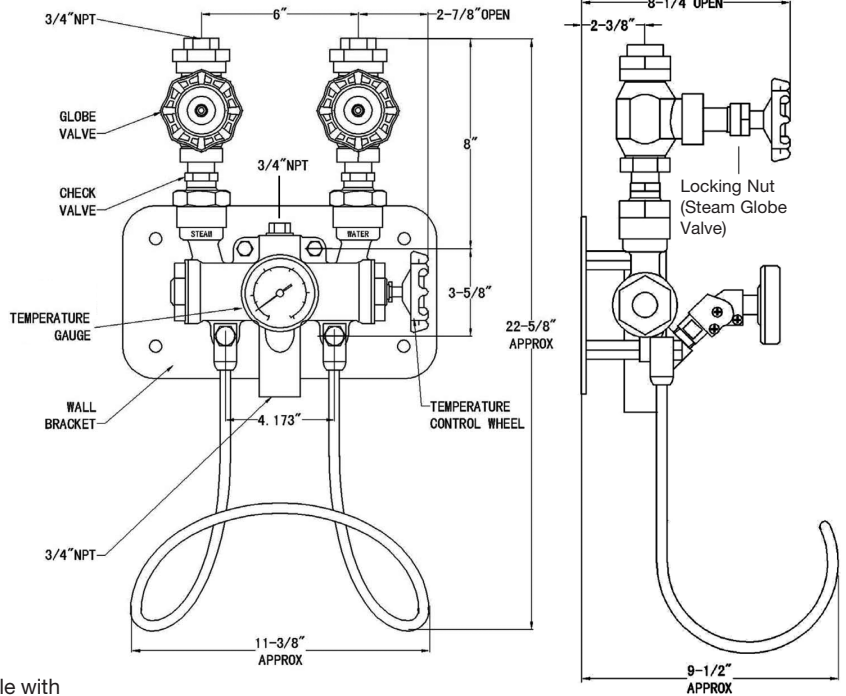
Rating: 150 psi / 200°F (93°C)

**NOTE:** Not for use with steam

## Hoses

All hoses are flexible, lightweight, durable and safe. Standard hoses from Spirax Sarco come with 360° ball type swivel adapter (SS or Bronze) for our nozzles to prevent hose kinking and ease of use.

Lengths available in 25', 50', 75', and 100'. Colors available in white, black, yellow and red.



## Weight

Bronze	Stainless Steel
20lbs	20lbs



Inner Diameter	Max Pressure	Cover Color	Cover Material	Tube Material	Reinforcement
3/4"	250 PSI (17.2 bar)	White	Smooth EPDM	EPDM	4 Polyester Yarn Spirals
3/4"	250 PSI (17.2 bar)	Black	Smooth EPDM	EPDM	4 Polyester Yarn Spirals
3/4"	300 PSI (20.6 bar)	Red	Smooth Nitrile	Nitrile	2 Polyester Yarn Spirals
3/4"	400 PSI (27.5 bar)	Yellow	Smooth Nitrile	Nitrile	2 Polyester Yarn Spirals