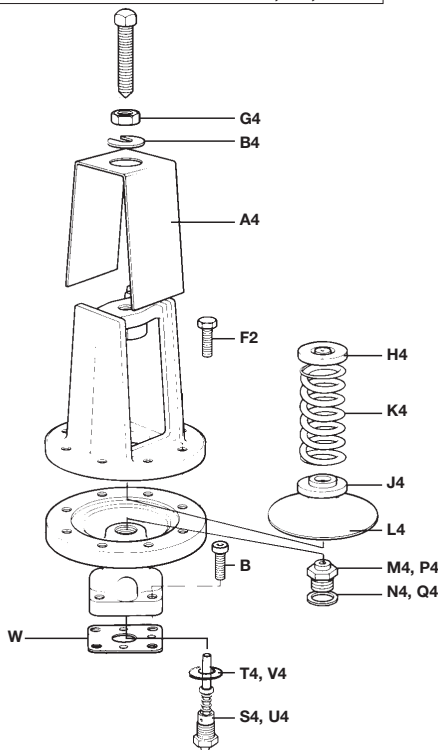


spirax sarco

25 Series Spare Parts Guide 1/2" to 6" Pilots

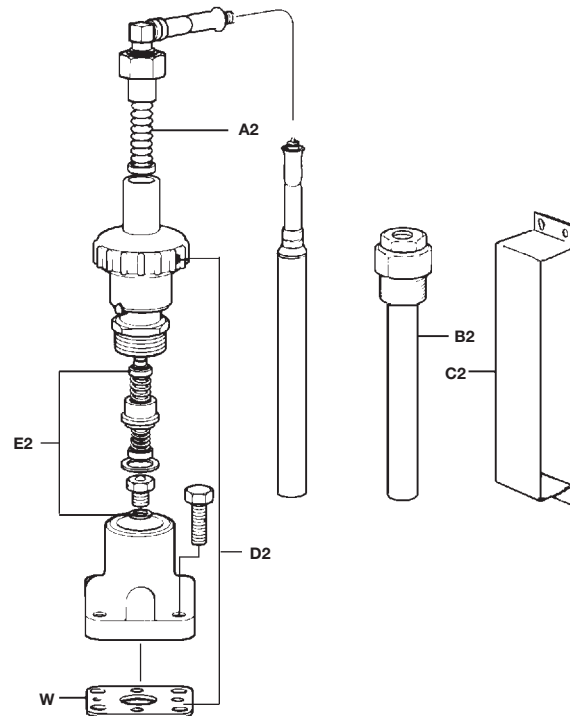
Spare Parts – Pressure Pilot, P & BP

Cover Plate w/ Retaining Ring	A4, B4
Pilot Screws w/ Gasket	B, W
Adjustment Screw w/ Nut, and Upper and Lower Spring Support Discs	G4, H4 J4
Adjustment Spring	K4
Specify controlled pressure and spring color	
Yellow	3 to 30 psi
Blue	20 to 100 psi
Red	80 to 250 psi
Diaphragm (2)	L4
Stem Guide w/ Gasket (25P, 25PA)	M4, N4
Stem Guide and Seal Gasket (25BP)	P4, Q4
Head & Seat Assembly w/ Gasket (25P, 25PA & 25MP)	S4, T4
Head & Seat Assembly (25BP)	U4, V4
Square Gasket for all Pilots (set of 3)	W
Pilot Kit	L4, M4, N4, S4, T4, W



Spare Parts – Temperature Pilot see TI-1-1123-US

Thermal System (T1, T2, T3, T10, T11)	A2
State bulb style, capillary tube length & temperature range	
Well (T5, T6, T7, T8, T4)	B2
State bulb style	
Wall Mounting Bracket (T9)	
State bulb style	C2
Complete Pilot Body Assembly	D2, W
Head & Seat Assembly	E2, W
(Specify 15 psig or below Assembly or Standard)	



Local regulation may restrict the use of this product below the conditions quoted. Limiting conditions refer to standard connections only.
In the interests of development and improvement of the product, we reserve the right to change the specification.

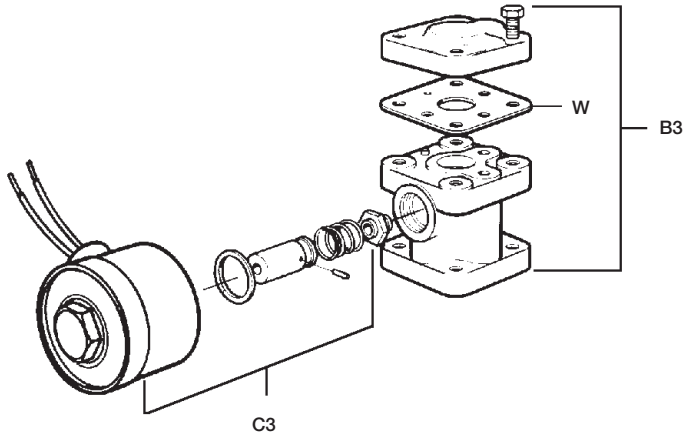
TI-3-0271-US 3.14

25 Series Spare Parts Guide

1/2" to 6" Pilots

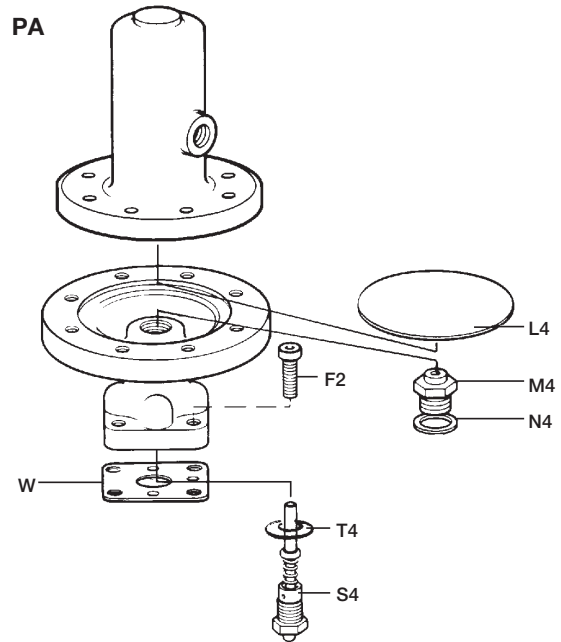
Spare Parts – Electric Pilot

NEMA 4 & 7 Solenoid	C3
specify voltage and steam pressure	
Complete "E" Pilot Body Assembly	B3, W

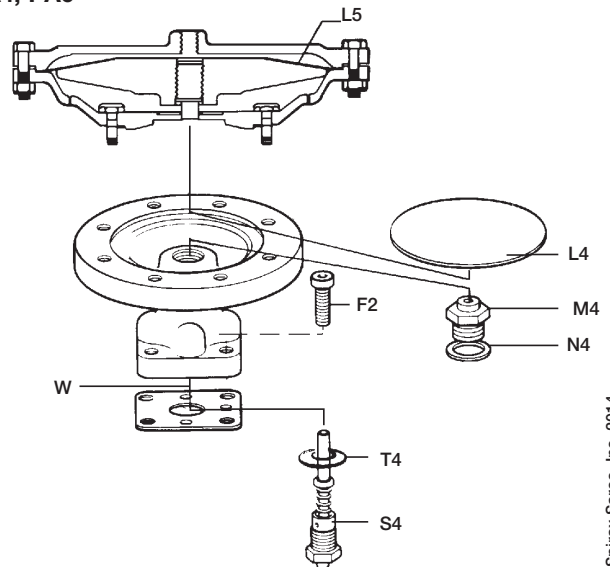


Spare Parts – PA (air loaded) Pilot

Pilot Mounting Screws	F2
Lower Diaphragm (2)	L4
Upper Diaphragm for PA4	L5
Upper Diaphragm for PA6	L5
Stem Guide w/ Gasket	M4, N4
Head & Seat Assembly w/ Gasket	S4, T4
Square Gasket for all Pilots	W



PA4, PA6



How to Order

Always order spares by using the description given in the first column under Spare Parts, stating the valve size and material. When ordering temperature pilots, specify the bulb style, capillary length and temperature range. When ordering electric pilots, specify electrical characteristics, pressures and size of main valve.

Example: 1 – Thermal System style T1 for 2" Spirax Sarco 25PT Pressure Temperature control with 8-ft capillary tubing and temperature range 120°F to 180°F.

1 – NEMA 4 Solenoid for 1½" Spirax Sarco 25PE Reducing Valve with 115 volt, 60 Hz AC coil steam pressure 200 psi.

Maintenance

See installation and maintenance instructions supplied with each valve, copies are available on request.