

EL2600 Pressure Transmitter and 'U' Syphons

Description

The EL2600 is a combined pressure sensor and transmitter which is designed for general and industrial use. It has a 2-wire 4-20 mA current loop, and a 1/4" NPT process connection. Two syphon tube and valve assemblies are available, one with a maximum design pressure of 362 psig, and one with a maximum design pressure of 1160 psig.

Available ranges

Calibrated pressure range	Overpressure P max (psig)
0-14.5 psig	72
0-23.2 psig	145
0-36 psig	145
0-58 psig	246
0-87 psig	507
0-145 psig	507
0-232 psig	1160
0-362 psig	1160
0-580 psig	1740
0-870 psig	2900
0-1450 psig*	4640
0-2320 psig*	7250
0-3626 psig*	11600

Note: High pressure 'spikes' above maximum overpressure, even of very short (milli-seconds) duration, could damage sensors. If pressure peaks are likely to occur in your application, we recommend the use of a pressure snubber. Alternatively, a higher range pressure transmitter could be used, though this would mean some loss of signal resolution.

Process connection

For fluids below 212°F the EL2600 may be mounted directly via its 1/4" NPT connection.

Above 212°F, a 'U' syphon and isolating valve must be fitted between the EL2600 and the vessel or pipeline.

*No 'U' syphon is available for these ranges, therefore maximum operating temperature is limited to 212°F

Limiting conditions

Pressure/temperature limits EL2600

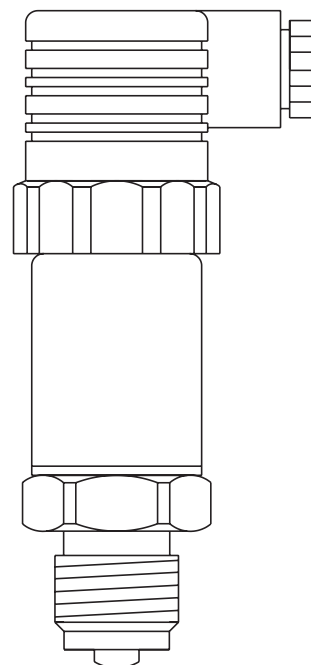
Minimum operating temperature	-22°F (medium)
	-4°F -20°C (ambient)
Maximum operating temperature	212°F (medium)
(without syphon tube)	176°F 80°C (ambient)

Low pressure syphon tube/valve

Maximum design pressure	362 psig
Maximum design temperature	500°F
Maximum working conditions	304 psig @ 422°F

High pressure syphon tube

Maximum design pressure	1160 psig
Maximum design temperature	842°F
Maximum working conditions	870 psig @ 842°F



Technical data

Sensor type	0-23 psig to 0-230 psig	Piezoresistive
	0-580 psig to 0-5800 psig	Thin film
Supply voltage		10 Vdc to 30 Vdc
Accuracy		≤ 0.5%
Repeatability		≤ 0.05 of span
Hysteresis		≤ 0.1% of span
Protection rating		IP65

Approvals

EMC emissions	BS EN 61326: 1997 A1 and A2 Table 4
EMC susceptibility	BS EN 61326: 1997 A1 and A2 Table 4 ANNEX A

Materials

EL2600

Part	Material
Body	Stainless steel 316L WS 1.4435
Connector	Moulded plastic Polyamide PA 66

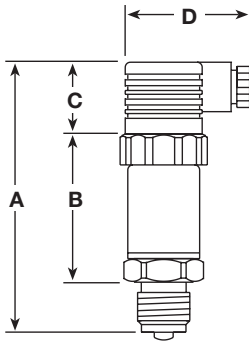
Low pressure syphon tube assembly (Valve ordered separately)

Part	Material
Tube	Carbon steel ASTM A 106 Gr. B. Phosphated
Valve	Body Brass
	Handle Phenolic

High pressure syphon tube assembly

Part	Material
Tube	Carbon steel BS3602: Part.1 1987 CFS 360 (zinc plated/passivated).
Valve	Body Carbon steel
	Seat PEEK/Polymain

EL2600



Dimensions/weights (approximate) inches and pounds

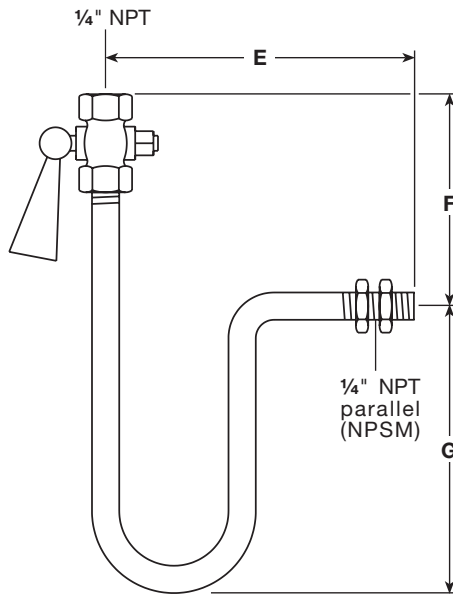
EL2600

A	B	C	D	Weight
4.1	2.25	1.1	1.9	0.44

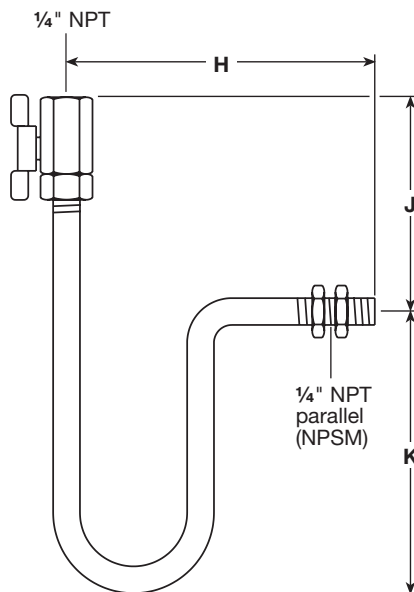
'U' Syphon and isolating valve

E	F	G	H	J	K	Weight
6.3	2	6	63	2.4	6	1.1

Low pressure 'U' syphon



High pressure 'U' syphon



Safety information, installation and maintenance

This document does not contain sufficient information to install the product safely. See the Installation and Maintenance Instructions supplied with the product.

Safety note:

You attention is drawn to Safety Information Leaflet IM-GCM-10.

Installation note:

It is essential to use a 'U' syphon and valve for temperatures above 100°C to avoid damage to the unit.

Maintenance note:

No specific maintenance is required, but we recommend inspection and re-calibration of the transmitter once a year.

How to order

Example: 1 - Spirax Sarco EL2600 pressure transmitter, range 0 - 232 psig, with low pressure 'U' syphon and isolating valve.