

Valves for Cryogenic Service

Type 09340 - Gate Valve

HEROSE



Cryogenic-Gate Valves, PN50

Stainless steel body and topwork,
one way tightening (in flow direction),
"live loaded" gland packing
"cleaned and degreased for oxygen service"

Part No. 09340.X.002*

*Butt weld connection for stainless steel pipes acc. to DIN EN ISO 1127 or ASTM A312

Part No. 09340.X.0024

Socket weld connection for stainless steel pipes acc. to DIN EN ISO 1127 and ASTM A312

Available options - on request only:

· other connections are in preparation



Applications:

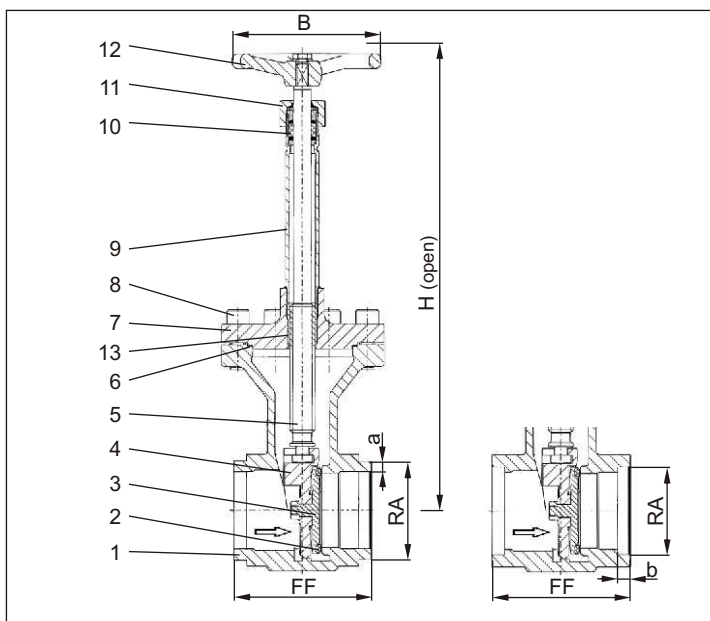
Approved for air gases and cryogenic liquefied gases such as oxygen, nitrogen, krypton, carbon dioxide, argon, dinitrogen monoxide, trifluormethan, carbon oxide, methane, ethane and ethylene.
Working temperature: -196°C / -321°F (77K) up to +120°C / +248°F (393K)

Materials	DIN EN	ASTM
1 Body	1.4308	A 351 CF8
2 Valve seal	PTFE / Carbon filled (25%)	
3 Disc	CW452K	B 103 UNS C51900
4 Wedge	1.4308	A 351 CF8
5 Stem	1.4301	A 276 Grade 304
6 Bonnet gasket	PTFE	
7 Headpiece	1.4308	A 351 CF8
8 Bolts	1.4301/A2	A 194 B8
9 Elongation tube	1.4541	A 213 TP 321
10 Gland packing	Graphite / PTFE	
11 Gland nut	1.4305	A 276 Grade 303
12 Handwheel	Aluminium alloy	
13 Bush	CW452K	B 103 UNS C51900

Standard marking acc. to Pressure Equipment Directive 97/23/EG (PED).



Marking acc. to Directive 99/36/EG (TPED) will only be carried out by written notice on purchase order.



Type 09340	Technical data					
Nominal size	DN	25	40	50	65	80
Dimension code	.X.	-	4048	5060	657x	8088
Face-to-face dimension	FF	-	133	110	110	100
Height	H	-	360	420	440	460
Outside pipe-Ø EN ISO 1127	RA	-	48.3	60.3	76.1	88.9
Wall thickness pipe EN ISO 1127	a	-	2.0	2.0	2.6	3.2
Outside pipe-Ø ASTM A312	RA	-	48.26	60.33	73.03	88.90
Wall thickness pipe ASTM A312	a	-	S10	S10	S10	S10
Socket depth	b	-	13	16	16	16
Handwheel-Ø	B	-	125	150	150	150
Weight	ca. kg	-	-	-	4.85	-
Kvs – Value	m ³ /h	-	t.b.c.	t.b.c.	t.b.c.	t.b.c.
Cv – Value	gal /min	-	t.b.c.	t.b.c.	t.b.c.	t.b.c.

Dimensions in mm.

Valves for Cryogenic Service

Type 09343 - Actuated Gate Valve



Cryogenic-Gate Valves with Pneumatic Actuator, PN50

air pressure for operation 6.0 bar ü (maximal 10.0 bar ü),
 Stainless steel body and topwork,
 Actuator - air opens, spring closes
 one way tightening (in flow direction),
 "live loaded" gland packing
 "cleaned and degreased for oxygen service" - the actuator is not cleaned and degreased for oxygen

Part No. 09343.X.T02*

*Butt weld connection for stainless steel pipes acc. to DIN EN ISO 1127 or ASTM A312

Part No. 09343.X.T024

Socket weld connection for stainless steel pipes acc. to DIN EN ISO 1127 and ASTM A312

Available options - on request only:

· other connections are in preparation



Applications:

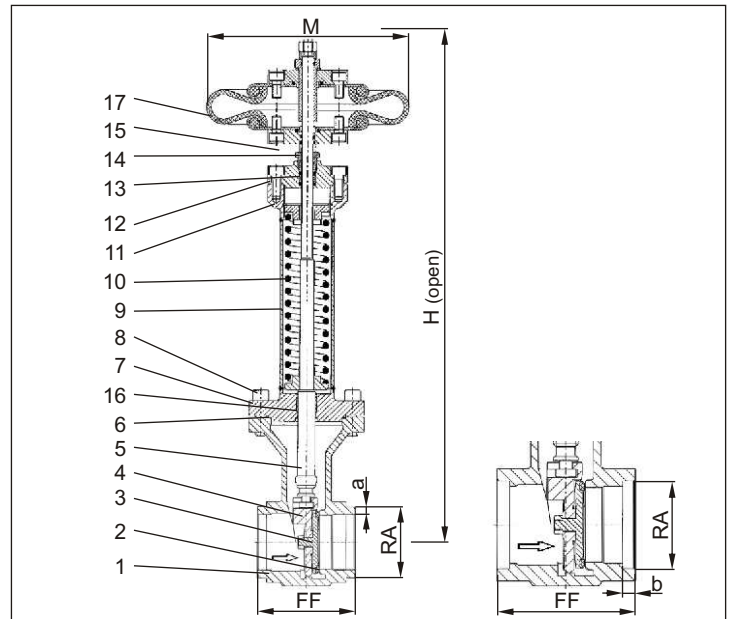
Approved for air gases and cryogenic liquefied gases such as oxygen, nitrogen, krypton, carbon dioxide, argon, dinitrogen monoxide, trifluormethan, carbon oxide, methane, ethane and ethylene.
 Working temperature: -196°C / -321°F (77K) up to +120°C / +248°F (393K)

Materials	DIN EN	ASTM
1 Body	1.4308	A 351 CF8
2 Valve seal	PTFE / Carbon filled (25%)	
3 Disc	CW452K	B 103 UNS C51900
4 Wedge	1.4308	A 351 CF8
5 Stem	1.4301	A 276 Grade 304
6 Bonnet gasket	PTFE	
7 Headpiece	1.4308	A 351 CF8
8 Bolts	1.4301/A2	A 194 B8
9 Elongation tube	1.4541	A 213 TP 321
10 Spring	1.4571	A 276 Grade 316Ti
11 Flange	1.4301	A 276 Grade 304
12 Headpiece	1.4301	A 276 Grade 304
13 Gland packing	Graphite / PTFE	
14 Gland nut	1.4305	A 276 Grade 303
15 Pillars	1.4301	A 276 Grade 304
16 Bush	CW452K	B 103 UNS C51900
17 Actuator	Rubber	

Standard marking acc. to Pressure Equipment Directive 97/23/EG (PED).



Marking acc. to Directive 99/36/EG (TPED) will only be carried out by written notice on purchase order.



Type 09343	Technical data					
Nominal size	DN	25	40	50	65	80
Dimension code	.X.	-	4048	5060	657x	8088
Face-to-face dimension	FF	-	133	110	110	100
Height	H	-	580	600	635	650
Outside pipe-Ø EN ISO 1127	RA	-	48.3	60.3	76.1	88.9
Wall thickness pipe EN ISO 1127	a	-	2.0	2.0	2.6	3.2
Outside pipe -Ø ASTM A312	RA	-	48.26	60.33	73.03	88.90
Wall thickness pipe ASTM A312	a	-	S10	S10	S10	S10
Socket depth	b	-	13	16	16	16
Actuator-Ø	M	-	229	229	229	229
Weight	ca. kg	-	10.0	-	16.5	-
Kvs - Value	m ³ /h	-	t.b.c.	t.b.c.	t.b.c.	t.b.c.
Cv - Value	gal /min	-	t.b.c.	t.b.c.	t.b.c.	t.b.c.

Dimensions in mm.

Edition 06-2008