



Cert. No. LRQ 0963008

ISO 9001

# spirax sarco

TI-P149-01  
ST Issue 7

## AE14 SG Iron

### Automatic Air Vents for Liquid Systems

#### Description

The AE14 is part of a range of float type air vents for liquid systems. The body and cover are of SG iron and the complete unit is readily maintainable. The standard version with a Viton valve head is designated AE14. These air vents are also available with an inbuilt stop valve fitted to the inlet port designated AE14SV and AE14ESV.

#### Available types

**AE14** Fitted with a Viton valve head (standard version).

**AE14E** Fitted with an EPDM valve head.

**AE14S** Fitted with a stainless steel valve head.

**AE14SV** Fitted with a Viton valve head and stop valve.

**AE14ESV** Fitted with EPDM valve head and stop valve.

#### Standards

These products fully comply with the requirements of the European Pressure Equipment Directive 97/23/EC and carry the **CE** mark when so required.

#### Certification

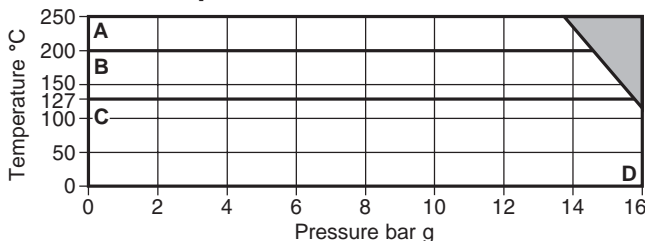
The product is available with material certification to EN 10204 2.2.

**Note:** All certification/inspection requirements must be stated at the time of order placement.

#### Sizes and pipe connections

1/2" and 3/4" screwed BSP or NPT.

#### Pressure/temperature limits



The product **must not** be used in this region.

**A - D** AE14S  
**B - D** AE14 and AE14SV  
**C - D** AE14E and AE14ESV

Body design conditions PN16

PMA Maximum allowable pressure 16 bar g @ 110°C

TMA Maximum allowable temperature 250°C @ 13.6 bar g

Minimum allowable temperature 0°C

PMO Maximum operating pressure 16 bar g

TMO Maximum operating temperature **AE14E and AE14ESV** 127°C @ 15.5 bar g

**AE14 and AE14SV** 200°C @ 14.5 bar g

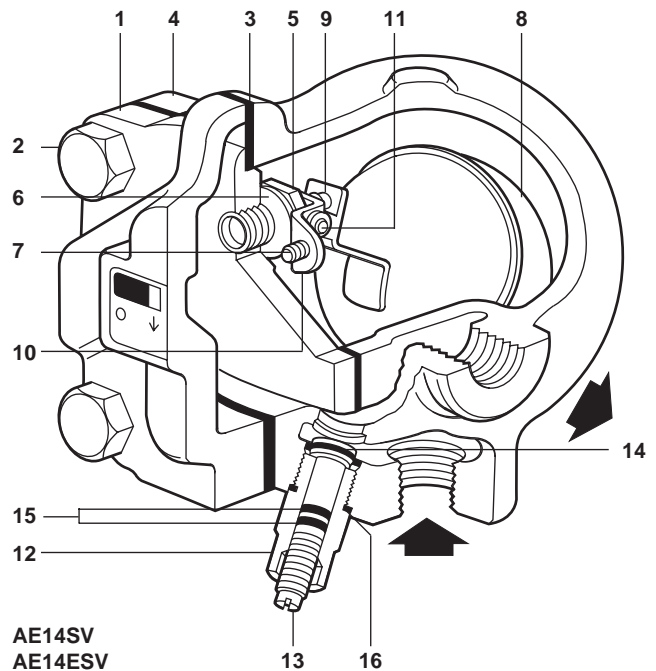
**AE14S** 250°C @ 13.6 bar g

Minimum operating temperature 0°C

ΔPMX Maximum differential pressure 14 bar

Designed for a maximum cold hydraulic test pressure of 24 bar g

Minimum specific gravity of liquid 0.6



AE14SV  
AE14ESV

#### Materials

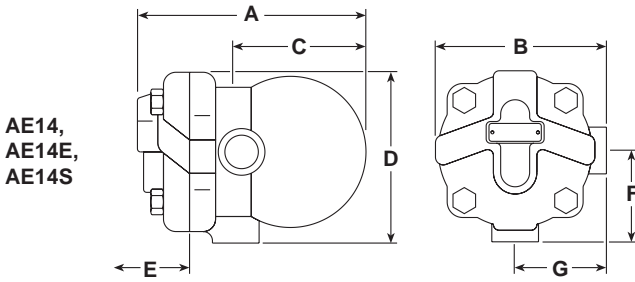
No.	Part	Material
1	Body	SG iron DIN 1693 GGG 40
2	Cover bolt	Steel BS 3692 Gr. 8.8
3	Cover gasket	Reinforced exfoliated graphite
4	Cover	SG iron DIN 1693 GGG 40
5	Main valve seat	Stainless steel BS 970 431 S29
6	Main valve seat gasket	Stainless steel BS 1449 304 S11
7	Main valve assembly screws	Stainless steel BS 6105 CI A2-70
8	Ball float and lever	Stainless steel BS 1449 304 S16
9	Valve head	AE14, AE14SV Viton
		AE14E, AE14ESV EPDM WRc 9205519
		AE14S Stainless steel AISI 440B
10	Pivot frame	Stainless steel BS 1449 304 S16
11	Pivot pin	Stainless steel
* 12	Stop valve housing	Brass BS 2874 CZ 121 3Pb
* 13	Stop valve spindle	Brass BS 2874 CZ 121 3Pb
* 14	Stop valve head	Brass BS 2874 CZ 121 3Pb
* 15	'O' rings	Synthetic rubber Fluorocarbon
* 16	Stop valve gasket	Copper BS 2870 C 101

\* **Note:** Parts 12 to 16 are used for AE14ESV and AE14SV only.

## Dimensions/weights (approximate) in mm and kg

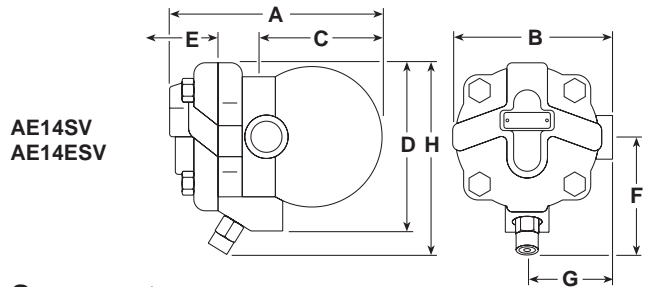
### AE14, AE14E, AE14S

Size	A	B	C	D	E	F	G	Weight
1/2"	147	114	80	114	105	60	60	2.5
3/4"	147	114	80	114	105	60	60	2.5

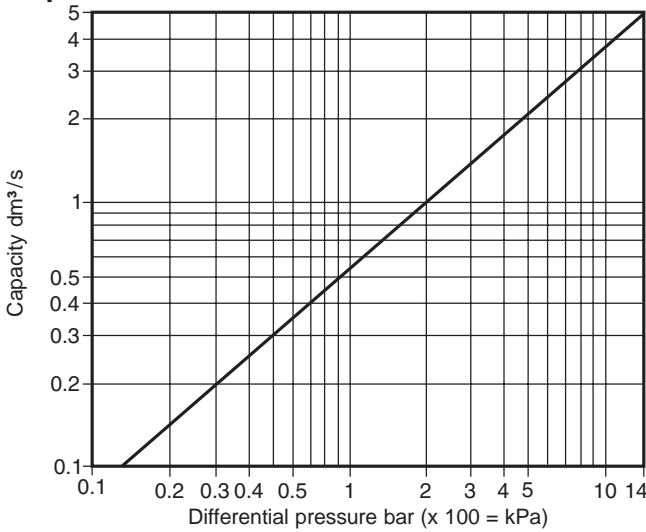


### AE14ESV, AE14SV

Size	A	B	C	D	E	F	G	H	Weight
1/2"	148	114	65	129	105	76	60	147	2.7
3/4"	148	114	65	129	105	76	60	147	2.7



## Capacities



## Safety information, installation and maintenance

For full details see the Installation and Maintenance Instructions (IM-P149-06) supplied with the product.

### Disposal

This product is recyclable. No ecological hazard is anticipated with the disposal of this product providing due care is taken.

### How to order

**Example:** 1 off Spirax Sarco 1/2" screwed BSP AE14 automatic air vent with SG iron body and Viton valve head.

## Spare parts

The spare parts available are shown in heavy outline. Parts drawn in broken line are not supplied as spares.

### Available spares

Maintenance kit **3, 5, 6, 7** (2 off), **8, 9, 10, 11, 14, 15** (2 off), **16**  
**Note:** Item 9 is attached to item 8 when supplied for the AE14S.

Seal kit **3, 6, 14, 15** (2 off), **16**

Valve head (not available for the AE14S) packet of 3 **9**

**Note:** 1 off EPDM and Viton valve head is supplied to fit as required.

### How to order spares

Always order spares by using the description given in the column headed 'Available spares' and state the size and type of automatic air vent.

**Example:** 1 - Maintenance kit for a Spirax Sarco 1/2" AE14ESV automatic air vent.

### Recommended tightening torques

Item	Part	or mm	N m
* 2	Cover bolts	17 A/F M10 x 30	47 - 50
5	Main valve seat	17 A/F	50 - 55
7	Main valve assembly screws	Pozidrive M4 x 6	2.5 - 3.0
* 12	Stop valve housing	21 A/F	30 - 35

\* **Note:** Items 2 and 19 are not available as spares.

