

spirax sarco

TI-P068-18
 ST Issue 4

TD52M, TD52MLC, TD52MA and TD52MLCA Thermodynamic Steam Traps

Description

The **TD52M** is a maintainable thermodynamic steam trap manufactured in stainless steel specifically designed for relatively small condensate loads, such as steam mains drainage. For very low condensate loads, a low capacity version is available. This version is designated by the letters LC e.g.: **TD52MLC**. For those applications where the release of air is a concern an anti-air-binding disc is available. This version is designated by the letter A, e.g.: **TD52MA** and **TD52MLCA**.

Optional extra

An **insulating cover** is available to prevent the trap being unduly influenced by excessive heat loss such as when subjected to low outside temperatures, wind, rain etc. **Not available for the 1" size.**

Standards

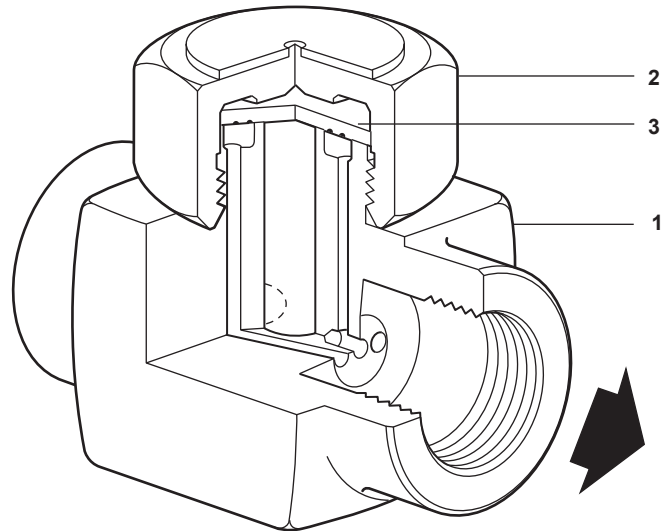
These products fully comply with the requirements of the European Pressure Equipment Directive 97/23/EC.

Certification

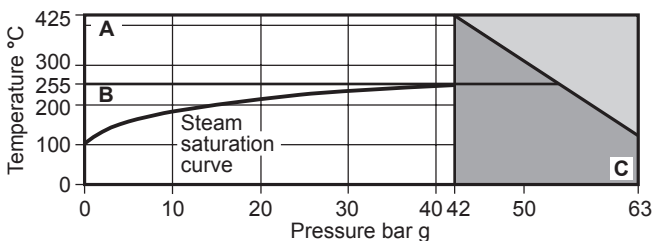
These products are available with certification to EN 10204 3.1. **Note:** All certification/inspection requirements must be stated at the time of order placement.

Sizes and pipe connections

Screwed BSP	TD52M and TD52MA	1/4" 3/8", 1/2", 3/4" and 1"
or NPT	TD52MLC and TD52MLCA	1/2"



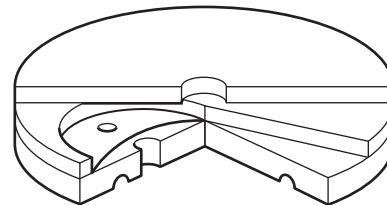
Pressure/temperature limits



- The product **must not** be used in this region.
- For optimum product performance the PMO should not exceed 42 bar g.

- A - C** TD52M and TD52MLC
- B - C** TD52MA and TD52MLCA

Body design conditions		PN63
PMA	Maximum allowable pressure	63 bar g @ 120°C
TMA	Maximum allowable temperature	425°C @ 42 bar g
Minimum allowable temperature		0°C
PMO	Maximum operating pressure for saturated steam service	42 bar g
TMO	Maximum operating temperature	TD52M and MLC 425°C @ 42 bar g
		TD52MA and MLCA 255°C @ 42 bar g
Minimum operating temperature		0°C
PMOB	Maximum operating backpressure must not exceed 80% of the upstream pressure.	
Minimum operating differential pressure for satisfactory operation	TD52M and MLC	0.25 bar
	TD52MA and MLCA	0.8 bar
Designed for a maximum cold hydraulic test pressure of 95 bar g		



Anti-air-binding disc

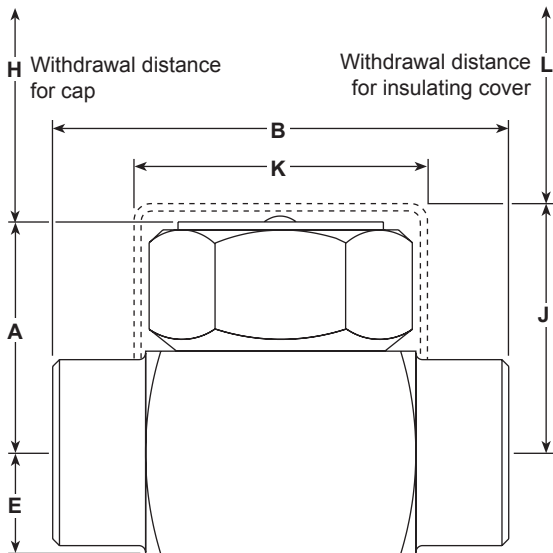
Materials

No.	Part	Material	
1	Body	Stainless steel	AISI 420 F
2	Cap	Stainless steel	AISI 416
3	Disc	Stainless steel	BS 1449 420 S45
4	Insulating cover (optional extra)	Aluminium	BS 1470 SIC M

First for Steam Solutions

Dimensions/weights (approximate) in mm and kg

Size	A	B	E	H	J	K	L	Weight
1/4"	37	54	13	41	53	57	38	0.45
3/8"	37	54	13	41	53	57	38	0.43
1/2" LC	38	65	15	41	55	57	38	0.47
1/2"	39	70	15	41	55	57	38	0.60
3/4"	43	80	20	41	59	57	38	0.90
1"	51	89	23	41	-	-	-	1.40



Available spares

The spare parts available are shown in solid outline. Parts drawn in broken line are not supplied as spares.

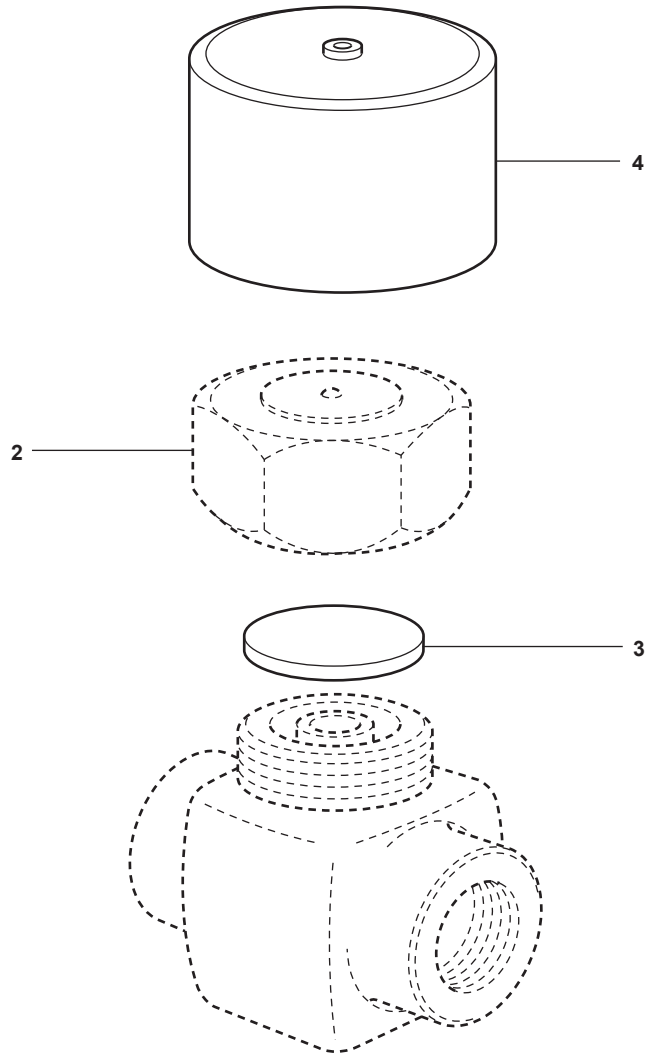
Available spares

Disc	(packet of 3)	3
Insulating cover	(Not 1" size)	4

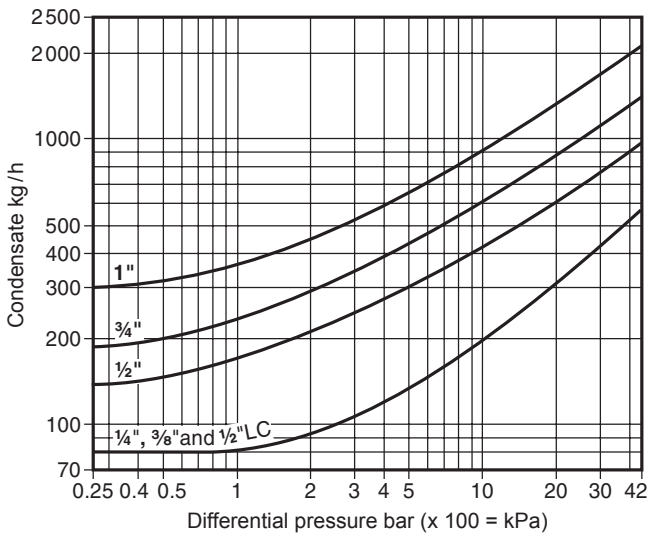
How to order spares

Always order spares by using the description given in the column headed 'Available spares' and state the size and type of trap.

Example: 1 - Packet of 3 discs for a Spirax Sarco 1/2" TD52MLC thermodynamic steam trap.



Capacities



Safety information, installation and maintenance

For full details see the Installation and Maintenance Instructions (IM-P068-31) supplied with the product.

Installation note:



Preferably fitted in a horizontal pipe but can be fitted in other positions.

How to order

Example: 1 off Spirax Sarco 1/2" TD52MLC thermodynamic steam trap having screwed BSP connections.

Note: Where required the unit can be fitted with a special anti-air-binding disc but must be specified when placing an order e.g. TDM52MLCA.

Recommended tightening torques

Item	Part	 or  mm	N m
2	1/4"	36 A/F	180 - 200
	3/8"	36 A/F	180 - 200
	1/2"	36 A/F	180 - 200
	3/4"	41 A/F	180 - 200
	1"	55 A/F	250 - 275