



Cert. No. LRQ 0963008

ISO 9001

LC2500 Level Controller

- On/off controller with adjustable level settings
- Control levels may be altered without de-commissioning boiler
- Two channels for pump control and/or alarm
- Capacitance probe or 4 - 20 mA input

Description

The LC2500 is a two channel, dual voltage level controller with adjustable switching levels, and is normally used in conjunction with a capacitance type level probe.

Either of the channels, (designated A and B), can be set to provide a high or low alarm, and channel B can also provide an adjustable pump on/off control.

Alternatively, the controller can power and accept a 4 - 20 mA signal from a pressure or differential pressure transmitter.

Several controllers may be linked to provide additional alarms.

The LC2500 has an 'out of range' alarm, which operates if the probe or wiring is damaged, or has been incorrectly wired, enabling prompt action to be taken to rectify any potentially dangerous situation.

The controller has a wave filter function which acts as a damper, preventing over-frequent relay operation in turbulent conditions.

Voltage and functions are set on installation using internal switches, and control and alarm levels are adjusted using potentiometers on the front panel.

Configuration labels are provided for the controller front panel and enclosure chassis plate, and indicate the mode selected.

This product complies with the requirements of the Electromagnetic Compatibility Directive 89/336/EEC by meeting the standards of:

- Emissions EN 61326: 1997 A1 and A2 Class B equipment Table 4.
- Immunity EN 61326: 1997 A1 and A2 Class A equipment Table 1.

Applications

The LC2500 controller can provide the following functions, which are selected by an 8-way switch on the printed circuit board.

High and low alarm	Pumping in/low alarm
Two low alarms	Pumping out/low alarm
Two high alarms	Pumping in/high alarm
	Pumping out/high alarm

Materials

Enclosure base and connector	NORYL SE1 GFN 2
Enclosure cove and intermediate plate	R - ABS 90.00

Limiting conditions

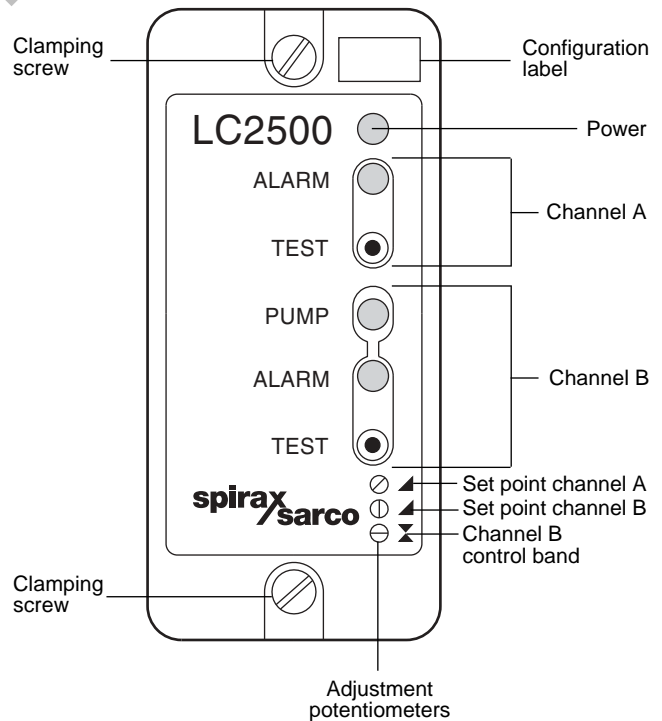
Enclosure protection rating	IP40
Maximum ambient temperature	55°C
Maximum cable length (controller to probe)	100 m

Technical data

The supply voltage is selected during installation

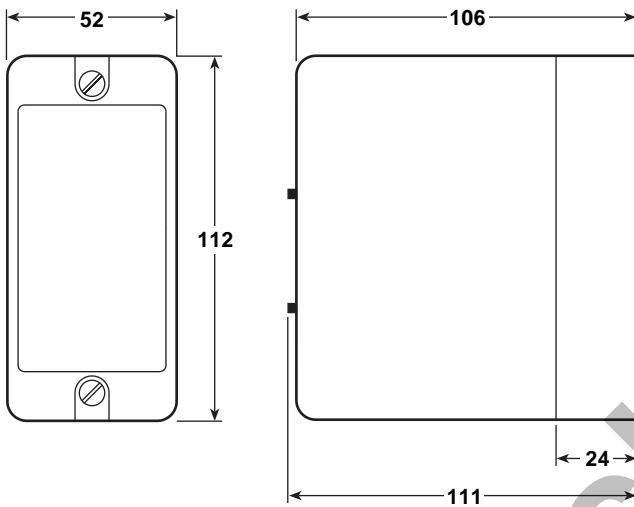
Mains supply voltage	230 V setting	198 V - 264V
	115 V setting	99 V - 132 V
Frequency	50 - 60 Hz	
Fuse type	20 mm cartridge, 100 mA anti-surge (T)	
Maximum power consumption	6 VA	

Caution: Relays must be protected by an external 3 A quick-blow fuse.



Dimensions/weight (approximate) in millimetres and g

Weight 500



Safety information, installation and maintenance

This document does not contain sufficient information to install the product safely. See the Installation and Maintenance Instructions supplied with the product, which give full wiring, commissioning and operating instructions.

Warning:

Isolate the mains supply before unplugging the controller as live terminals at mains voltage will be exposed in the controller base.

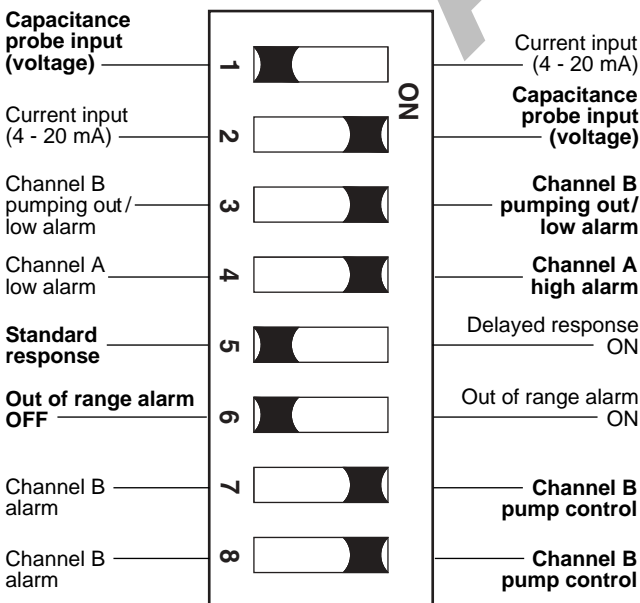
Installation note:

The controller must be installed in an enclosure or control panel to provide environmental and impact protection.

Spirax Sarco can supply suitable enclosures. The controller may be mounted on a 'top hat' DIN rail using the mounting clip provided or the clip may be removed and the controller base screwed direct to a chassis plate.

Switch selectable options

The LC2500 is supplied with the switches set as indicated on the diagram in bold type:



How to specify

Two channel level controller with adjustable switching levels, wave filter and out of range alarm.

How to order

Example: 1 off Spirax Sarco LC2500 level controller.