

spirax sarco

LP30

TI-P402-43
 AB Issue 10

High Integrity, Self-monitoring Low Level Alarm Probe

Description

The Spirax Sarco LP30 level probe is used with a Spirax Sarco LC3050 level controller to provide a high integrity, self-monitoring low level alarm signal, usually in a steam boiler. It consists of a probe body with a removable cable socket, and a separate screw-on probe tip which is retained by a lock-nut and pin. The probe has a level sensing tip (probe tip), and a comparator tip. The earth return path is via the body connection. Under normal operating conditions the probe tip is partially immersed, and the resistance to earth is low. When the water level drops below the probe tip the resistance to earth becomes high, causing the controller to give a low level alarm signal. The comparator tip compensates for any leakage to earth caused by scale, dirt, or internal moisture, ensuring a low water alarm signal even under adverse conditions.

Principal features:

- High integrity, self-monitoring low level alarm probe.
- Suitable for pressures up to 32 bar g at 239°C.
- No maintenance required.
- Positively retained probe tip.

Approvals:

The LP30 is also available with a ½" NPT screwed connection, approved to UL61010. **Please note that this version will not be CE marked and is not suitable for Europe.**

Caution:

The probe is not suitable for outside installation without additional environmental protection.

Available tip lengths mm (inches)

500 (19.7), 1 000 (39.4) and 1 500 (59).

Pressure/temperature limits

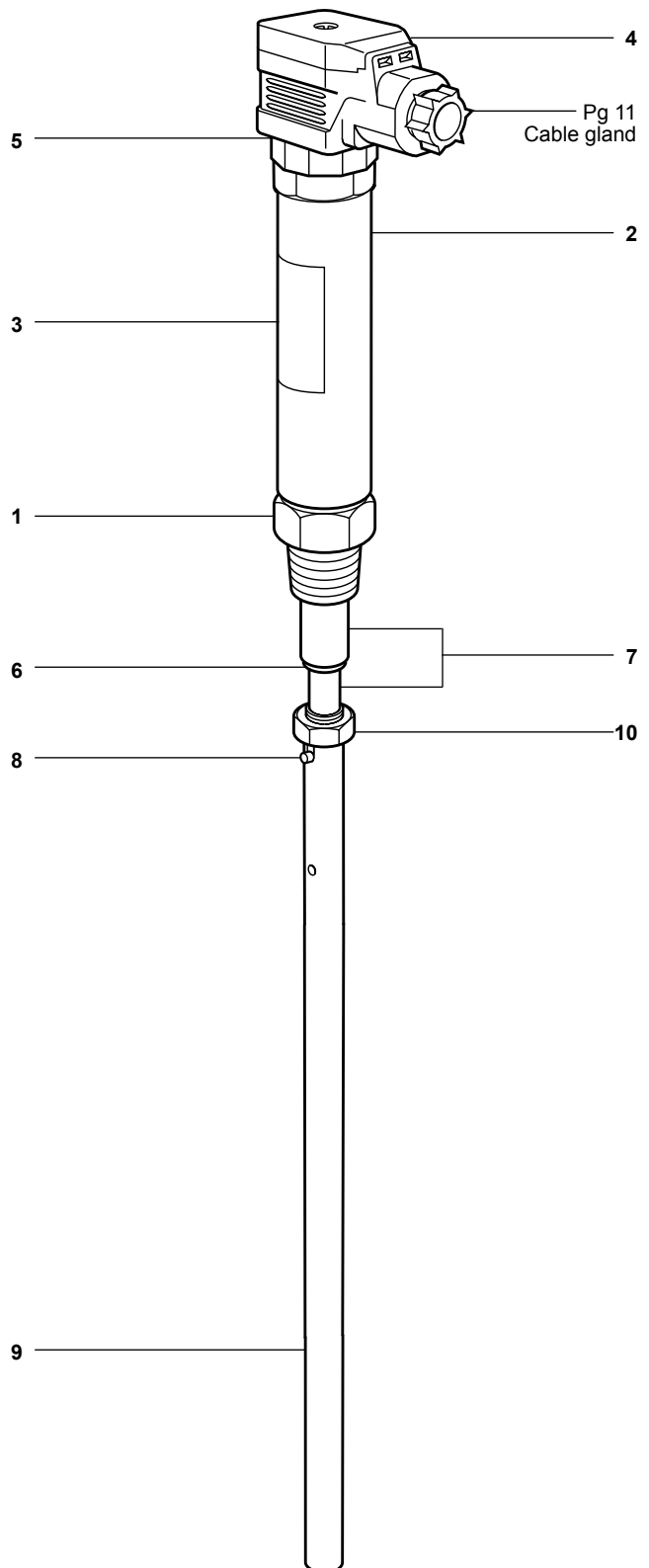
Nominal pressure rating	PN40
Maximum boiler pressure	32 bar g (464 psi g)
Maximum temperature	239°C (462°F)
Maximum ambient temperature	70°C (158°F)
Designed for a maximum cold hydraulic pressure test of:	60 bar g (870 psi g)

Technical data

Maximum probe cable length	50 metres (164 ft)
----------------------------	--------------------

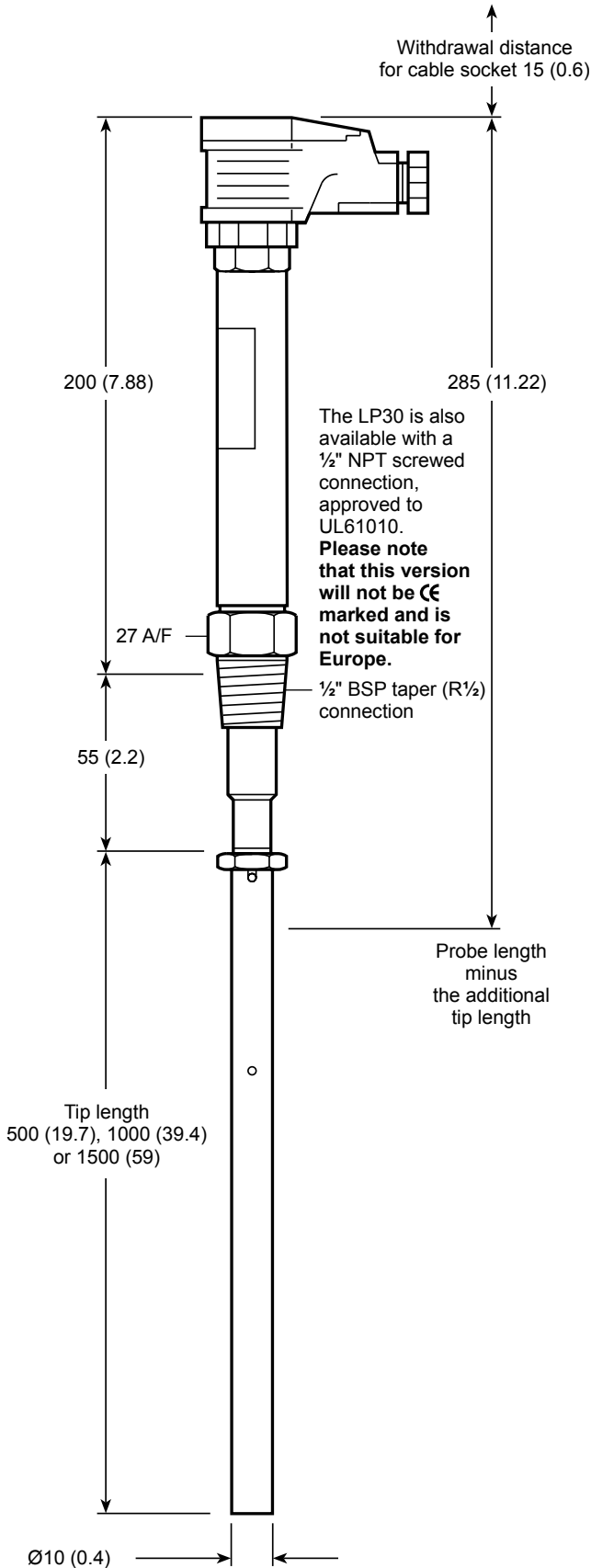
Materials

No.	Description	Material	
1	Probe body	Austenitic stainless steel	BS EN 10088-3 (1.4306)
2	Cover assembly	Austenitic stainless steel	Type 316L
3	Name-plate	Polycarbonate	
4	Cable socket and probe connector	Polyamide, glass filled	
5	Connector gasket	Silicone elastomer	
6	Comparator tip	Austenitic stainless steel	Type 316L
7	Primary insulator and secondary insulator	PTFE	BS 6564 Grade UA Type 1
8	Retaining pin	Austenitic stainless steel	Type 302/304
9	Probe tip	Austenitic stainless steel	Type 316L
10	Lock-nut	Austenitic stainless steel	BS 6105 A4 80



First for Steam Solutions

Dimensions (approximate) in millimetres (inches)



Safety information, installation and maintenance

This document does not contain sufficient information to install the product safely. See the Installation and Maintenance Instructions provided with each unit.

Installation note:

The probe is designed to work with a Spirax Sarco LC3050 controller. Two probes and controllers are normally fitted in steam boilers, giving first and second low alarms.

A protection tube is required for boiler shell or turbulent tank fitting.

Install the probe in a 1/2" BSP (1/2" NPT) female connection.

Note: Do not install the probe outdoors without additional weather protection.

Warning: It is essential that the probe tip of the LP30 low level alarm probe does not touch any part of the boiler. Standards require that the tip is at least 14 mm from the protection tube, and this must be checked when the probe is installed.

The product is supplied with a spring clearance checking set. Refer to separate literature for details. Spare sets are available - see Spare Parts.

Maintenance note:

No special maintenance is required. Boiler water level controls do, however, require periodic testing and inspection, which is described in separate literature.

How to specify

High integrity self-monitoring low level alarm probes shall be Spirax Sarco type LP30 with austenitic stainless steel bodies and probe tips, PTFE probe sleeving, and cable socket with Pg 11 cable gland. They must have a comparator tip to compensate for scaling, and a positively located probe tip. They must be used with an appropriate Spirax Sarco controller.

How to order

Example: 1 off Spirax Sarco LP30 high integrity, self-monitoring, low level alarm probe with 1 000 mm (39.4") tip.

Spare parts

The spare parts available are detailed below. No other parts are supplied as spares.

Available spares

LP30 tip retaining pins	Stock No. 4024780	Pack of 10
Spring clearance checking set	Stock No. 4024781	1 set (2 springs)

How to order spares

Always order spares by using the description given in the column headed 'Available spares' and state which product they are for.

Example: 1 off Spring clearance checking set for a Spirax Sarco LP30 high integrity, self-monitoring low level alarm probe.

Weight (approximate) in kg (lb) including immediate packaging

Tip length	Probe	500 mm (19.7")	1 000 mm (39.4")	1 500 mm (59")
Weight	0.51 (1.10)	0.32 (0.70)	0.63 (1.40)	0.92 (2.00)