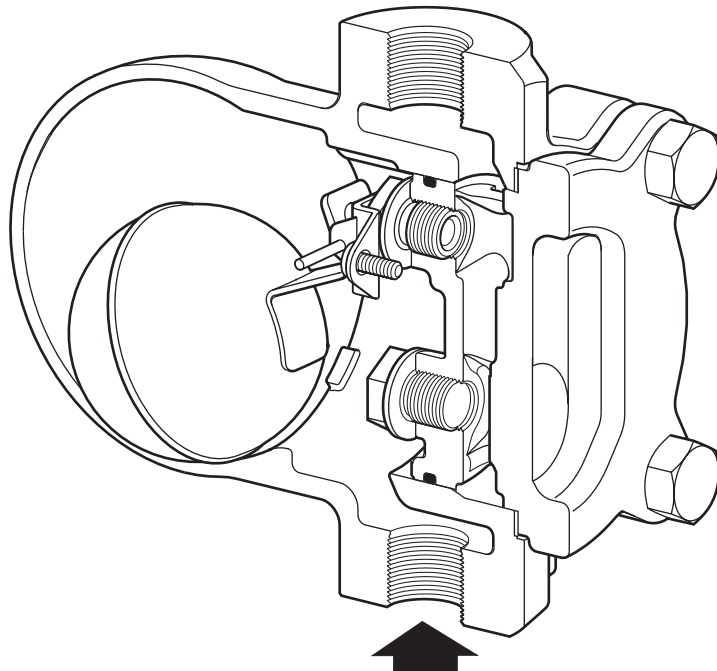




## AES14, AES14S and AES14E Austenitic Stainless Steel Automatic Air Vents for Liquid Systems




### Description

The AES14, AES14S and AES14E are austenitic stainless steel ball float type air vents for liquid systems. They are available with Viton, stainless steel and EPDM valve cones respectively. The connections are in the vertical plane for flow upwards. Body and cover castings are produced by a TÜV approved supplier in accordance with AD-Merkblatt WO/TRD100.

### Available types

<b>AES14</b>	fitted with a viton valve cone.
<b>AES14S</b>	fitted with a stainless steel valve cone.
<b>AES14E</b>	fitted with an EPDM valve cone.

### Standards

These products fully comply with the requirements of the Pressure Equipment directive (PED) and carry the  mark when so required.

### Certification

This product is available with certification to EN 10204 3.1.B.

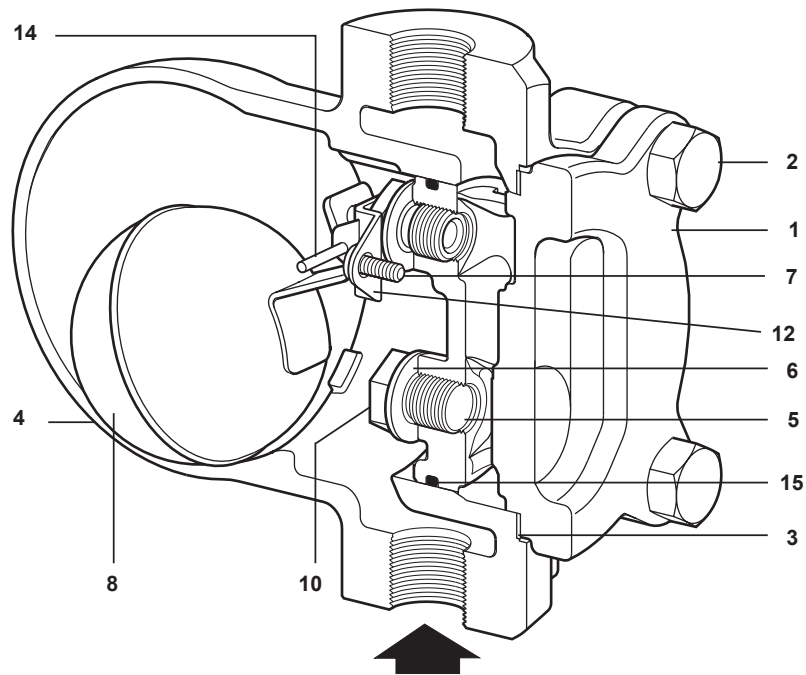
**Note:** All certification/inspection requirements must be stated at the time of order placement.

### Sizes and pipe connections

<b>½" and ¾"</b>	Screwed BSP (BS 21 and DIN 2999) or NPT (ANSI B 1.20.1).
<b>½" and ¾"</b>	Socket weld ends to ANSI B 16.11, BS 3799 Class 3000 and DIN 3239.

**Note:** For alternative connections please consult Spirax Sarco.

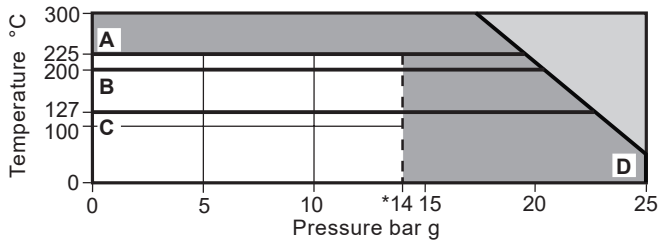
## Materials



No.	Part	Material		
1	Body	Austenitic stainless steel (316)	EN 10213-4 (1.4408) ASTM A351 CF8M	
2	Cover bolts	Stainless steel	BS EN 3506 A2-70	
3	Cover gasket	Reinforced exfoliated graphite		
4	Cover	Austenitic stainless steel (316)	EN 10213-4 (1.4408) ASTM A351 CF8M	
5	Main valve seat	Stainless steel	BS 970 431 S29	
6	Main valve seat gasket	Stainless steel		
7	Main valve assembly screws	Stainless steel		
8	Ball float and lever	Stainless steel	BS 1449 304 S16	
9 *	Valve cone	AES14	Viton	
		AES14S	Stainless steel	AISI 440B
		AES14E	EPDM	
10	Blanking plug	Stainless steel		
12	Pivot frame	Stainless steel		
14	Pivot pin	Stainless steel		
15	'O' ring	Grey viton complies with FDA CFR Title 21, Para 177, Section 2600		

\* **Note:** Item 9 is clearly identified in spare parts.

## Pressure/temperature limits (ISO 6552)



- The product **must not** be used in this region.
- The Viton and EPDM soft seat versions should not be used in this region or beyond their maximum operating temperature as damage to the internals may occur.

\*PMO Maximum operating pressure 14 bar g.

**A - D** Flanged ASME (ANSI) 300.

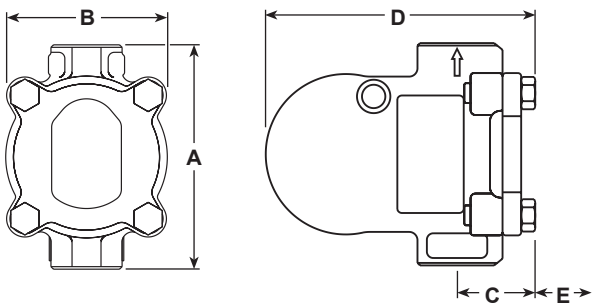
**B - D** Flanged EN 1092 PN40.

**C - D** Flanged ASME (ANSI) 150.

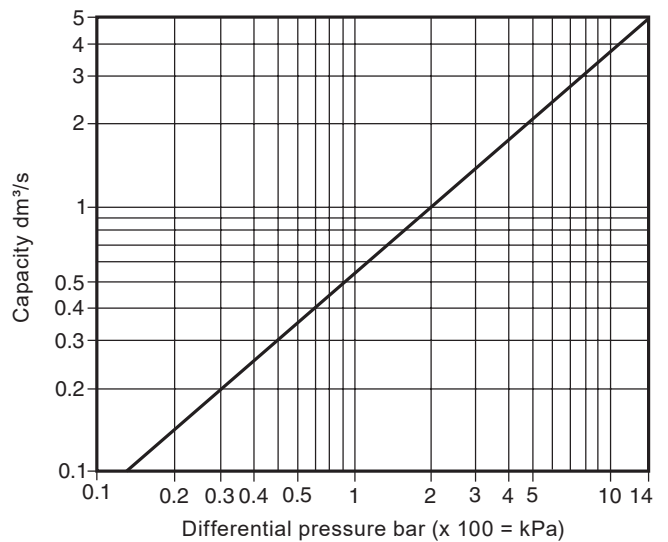
Body design conditions		PN25
PMA Maximum allowable pressure		25 bar g
TMA Maximum allowable temperature		300 °C
PMO Maximum operating pressure		14 bar g
	AES14	200 °C
TMO Maximum operating temperature	AES14S	225 °C
	AES14E	127 °C
Minimum operating temperature		-20 °C
<b>Note:</b> For lower operating temperatures consult Spirax Sarco.		
Designed for a maximum cold hydraulic test pressure of		37.5 bar g
Minimum specific gravity of liquid		0.75

## Dimensions/weights (approximate) in mm and kg

Size	A	B	C	D	E	Weight
	Withdrawal distance					
½"	135	97	48	162	135	3.73
¾"	135	97	48	162	135	3.73



## Capacities



## Safety information, installation and maintenance

For full details see the Installation and Maintenance Instructions (IM-P149-15) supplied with the product.

### How to order

**Example:** 1 off Spirax Sarco ½" AES14 austenitic stainless steel automatic air vent having screwed BSP connections.

### Spare parts

The spare parts available are shown in heavy outline. Parts drawn in a grey line are not supplied as spares.

#### Available spares

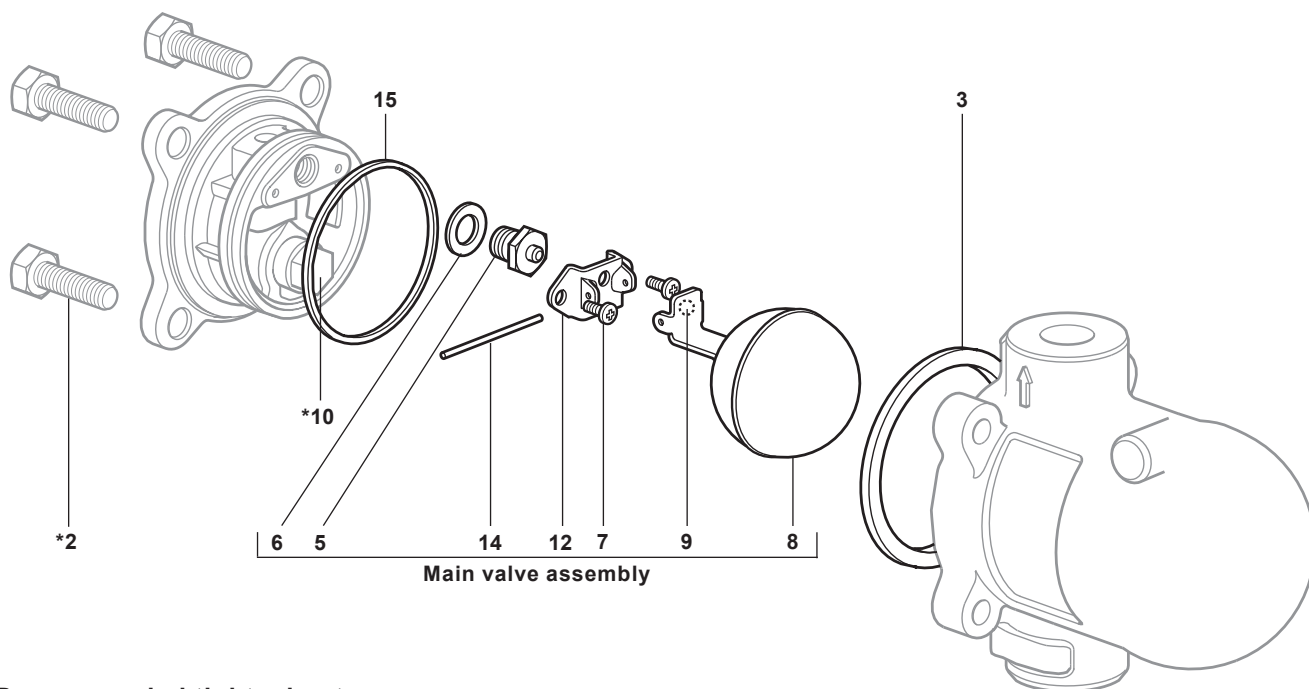
	AES14	<b>3, 5, 6, 7 (2 off) 8, 9, 12, 14, 15</b>
Maintenance kit	AES14S	<b>3, 5, 6, 7 (2 off) 8, 9, 12, 14, 15</b>
	AES14E	<b>3, 5, 6, 7 (2 off) 8, 9, 12, 14, 15</b>
Seal kit	(packet of 3)	<b>3, 15, 9*</b>

\* **Note:** One of each EPDM and Viton valve cones are supplied to fit as required.



### How to order spares

Always order spares by using the description given in the column headed 'Available spares' and state the size and type of trap.

**Example:** 1 - Maintenance kit for a Spirax Sarco ½" AES14 austenitic stainless steel automatic air vent.



#### Recommended tightening torques

Item	Part	 or  mm	N m
2 *	Cover bolts	M10 x 30	20 - 25
5	Main valve seat	17 A/F	50 - 55
7	Main valve assembly screws	Pozidrive M4 x 6	2.5 - 3.0
10 *	Blanking plug	17 A/F	50 - 55

\* **Note:** Items 2 and 10 are not available as spares.