

spirax sarco

AE30LV

Automatic Air Eliminator/ Air and Gas Vent for Liquid Systems

Description

The AE30LV range of automatic air eliminators/air vents for liquid systems have a lightweight float for use on liquids with a minimum specific gravity of 0.7 and a Viton valve cone for chemical resistance. The body and cap are of a special brass alloy which is dezincification resistant (DZR). It is available as a standard air and gas vent designated AE30LV and with check valve designated AE30LVA.

Standards

This product fully complies with the requirements of the Pressure Equipment Directive (PED).

Certification

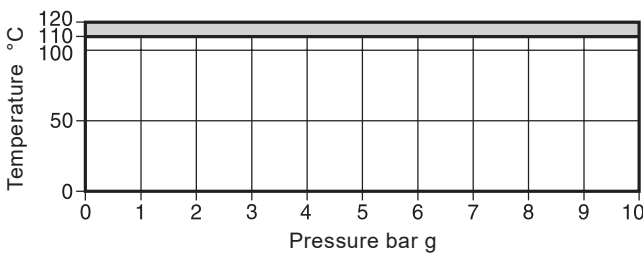
This product is available with a manufacturer's Typical Test Report.

Note: All certification/inspection requirements must be stated at the time of order placement.

Sizes and pipe connections

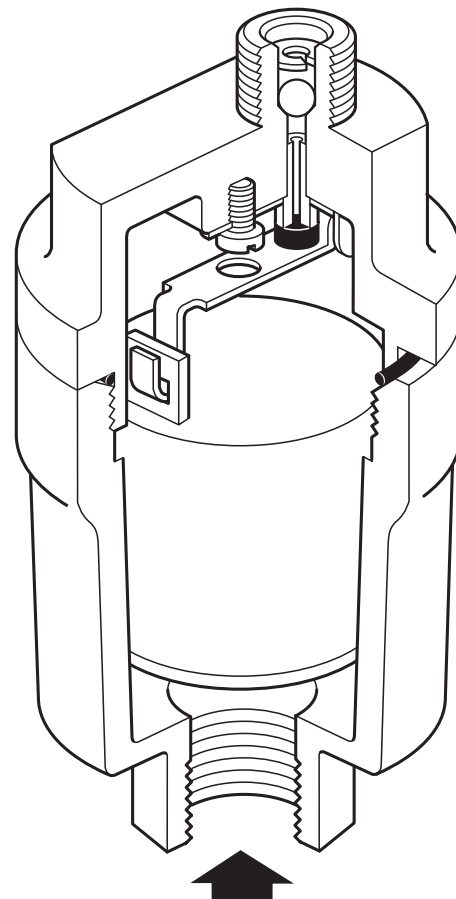
Inlet 1/2" female, outlet 1/4" male both BSP or NPT.

Pressure/temperature limits



The product should not be used in this region as damage to the internals may occur.

Body design conditions	PN10
PMA Maximum allowable pressure	10 bar g @ 120 °C
TMA Maximum allowable temperature	120 °C @ 10 bar g
Minimum allowable temperature	-10 °C
PMO Maximum operating pressure	10 bar g @ 110 °C
TMO Maximum operating temperature	110 °C at all pressures
ΔPMX Maximum differential pressure	3 bar g @ 110 °C
Minimum operating temperature	0 °C
Designed for a maximum cold hydraulic test pressure of:	15 bar g
Minimum specific gravity of liquid	0.7

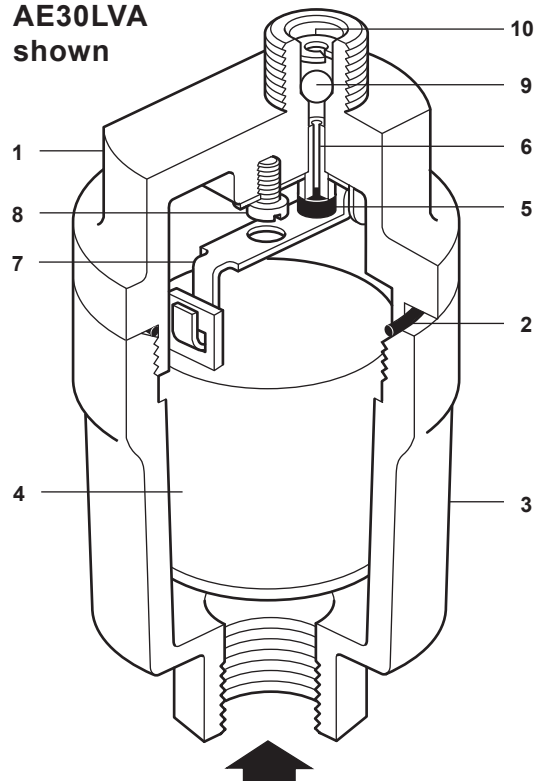


AE30LVA shown

Materials

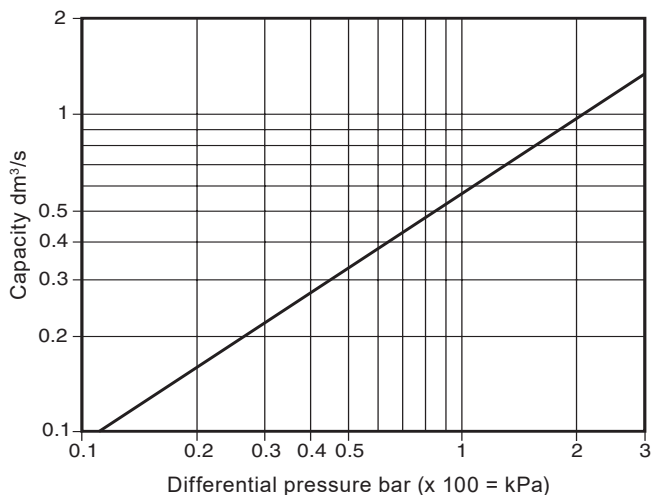
No.	Part	Material	
1	Cap	DZR brass alloy	BS 2872 CZ 132
2	Cap 'O' ring	Green Viton 75	
3	Body	DZR copper alloy	BS 2872 CZ 132
4	Float	Acetal co hostaform/stainless steel	
5	Valve cone	Synthetic rubber	Green Viton
6	Valve seat	Stainless steel	BS 970 431 S29
7	Bracket/lever assembly	Stainless steel	BS 1449 304 S11
8	Screw	Stainless steel	BS 4183 18/8
9	Check valve ball (AE30LVA)	Stainless steel	AISI 440 B
10	Circlip (AE30LVA)	Stainless steel	BS 970 302 S25

AE30LVA shown



Free discharge capacity

For air at 16 °C



If the temperature of the air differs from 16 °C, the discharge capacity from the graph can be corrected by multiplying it by the following equation:

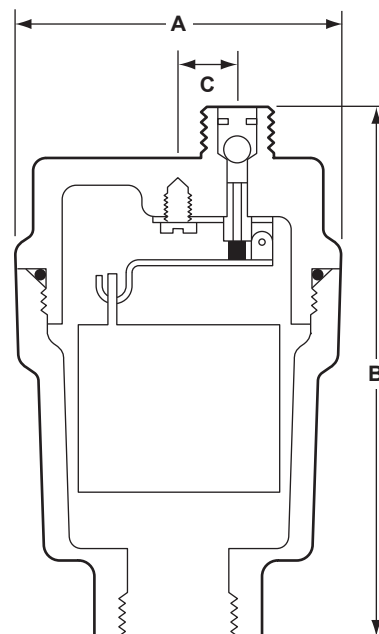
$$\frac{289}{273 + T} \quad (T \text{ is the actual temperature in } ^\circ\text{C})$$

It may be assumed that the temperature of the air is equal to the temperature of the water.

Dimensions/weight

(approximate) in mm and kg

A	B	C	Weight
56	105	10	0.7 kg



Safety information, installation and maintenance

For full details see the Installation and Maintenance Instructions (IM-P017-08) supplied with the product.

Installation note:

The automatic air vent should be installed vertically with the inlet at the bottom. We recommend piping the discharge from the air eliminator to a suitable safe place.

How to order

Example: 1 off Spirax Sarco ½" AE30LVA automatic air eliminator with check valve screwed BSP.

Spare parts

The spare parts available are shown in solid outline. Parts drawn in a grey line are not supplied as spares.

Available spares

Maintenance kit comprising:

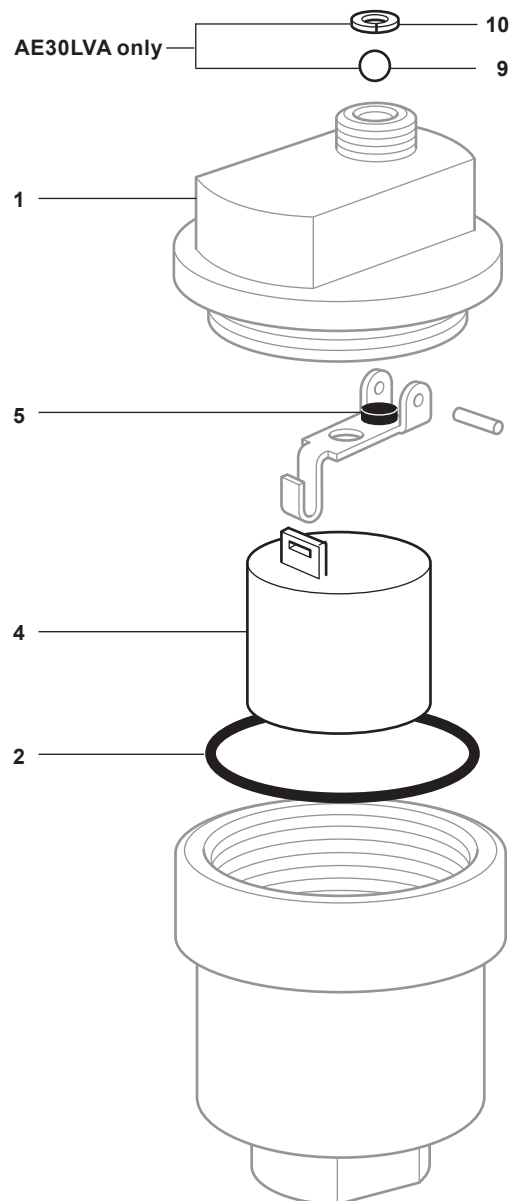
Valve cone, float, cap 'O' ring, check valve ball and check valve circlip

2, 4, 5, 9, 10



How to order spares

Always order spares by using the description given in the column headed 'Available spares' and state the size and type of automatic air eliminator/air vent.

Example: 1 - Maintenance kit for a Spirax Sarco ½" AE30LVA automatic air eliminator with check valve.



Recommended tightening torques

Item	 or mm		N m
1	30		10 - 12
8	Cheesehead	M4 x 6	