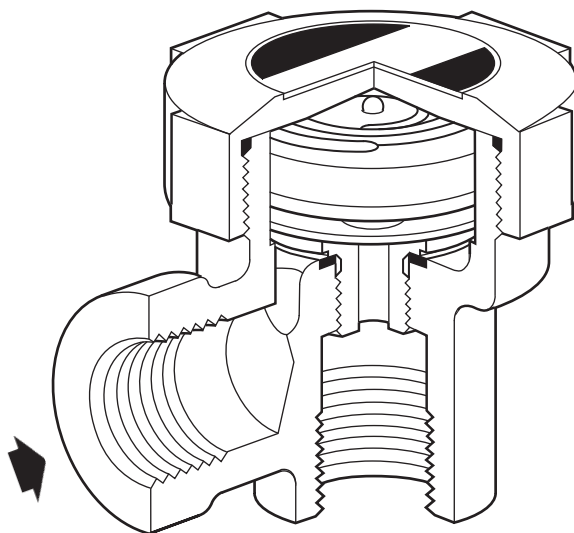




AV13

Air Vent for Steam Systems



Description

The AV13 is a maintainable balanced pressure thermostatic air vent with angled connections.

Standards

This product fully complies with the requirements of the Pressure Equipment Directive (PED).

Certification

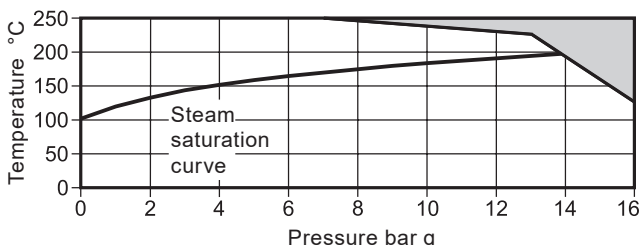
This product is available with a manufacturers' Typical Test Report.

Note: All certification/inspection requirements must be stated at the time of order placement.

Sizes and pipe connections

3/8", 1/2" and 3/4" screwed BSP (BS 21 parallel) or NPT.

Pressure/temperature limits (ISO 6552)



The product **must not** be used in this region.

Body design conditions	PN16
PMA Maximum allowable pressure	16 bar g @ 120 °C
TMA Maximum allowable temperature	250 °C @ 7 bar g
Minimum allowable temperature	-20 °C
PMO Maximum operating pressure	13 bar g @ 220 °C
TMO Maximum operating temperature	250 °C @ 7 bar g
Minimum operating temperature	0 °C
Designed for a maximum cold hydraulic test pressure of 24 bar g	

K_v value

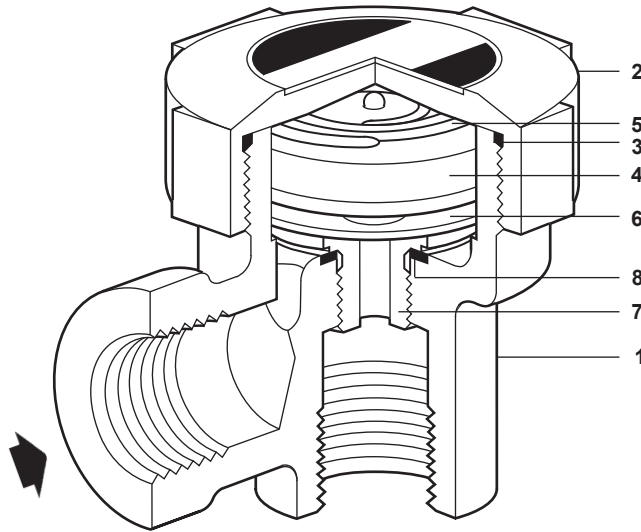
K_v value 0.45 (cold)

For conversion:

C_v (UK) = K_v x 0.963

C_v (US) = K_v x 1.156

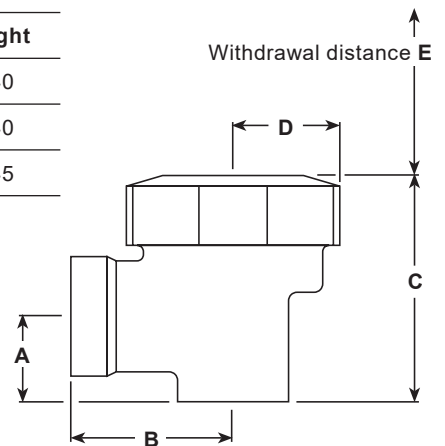
Materials



No.	Part	Material	
1	Body	Brass	BS EN 12165 CW 617N
2	Cap	Brass	BS EN 12165 CW 617N
3	'O' ring	Synthetic rubber high fluorine fluorocarbon	
4	Capsule	Stainless steel	
5	Spring	Stainless steel	BS 2056 302 S26
6	Spacer plate	Stainless steel	BS 1449 304 S16
7	Seat	Stainless steel	BS 970 431 S29
8	Seat gasket	Stainless steel	BS 1449 304 S11

Dimensions/weights (approximate) in mm and kg

Size	A	B	C	D	E	Weight
3/8"	18	32	49	25	55	0.40
1/2"	20	38	53	25	55	0.40
3/4"	27	40	62	25	55	0.45



Safety information, installation and maintenance

For full details see the Installation and Maintenance Instructions (IM-P010-07) supplied with the product.

Installation note:

The air vent should be positioned at the highest point of the main or plant where the air collects. The outlet should be piped to a safe place.

Disposal

The product is recyclable. No ecological hazard is anticipated with disposal of this product providing due care is taken. However, if the recycling process involves a temperature approaching 315 °C, caution is advised regarding decomposition of the fluorocarbon rubber component.

How to order

Example: 1 off ½" Spirax Sarco AV13 air vent screwed BSP.

Spare parts

The spare parts available are shown in solid outline. Parts drawn in a grey line are not supplied as spares.

Available spares

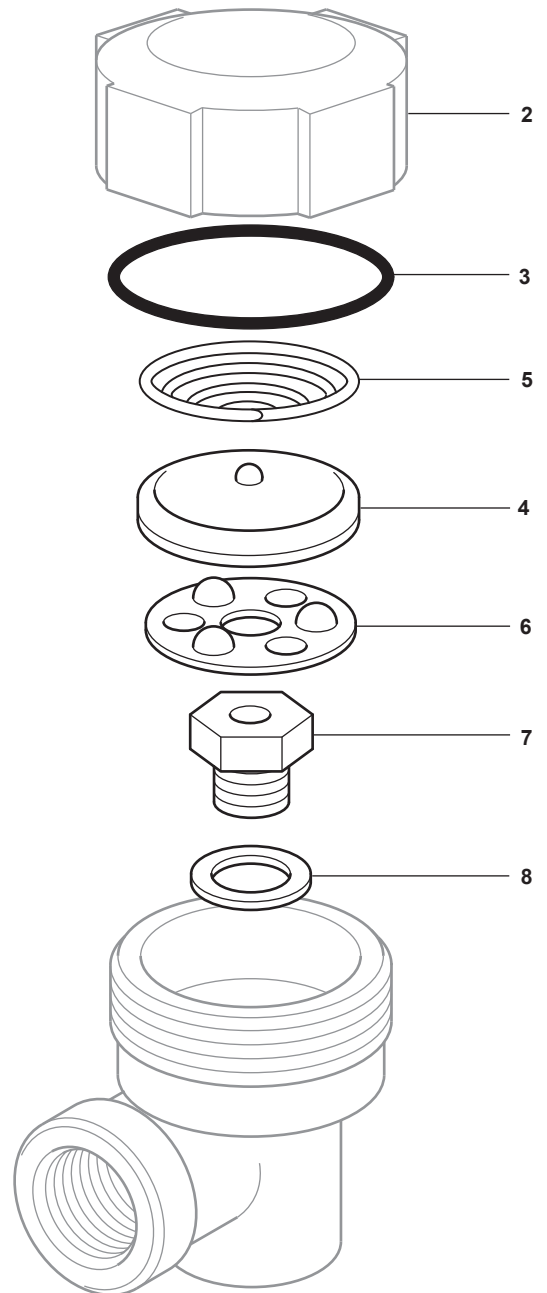
Capsule and seat assembly	3, 4, 5, 6, 7, 8
Cap gasket (earlier models) (packet of 3)	3
'O' ring (current models) 2 x (packet of 3)	3

Notes: Earlier models were fitted with conventional gaskets. Current models are fitted with an 'O' ring to seal cap.


How to order spares

Always order spares by using the description given in the column headed 'Available spares' and state the size and type of air vent.

Example: 1 - Capsule and seat assembly for ½" Spirax Sarco AV13.



Recommended tightening torques

Item	Part	 or mm	N m
2	Gasket	50 A/F	90 - 100
	'O' ring	50 A/F	50 - 60
7	Seat	17 A/F	35 - 40