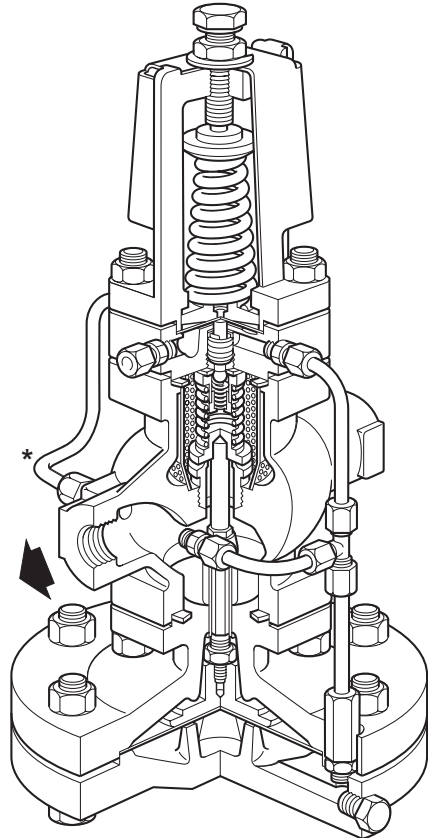


## Balance Pipe Assembly for the DP Type Valve Fitting Instructions

To replace the balance pipe assembly undo the 2 off pipe nuts (12 mm A/F) and remove pipe. Stud couplings may then be removed if required, replacement is the reverse of removal. A suitable high temperature sealant may be used on the steel DP143 couplings. To replace the pipe first place the pipe nut and ring (olive) over each end, insert the pipe into the couplings and tighten the pipe nuts to ensure an effective seal.

Full Installation and Maintenance Instructions (IM) are available from Spirax Sarco for each product range as listed below.

Valve type	IM reference
DP17, DP17E, DP17R	IM-P100-05
DP17T, DP17TE	IM-P101-04
DP27	IM-P470-03
37D, 37DE	IM-P102-04
DP143, DP163	IM-P006-07
SDP143	IM-P004-05



\* Balance pipe  
(downstream internal pressure sensing pipe)

**Typical DP type pressure reducing valve**