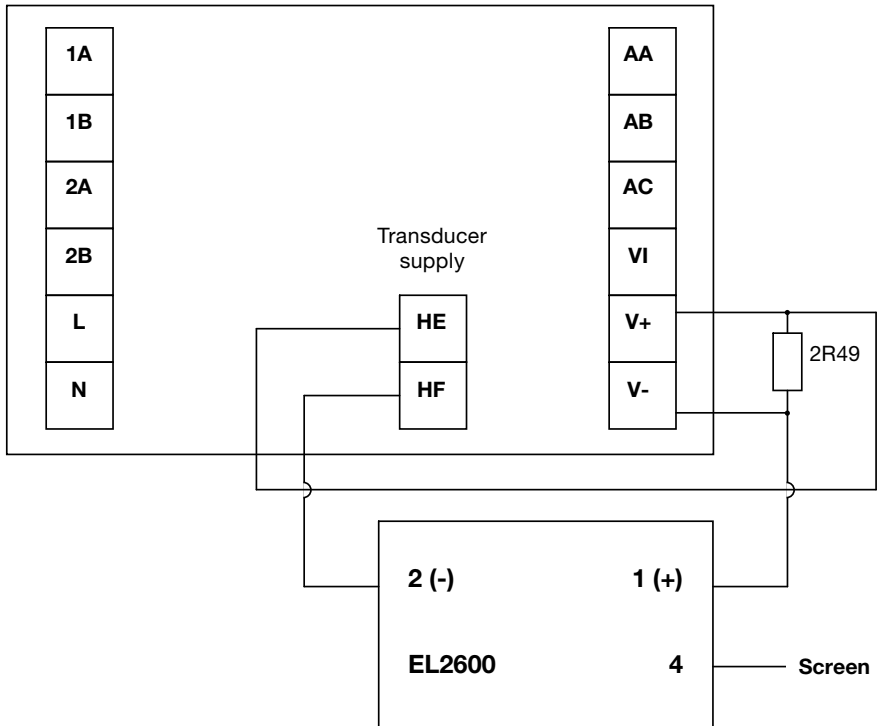


**Addendum to
IM-P323-32, IM-P323-33, IM-P323-34 and IM-P323-35
Wiring Diagram
for Connection of EL2600 Pressure Transmitter to
SX80 or SX90 controllers**

Warning: Safe operation of this product can only be guaranteed if it is properly installed, commissioned, used and maintained by qualified personnel as stated in the IMI supplied with the unit. It is the duty of the Company Safety Officer to ensure that the product specific data and Safety information within the supplied IMI has been fully understood and complied with. When using a loop powered pressure sensor like the Spirax Sarco EL2600 follow the wiring diagrams below for correct installation. We recommend connecting the sensor using an instrument grade shielded cable for optimum performance.

Wiring diagram for connecting the EL2600 transmitter SX80:



Wiring diagram for connecting the EL2600 transmitter SX90:

